

1/16 DIN

Temperature, Process, Strain Meters & PID Controllers

\$180
1/16 DIN meter
\$225
with 2 control outputs

- ✓ High Quality
- ✓ 5-Year Warranty
- ✓ High Accuracy $\pm 0.5^{\circ}\text{C}$ (0.9°F), 0.03% Reading
- ✓ First 1/16 DIN Controller with Totally Programmable Color Displays (Standard)
- ✓ User-friendly, Simple to Configure
- ✓ Free Software
- ✓ Full Autotune PID Control
- ✓ Universal Inputs: Thermocouple, RTD, Process Voltage/Current, Strain
- ✓ Embedded Ethernet connectivity

The NEWPORT® i16 is the popular 1/16 DIN size (48mm square) meter or controller. The meter (model "i1600") displays the process value and has no control outputs.

The controller is available with a single (model "i16") or dual display (model "i16D") that displays a set point along with the process value. The i16 display can be programmed to change color at any set point or alarm point. The i16 is the first 1/16 DIN controller with the option of both RS-232 and RS-485 in one instrument with both MODBUS serial protocol and the straightforward NEWPORT® ASCII protocol. And of course the i/16 is the first 1/16 DIN Controller that can connect directly to an ethernet network and features an embedded web server. NEWPORT® provides free configuration and data acquisition software for the iSeries on CD-ROM and for download off the Web.

The i16 enclosure has a NEMA 4 (IP65) rated front bezel. The electronics are removable from the front panel.



- ✓ First 1/16 DIN Controller Offering Both RS-232 and RS-485 Serial Communications in One Instrument (Optional)
- ✓ First 1/16 DIN Controller with Built-in Excitation, 24 Vdc, Standard
- ✓ First 1/16 DIN Instrument with Analog Output Selectable as a Control Output or as a Calibrated Retransmission of Process Variable

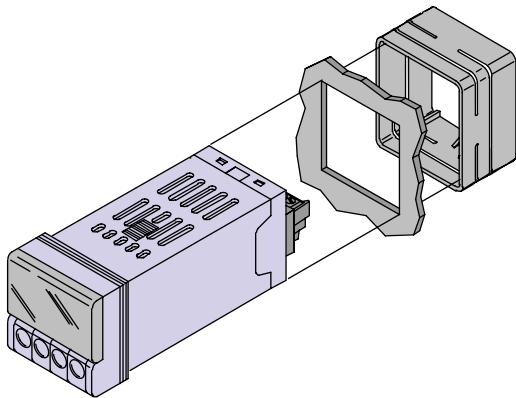
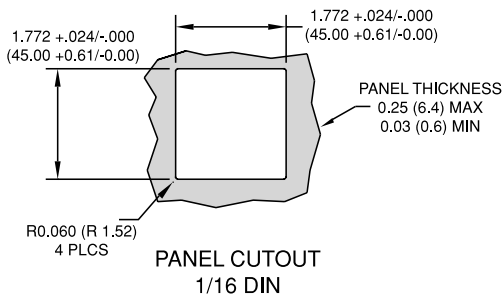
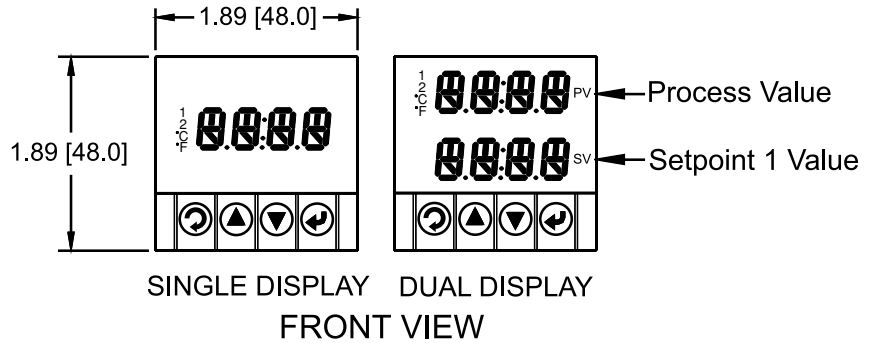
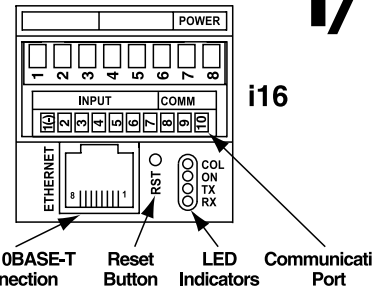
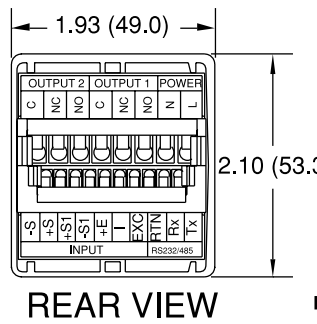
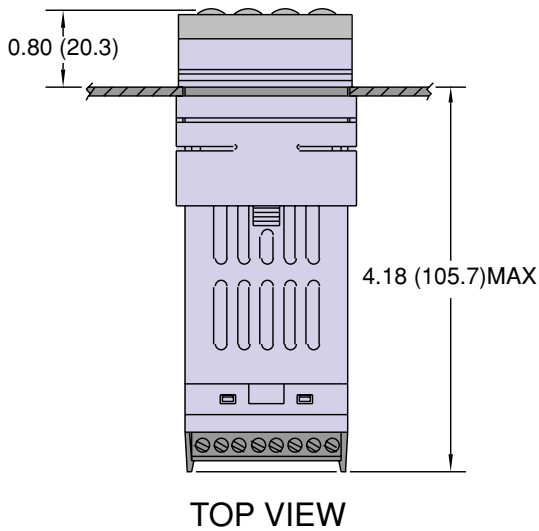
- ✓ NEMA-4, IP65 Front Bezel
- ✓ 2 Control or Alarm Outputs (Optional) dc Pulse, Solid State Relays (SSR's), Mechanical Relays, Analog Voltage & Current
- ✓ Temperature Stability $\pm 0.04^{\circ}\text{C}/^{\circ}\text{C}$ RTD and $\pm 0.05^{\circ}\text{C}/^{\circ}\text{C}$ TC @ 25°C (77°F)
- ✓ Front Removable and Plug Connectors



Access Vital information Anytime, Anywhere, on the World Wide Web



1/16 DIN Controller With Embedded Web Server, Dual Control Outputs, Dual Display



To Order (*Specify Model No.)

Model Number	Description	Price
i1600	Temperature/Process (Monitor only) 1/16 DIN	180
iS1600	Strain/Process (Monitor only) 1/16 DIN	230
CONTROL OUTPUTS #1 & 2 Direct (Cool) or Reverse (Heat) Acting		
i16	(*) (*) Temperature/Process with 2 Control Outputs	225
i16D	(*) (*) Temperature/Process Dual Display with 2 Control Outputs *1	245
iS16	(*) (*) Strain/Process with 2 Control Outputs	275
iS16D	(*) (*) Strain/Process Dual Display with 2 Control Outputs *1	295
	2 2 Two solid state relays (SSR's): 0.5 A @ 120/240 Vac continuous	N/C
	2 3 SSR and relay: Form "C" SPDT 3 A @ 120 Vac, 3 A @ 240 Vac	
	2 4 SSR and pulsed 10 Vdc @ 20 mA (for use with external SSR)	
	3 3 2 Relays: Form "C" SPDT 3 A @ 120 Vac, 3 A @ 240 Vac	
	4 2 Pulsed 10 Vdc @ 20 mA (for use with external SSR) and SSR	
	4 3 Pulsed 10 Vdc @ 20 mA (for use with external SSR) and relay: Form "C" SPDT 3 A @ 120 Vac, 3 A @ 240 Vac	
	4 4 Two pulsed 10 Vdc @ 20 mA (for use with external SSR)	
	5 2 Analog Output selectable as either control or retransmission of process value; 0 to 10 Vdc or 0-20 mA @ 500 ohm max. and SSR	
	5 3 Analog Output 0 to 10 Vdc or 0-20 mA @ 500 ohm max. and Relay	
	5 4 Analog Output 0 to 10 Vdc or 0-20 mA @ 500 ohm max. and Pulse 10 Vdc	
	-AL Limit Alarm Version (Alarm Menu, PID Control) ³	
	-SM Simplified Menu Version (ON/OFF Control, No PID) ⁴	

NETWORK OPTIONS

Option	Description	Price
-EI	Ethernet with Embedded Web Server *1	50
-C24	Isolated RS-232 and RS-485/422. 300 to 19.2k Baud *2	60
-C4EI	Ethernet with Embedded Web Server & Isolated RS-485/422 hub for up to 31 devices *1, *2	110

POWER SUPPLY

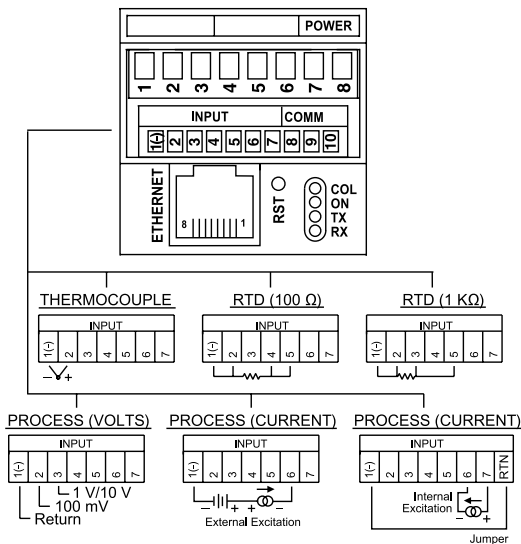
*	Standard power input: 90-240 Vac/dc, 50-400 Hz (no entry required)	N/C
-DC	12-36 Vdc, 24 Vac *2	25

FACTORY SETUP

-FS	Factory Setup and Configuration (req. -C24 Serial Communication option)	N/C
-----	---	-----

SOFTWARE (Requires Network Option)

Option	Description	Price
OPC-SERVER LICENSE	OPC Server/Driver Software License	295



Dimensions shown in inches (mm)

*1 Ethernet options are available for the i16D and iS16D Controller only.

*2 -DC, -C24 or -C4EI not available with excitation.

*3 Analog Output (Option 5) is not available with -AL units.

*4 Strain iS16 or iS16D is not available with -SM units.

ORDERING EXAMPLES: i16D44 is a 1/16 DIN dual display PID Controller with two pulse control outputs \$245.