

The DPM 750S-BL features a 200mV d.c. measurement range with auto-zero and auto-polarity. Decimal points are user selectable. The meter features a negative rail generator which enables the meter to measure a signal referenced to its own power supply GND. A low drift bandgap reference circuit ensures accurate readings over a wide temperature range. LED backlighting ensures excellent readability under low light conditions. The module's low cost means it will suit high and low volume applications. This module is supplied with a plastic mounting bezel. A waterproof seal to IP67 / NEMA 4X is achievable, using the optional BEZ 700-IP bezel.

FEATURES

- 12.7mm (0.5") Digit Height
- 200mV d.c. Full Scale Reading
- 3.0 to 7.5V or 6.0 to 15V d.c. Operation
- Auto-zero and Auto-polarity
- Programmable Decimal Points
- LED Backlighting (30mA @ 5V typ.)
- Low Battery Warning
- Bandgap Reference



TYPICAL APPLICATIONS

- Precision Instrumentation Systems
- Power Supply Monitoring
- Test Boxes
- Panel-Mount Indication
- Low Power Voltage Measurement

ORDERING INFORMATION

Standard Meter
IP67 / NEMA 4X Bezel

Stock Number
DPM 750S-BL
BEZ 700-IP

ELECTRICAL SPECIFICATIONS

Specification	Min.	Typ.	Max.	Unit	
Accuracy (overall error) *		0.1		% (±1 count)	
Linearity			±1	count	
Sample rate		2.5		samples/sec	
Operating temperature range	0		50	°C	
Temperature stability		50		ppm/°C	
Supply voltage	V+ to GND configuration	3	5	7.5	V d.c.
	V+ to V- configuration	6	9	15	V d.c.
Supply current	V+ to GND configuration		500		μA
	V+ to V- configuration		350		μA
Backlight supply voltage	4.75	5.0	**	V d.c.	
Backlight supply current @ 5V d.c.		30	50 ***	mA	
Input leakage current (Vin = 0V)		1	10	pA	

* To ensure maximum accuracy, re-calibrate periodically.

** An external series resistor is required above 5V, see Applications.

*** This specification linearly derates to 30mA @ 50°C.

Unless otherwise noted, specifications apply at $T_A = 25^\circ\text{C}$, $V_{\text{supply}} = 5\text{V d.c.}$ ($f_{\text{clock}} = 40\text{kHz}$) and are tested with the module configured for floating input mode.

SAFETY

To comply with the Low Voltage Directive (LVD 93/68/EEC), input voltages to the module's pins must not exceed 60Vdc. The user must ensure that the incorporation of the panel meter into the user's equipment conforms to the relevant sections of BS EN 61010 (Safety Requirements for Electrical Equipment for Measuring, Control and Laboratory Use).

LASCAR ELECTRONICS LTD.
MODULE HOUSE
WHITEPARISH
WILTSHIRE SP5 2SJ
UK
TEL: +44 (1794) 884567
FAX: +44 (1794) 884616
E-mail: sales@lascar.co.uk

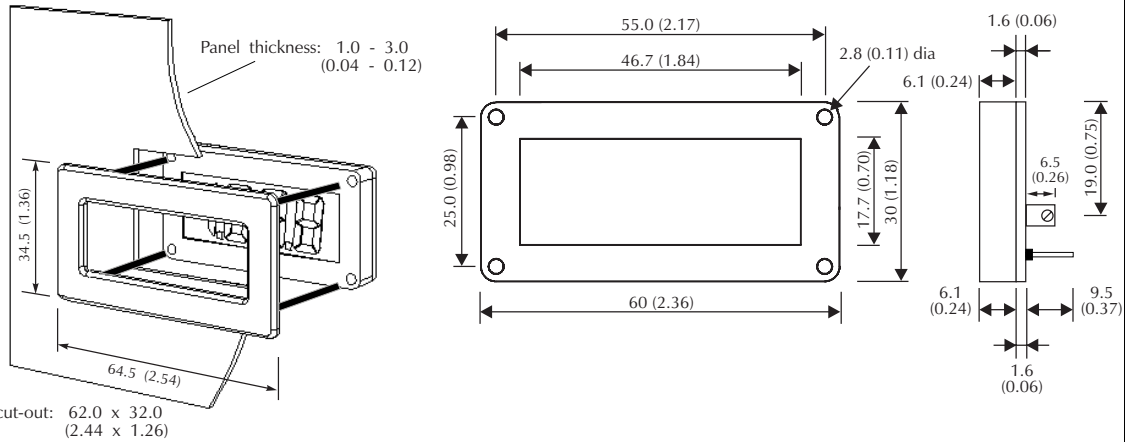
LASCAR ELECTRONICS INC.
3750 West 26th Street
Erie
PA 16506
USA
TEL: +1 (814) 835 0621
FAX: +1 (814) 838 8141
E-mail: us-sales@lascarelectronics.com

LASCAR ELECTRONICS (HK) LIMITED
UNIT NOS. 6-8, 19/F FUTURA PLAZA,
111-113 - HOW MING STREET,
KWUN TONG, KOWLOON,
HONG KONG
TEL: +852 2389 6502
FAX: +852 2389 6535
E-MAIL: purchasing@lascar.com.hk

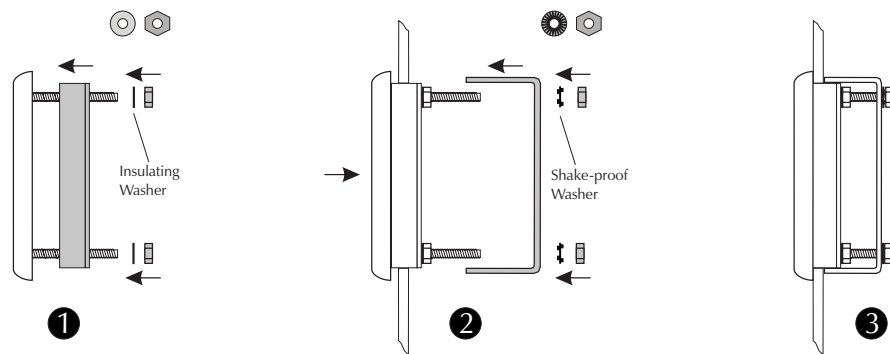


DIMENSIONS

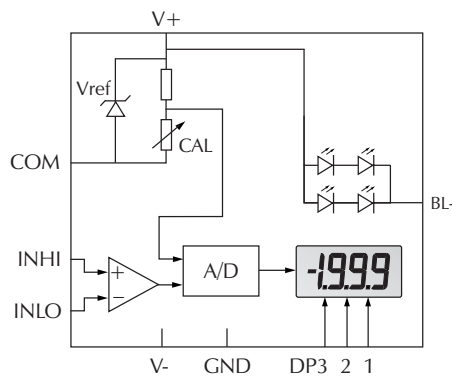
All dimensions in mm (inches)



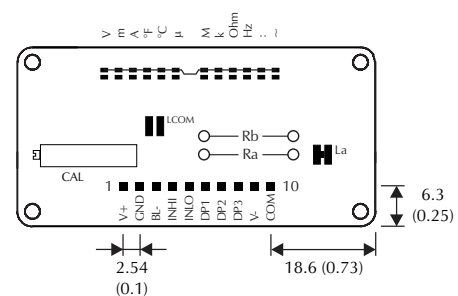
PANEL FITTING



FUNCTIONAL BLOCK DIAGRAM

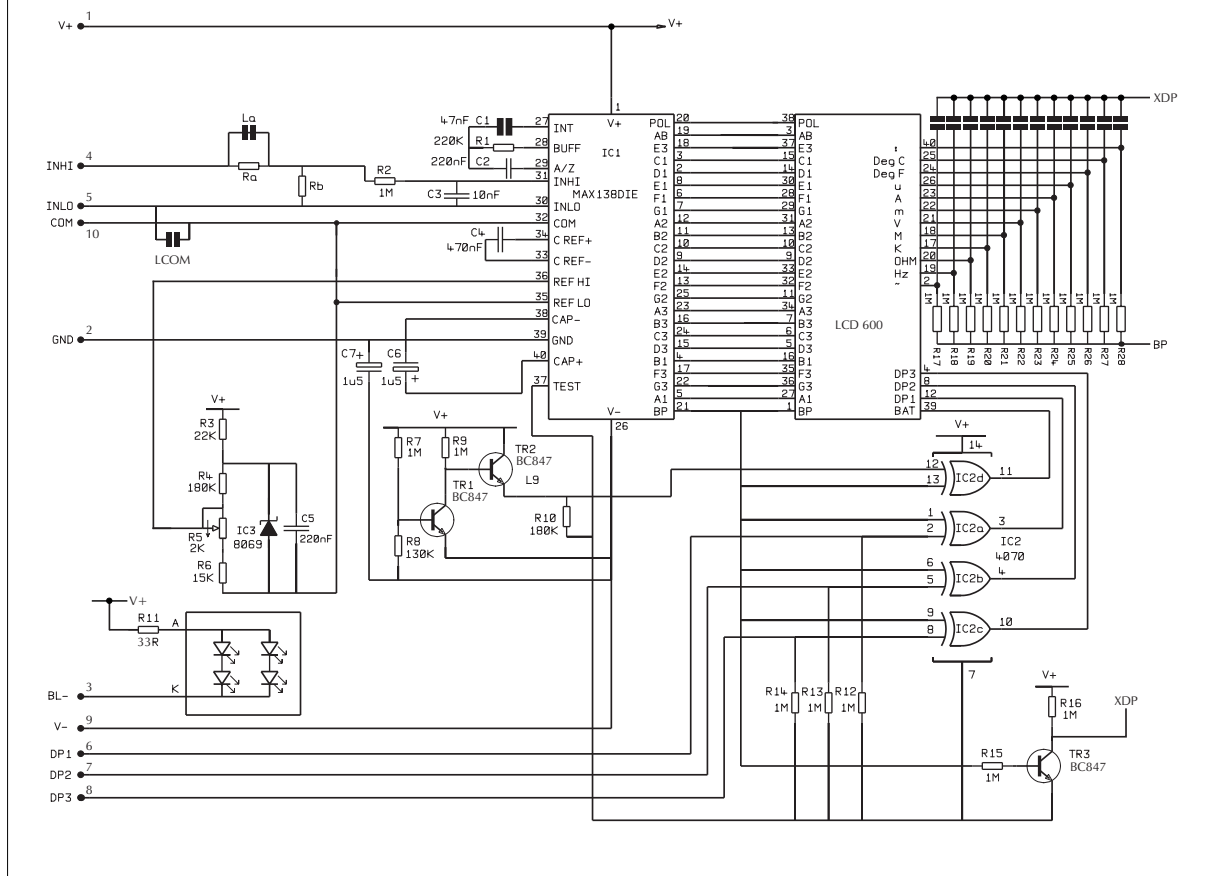


PIN CONFIGURATION (rear view)



Specifications liable to change without prior warning DPM 750S-BL Issue 3 November/2006 M.C. Applies to DPM 750S-BL/2

CIRCUIT DIAGRAM



PIN FUNCTIONS

1. V+ Positive power supply to the meter and LED backlighting.
2. GND 0V power supply to the meter.
3. BL- Negative power supply to the LED backlighting.
4. INHI Positive measuring input.
5. INLO Negative measuring input.
6. DP1 Connect to V+ to display DP1 (199.9).
7. DP2 Connect to V+ to display DP2 (19.99).
8. DP3 Connect to V+ to display DP3 (1.999).
9. V- Negative power supply to the meter.
10. COM Ground for the analogue section of the A/D converter.
It is actively held at 3.05V (nom.) below V+ and must not be allowed to sink excessive current (> 100µA) by, for instance, connecting to a higher voltage.

Note:

A negative supply is generated internally and mirrors the positive supply. For example: if V+ is +5V, then the internally generated V- is -5V. When measuring with the input referenced to the same supply rail as that of the panel meter, then the limitations on the input range are (V- + 1.5V) to (V+ - 1.5V).

SOLDER LINKS

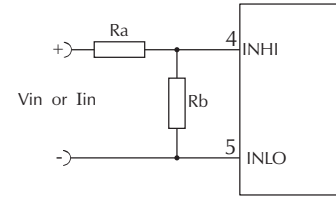
- LCOM Normally Open. When soldered, connects COM to INLO.
La Normally Closed. Short circuits the scaling resistor Ra, if Ra is fitted on the module.

SCALING

Two resistors Ra and Rb may be used to alter the full scale reading (FSR) of the meter - see table. The meter will have to be recalibrated by adjusting the calibration potentiometer on the rear of the module.

	FSR	Ra	Rb
Voltage Vin	2V	910k	100k
	20V	1M	10k
	200V	1M	1k
	2000V*	1M	100R
Current Iin	200µA	0R	1k
	2mA	0R	100R
	20mA	0R	10R
	200mA	0R	1R

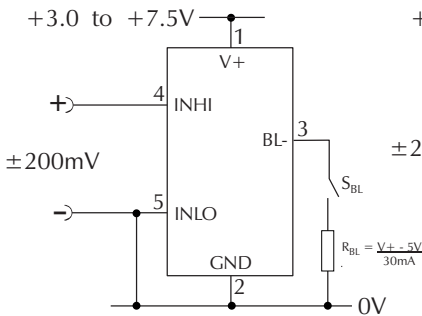
*Ensure that Ra is rated for high voltage use.



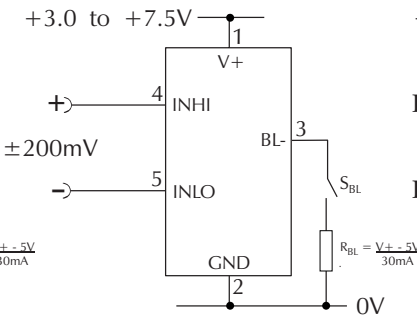
APPLICATIONS

Do not connect more than one meter to the same power supply if the meters cannot use the same signal ground. Taking any input beyond the power supply rails will damage the meter.

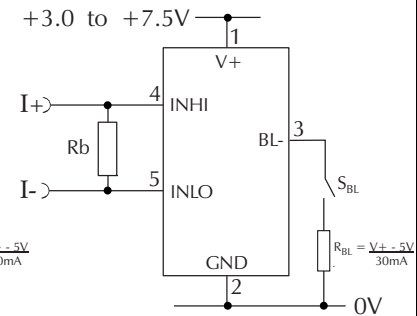
3.0 to 7.5V Meter Power Supply



Measuring a single ended input voltage referenced to supply, i.e. the input voltage and the meter's power supply share the same 0V rail. Ensure solder link LCOM is open.

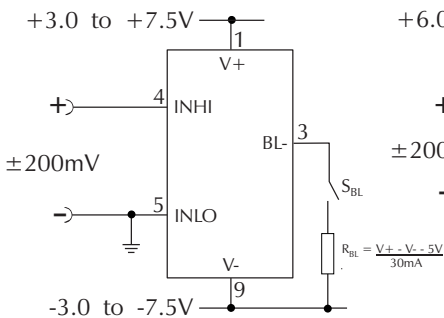


Measuring an input voltage referenced to a floating supply, i.e. the input voltage and the meter's power supply are isolated from each other. Ensure solder link LCOM is closed.

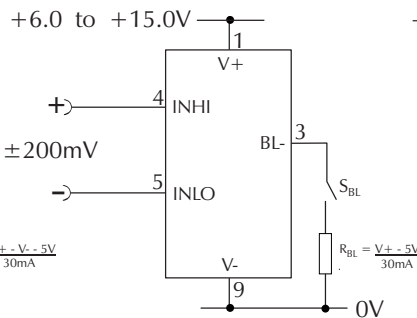


Measuring a current from a circuit which is floating with respect to the DPM's supply, i.e. the current and the meter's power supply are isolated from each other. Ensure solder link LCOM is closed.

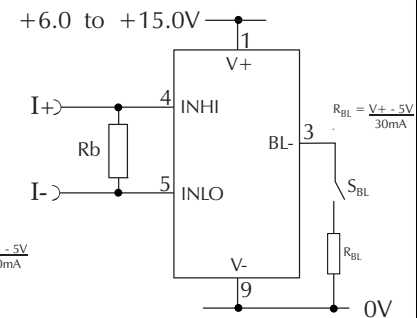
6.0 to 15.0V Meter Power



Measuring a single ended input voltage referenced to a split supply, i.e. the input voltage and the meter's power supply share the same 0V rail. Ensure solder link LCOM is open.



Measuring an input voltage referenced to a floating supply, i.e. the input voltage and the meter's power supply are isolated from each other. Ensure solder link LCOM is closed.



Measuring a current from a circuit which is floating with respect to the DPM's supply, i.e. the current and the meter's power supply are isolated from each other. Ensure solder link LCOM is closed.

Specifications liable to change without prior warning DPM 750S-BL Issue 3 November/2006 M.C. Applies to DPM 750S-BL/2