

## CODIX 529



### Your benefit

- galvanic isolation with protection against incorrect polarity
- autom. MIN/MAX value detection
- freely programmable characteristic curve end points

### Input range

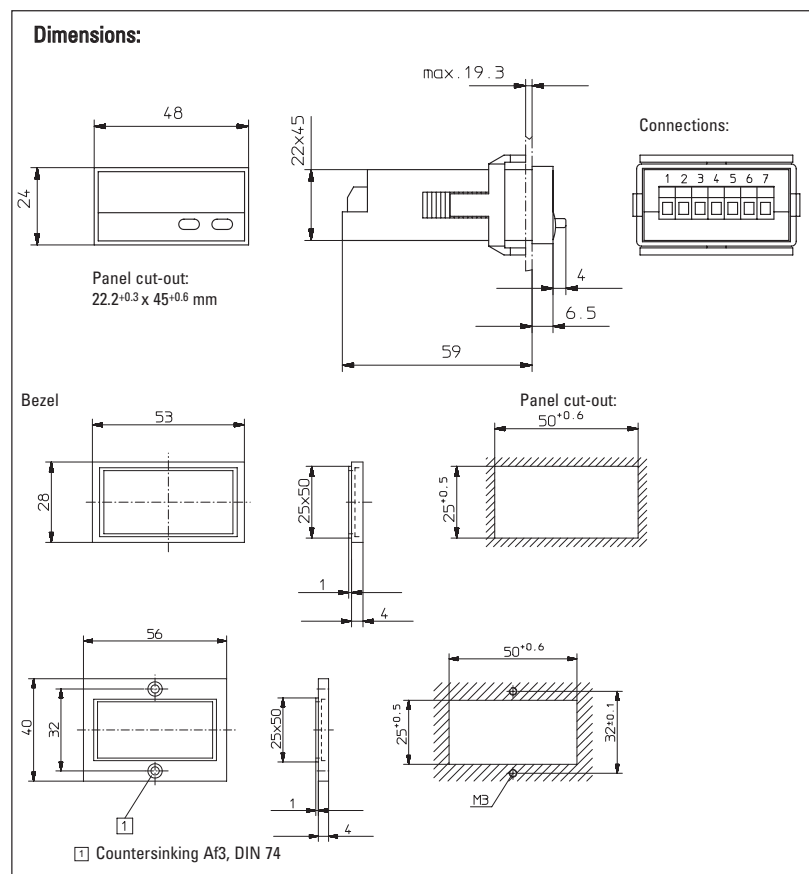
- 1 current measuring input,
- 1 voltage measuring input

### More advantages

- compact display for analog standard signals
- display range -19 999 ... 99 999 with leading zeros suppression
- modern industrial design
- input for Display-Hold

### Technical data

Supply voltage:	10 ... 30 V DC, galvanically isolated with integrated protection against incorrect polarity	Input current measurement:	0 ... 20 mA, 4 ... 20 mA voltage drop max 1.5 V DC
Current consumption:	max. 50 mA	Input voltage measurement:	0 ... 10 V, 2 ... 10 V input resistance app. 1 MΩ max. input signal level 30 V DC
Display:	5-digit display, red 7-segment LED's; height 8 mm	Control inputs:	High: 4 ... 30 V DC Low: 0 ... 2 V DC
Measuring rate:	2 measurements/second	Resolution:	14 bits
Data backup:	EEPROM	Accuracy:	< 0.1 % for the whole measuring range at an ambient temperature of 20 °C
Housing:	housing for control panel 48 x 24 mm acc. to DIN 43 700; RAL 7021, dark grey	Temperature drift:	< 70ppm/K <sub>Ambient</sub>
Ambient temperature:	-10 ... +50 °C	Weight:	app. 50 g
EMC:	according to EC EMC directive 89/36/EEC	Connection technique:	screw terminal, pitch 5.08 mm, 7 poles
Interference emissions:	EN 61 000-6-4/EN 55011 Class B		
Interference resistance:	EN 61000-6-2		
Protection:	IP65 (front)		



### Connections:

- 1 10 ... 30 VDC
- 2 GND
- 3 GND
- 4 Latch
- 5 0 (4) ... 20 mA
- 6 Analog GND
- 7 0 (2) ... 10 V DC

### Delivery includes:

- Digital display
- Panel mounting clip
- Bezel for clip mount, panel cut-out 50 x 25 mm
- Bezel for screw mount, panel cut-out 50 x 25 mm
- Seal
- Tack dry symbols
- Multilingual operating instructions

Accessories see Page 37

### Order Code:

**CODIX 529:** 6.529.012.300