

CODIX522 Frequency meter or tachometer

- High count speed, numerous programming options
- Scaling factor 0.0001 to 99.9999, division factor 0.00001 to 99.999
- Big keys for use when wearing gloves

Count frequency up to 60 kHz

Wide power supply range

Large, bright display, 8 mm high



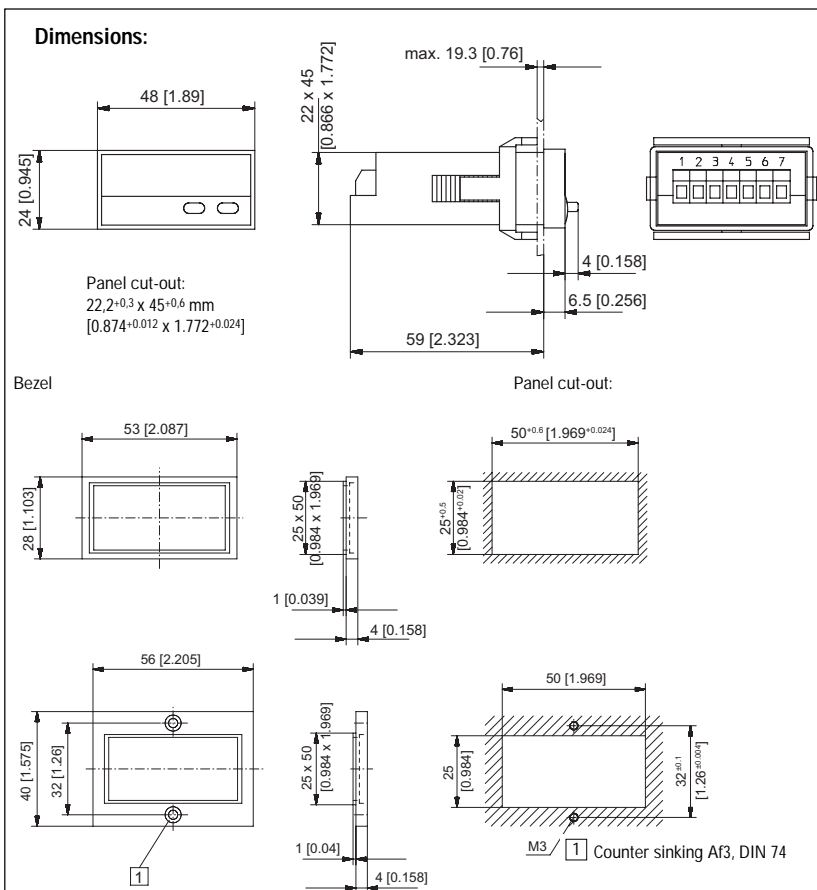
Fast, accurate (<0.1%)
tachometer measurement
HRA (High Rate Accuracy System)

Programmable, display in 1/sec or 1/min

Technical data:

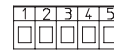
Power supply:	10 ... 30 V DC, with reverse polarity protection
Current consumption:	max. 50 mA
Display:	6-digit red 7 segment LED display; figures 8 mm [0.315"] high
Data retention:	EEPROM
Housing:	Dimensions 48 x 24 mm [1.89 x 0.945"] according to DIN 43 700; RAL 7021, grey
Polarity of the inputs:	programmable, npn or pnp
Input resistance:	approx. 5 kΩ
Count frequency:	max. 60 kHz, can be damped to 30 Hz
Measurement principle:	Time-base (gate time) or time-interval (process time) with high accuracy <0.1%

Level of the inputs:	Low: 0 ... 0,2 x U _B [V DC] High: 0,6 x U _B ... 30 V DC
Level of inputs: 5 V version	Low: 0 ... 2 V DC High: 4 ... 30 V DC
Optocoupler output:	Max. 30 V, 10 mA
Accuracy:	<0,1 %
Ambient temperature:	-10 ... +50 °C [14 °F ... 122 °F], non-condensing
Storage temperature:	-25 ... +70 °C [-13 °F ... 158 °F]
EMC:	according to EC EMC directive 89/36/EWG
Interference emission:	EN 61000-6-4/EN 55011 class B
Interference resistance:	EN 61000-6-2
Protection:	IP65 (front)
Weight:	approx. 50 g [1.764 oz]



Connection:

without optocoupler



- 1 10 ... 30 V DC
- 2 0 V GND
- 3 INP
- 4 -
- 5 -

Connection:

with optocoupler (nnp)



- 1 10 ... 30 V DC
- 2 0 V GND
- 3 INP
- 4 -
- 5 -
- 6 Emitter
- 7 Collector

Delivery specification:

- 1 Digital display
- 1 Panel mounting clip
- 1 Bezel for screw mounting,
panel cut out 50 x 25 mm [1.969 x 0.984"]
- 1 Bezel for clip mounting,
panel cut out 50 x 25 mm [1.969 x 0.984"]
- 1 Seal
- 1 Multilingual operating instructions

Order code:

6.522.01X.3X0

- Level of inputs
0 = Standard
A = 5 V
- Output
1 = Optocoupler
2 = no output