

## Micro Display counter K 04 ... K 07, shock resistant



- 4-, 5-, 6- and 7 digit Micro adding counter
- High shock resistance
- Low power consumption; suitable for battery consumption
- small dimensions
- Large optical figures
- Different viewing possibilities
- Flush mount with integrated spring clip
- PCB-mount versions
- Solderable and wash proof
- Protection IP 65

- Stores value also at power failure
- long service life
- certified (UL Underwriters Laboratories Inc.)

### Applications

charge counting, kWh registration alarm systems, compact units, copiers, fuel dispensers, medical equipment, miniature pumps, dosing machines, gates, general event counting

### Technical data:

Electrical Connection:	Built-in counter	Flying leads AWG 22 appr. 150 mm	Ambient temperature:	-10 ... +60 °C
	PCB counter:	Solder pins 0,4 x 1,2 mm	Mounting position:	any
Power consumption:	at 10 Imp/s (type 0):	appr. 50 mW	Operating life:	> 50 x 10 <sup>6</sup> pulses
(at 20 °C and normal voltage)	at 25 Imp/s (type 1):	appr. 250 mW	solderable and wash proof types	K 04.92, K 05.92, K 06.90, K 06.92, K 07.90
	at 10 Imp/s (type a0):	appr. 800 mVA	Protection:	K 04.92, K 05.92, K 06.90, K 06.92, K 07.90
Rated voltage:	type 0:	1.5/3/4.5/5/6/12 V DC -10 % +20 %		K 07.92: IP 65 (K 04.20, K 05.20, K 06.20, K 07.20: IP 65 only front side) others, depending from kind of mounting
	type 1:	3/4.5/5/6/12/24 V DC ± 10 %	UL-certified	File E43429
	type 4:	24 V DC -10 % +20 %	Housing:	clear plastic or steel (see table "Series") types with protection IP 65 are fully sealed enclosure
	type a0:	12/24/115/230 V AC ± 10 %	Weight	15 ... 18 g
Counting frequency:	max. 10 and 25 Imp/s		Options	K 0x.20
Pulse duration:	at 10 Imp/s (type 0 and a0): min. 50 ms			Flat pin 0.5 x 2.8 mm Art.-No.: 1.1X7XX0.XXX
	at 25 Imp/s (type 1): min. 20 ms			- different voltages
Pulse interval:	at 10 Imp/s (type 0 and a0): min. 50 ms			- version not potted
	at 25 Imp/s (type 1): min. 20 ms			- different figure colours
Cycle duration factor:	100 %			- different lengths of flying leads
Number of digits:	4, 5, 6 and 7			- different connections
Counting system	adding			- different temperature range, depends on version -30 ... +85 °C, -20 ... +70 °C
Height of figures	K 04, K 06: 1,7 x 4 mm optical			
	K 05, K 07: 1,2 x 4 mm optical			
Colour of figures:	white on black			
Reset:	no reset			

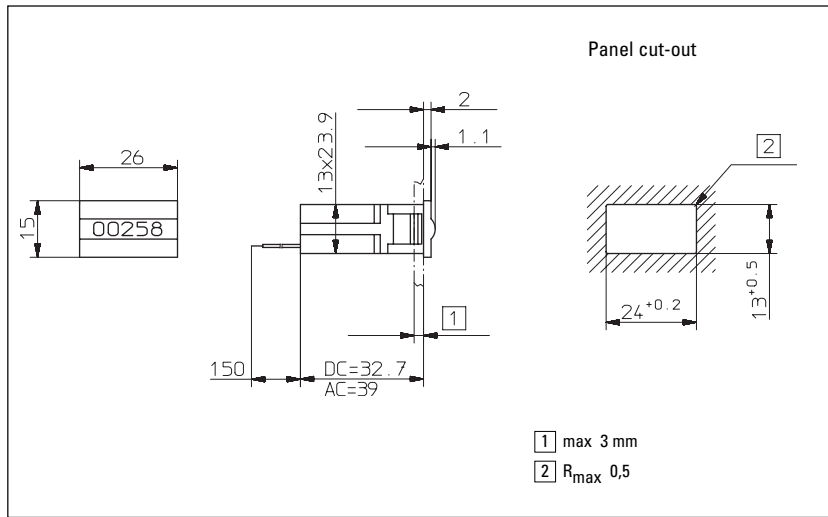
### Series:

4 digit	5 digit	6 digit	7digit	Housing	Display	Description
K 04.20	K 05.20	K 06.20	K 07.20	Plastic	Small side	Flush mount
K 04.40	K 05.40	K 06.40	K 07.40	Steel	Large side	PCB mount
K 04.50	K 05.50	K 06.50	K 07.50	Steel	Small side	PCB mount
K 04.80	K 05.80	K 06.80	K 07.80	Plastic	Small side	PCB mount
K 06.90	K 07.90			Plastic	Large side	PCB mount wash proof
K 04.92	K05.92	K 06.92	K 07.92	Plastic	Small side	PCB mount wash proof

### Ordering information

- Article number
- for options please give exact counter type, voltage and options e.g. K 06.20, 9 V DC/0 temperature range -20 °C ... +70 °C

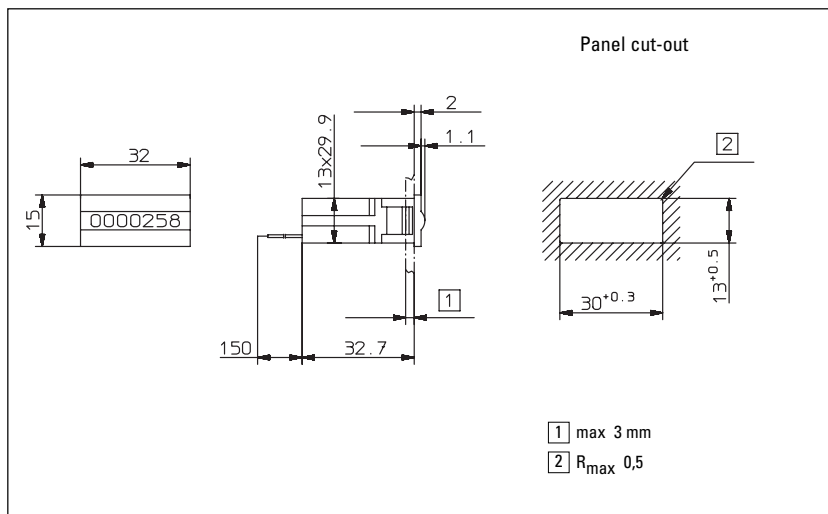
## Type K 04.20 and K 05.20



K 04.20	3 V	4.5 V	12 V	24 V	115 V	230 V
(4 digit)	Art.-No.	Art.-No.	Art.-No.	Art.-No.	Art.-No.	Art.-No.
DC (10 Imp/s)	1.100.200.006	1.100.200.008	1.100.200.012	1.100.200.418		
DC (25 Imp/s)			1.100.200.032	1.100.200.033		
AC (10 Imp/s)				1.100.200.051	1.100.200.054	1.100.200.056

K 05.20	3 V	4.5 V	12 V	24 V	115 V	230 V
(5 digit)	Art.-No.	Art.-No.	Art.-No.	Art.-No.	Art.-No.	Art.-No.
DC (10 Imp/s)	1.110.200.006	1.110.200.008	1.110.200.012	1.110.200.418		
DC (25 Imp/s)			1.110.200.032	1.110.200.033		
AC (10 Imp/s)				1.110.200.051	1.110.200.054	1.110.200.056

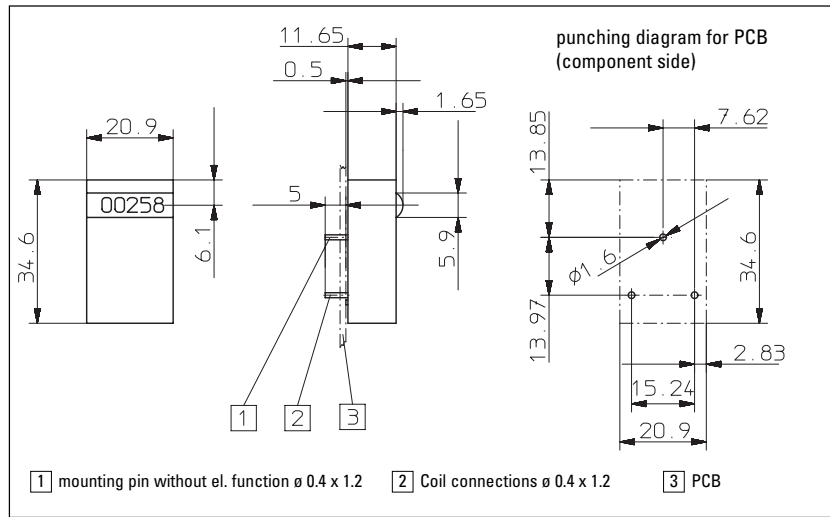
## Type K 06.20 and K 07.20



K 06.20	3 V	4.5 V	12 V	24 V	115 V	230 V
(6 digit)	Art.-No.	Art.-No.	Art.-No.	Art.-No.	Art.-No.	Art.-No.
DC (10 Imp/s)	1.120.200.006	1.120.200.008	1.120.200.012	1.120.200.418		
DC (25 Imp/s)			1.120.200.032	1.120.200.033		
AC (10 Imp/s)				1.120.200.051	1.120.200.054	1.120.200.056

K 07.20	3 V	4.5 V	12 V	24 V	115 V	230 V
(7 digit)	Art.-No.	Art.-No.	Art.-No.	Art.-No.	Art.-No.	Art.-No.
DC (10 Imp/s)	1.130.200.006	1.130.200.008	1.130.200.012	1.130.200.012		
DC (25 Imp/s)			1.130.200.032	1.130.200.033		
AC (10 Imp/s)				1.130.200.051	1.130.200.054	1.130.200.056

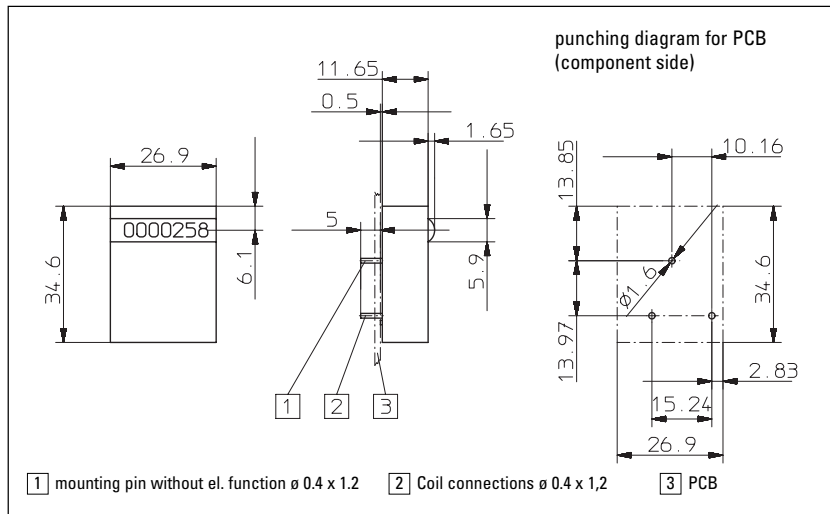
## Type K 04.40 and K 05.40



<b>K 04.40</b> (4 digit)	3 V Art.-No.	4.5 V Art.-No.	12 V Art.-No.	24 V Art.-No.
DC (10 Imp/s)	1.100.401.006	1.100.401.008	1.100.401.012	1.100.401.418
DC (25 Imp/s)			1.100.401.032	1.100.401.033

<b>K 05.40</b> (5 digit)	3 V Art.-No.	4.5 V Art.-No.	12 V Art.-No.	24 V Art.-No.
DC (10 Imp/s)	1.110.401.006	1.110.401.008	1.110.401.012	1.110.401.418
DC (25 Imp/s)			1.110.401.032	1.110.401.033

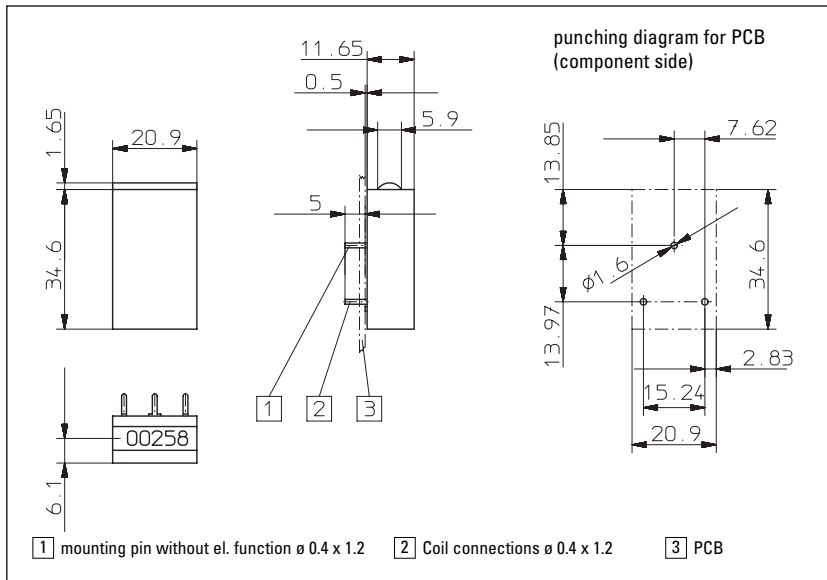
## Type K 06.40 and K 07.40



<b>K 06.40</b> (6 digit)	3 V Art.-No.	4.5 V Art.-No.	12 V Art.-No.	24 V Art.-No.
DC (10 Imp/s)	1.120.401.006	1.120.401.008	1.120.401.012	
DC (25 Imp/s)			1.120.401.032	1.120.401.033

<b>K 07.40</b> (7 digit)	3 V Art.-No.	4.5 V Art.-No.	12 V Art.-No.	24 V Art.-No.
DC (10 Imp/s)	1.130.401.006	1.130.401.008	1.130.401.012	
DC (25 Imp/s)			1.130.401.032	1.130.401.033

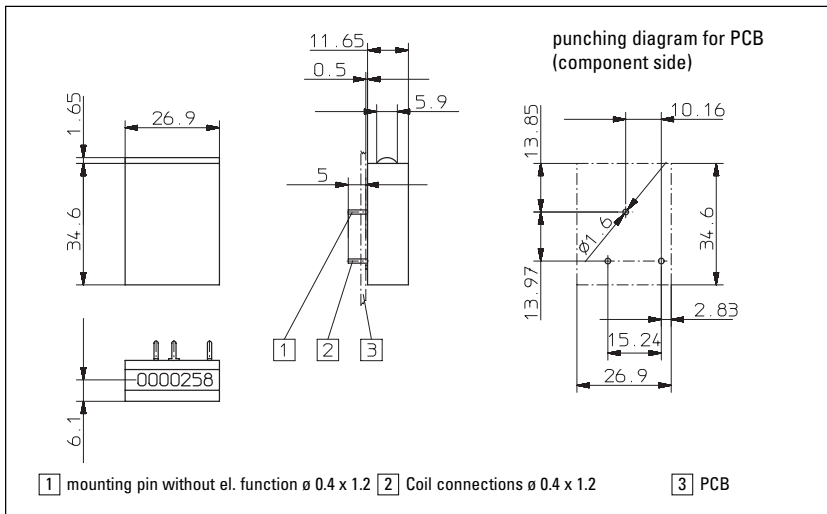
## Type K 04.50 and K 05.50



K 04.50 (4 digit)	3 V Art.-No.	4.5 V Art.-No.	12 V Art.-No.	24 V Art.-No.
DC (10 Imp/s)	1.100.501.006	1.100.501.008	1.100.501.012	1.100.501.418
DC (25 Imp/s)			1.100.501.032	1.100.501.033

K 05.50 (5 digit)	3 V Art.-No.	4.5 V Art.-No.	12 V Art.-No.	24 V Art.-No.
DC (10 Imp/s)	1.110.501.006	1.110.501.008	1.110.501.012	1.110.501.418
DC (25 Imp/s)			1.110.501.032	1.110.501.033

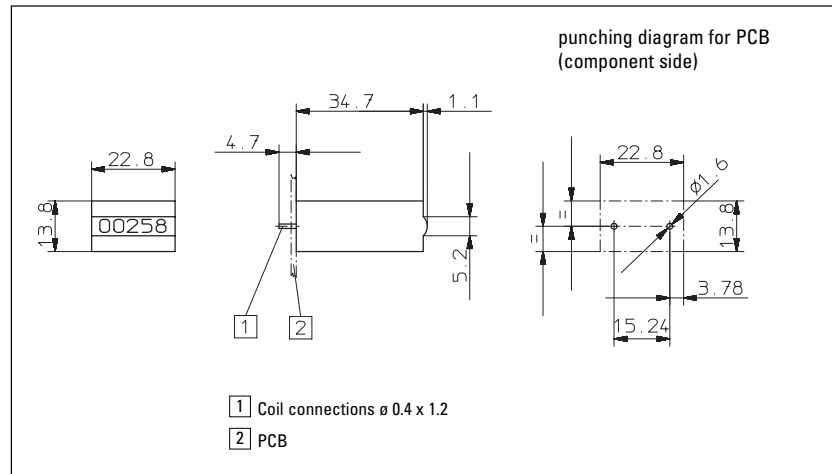
## Type K 06.50 and K 07.50



K 06.50 (6 digit)	3 V Art.-No.	4.5 V Art.-No.	12 V Art.-No.	24 V Art.-No.
DC (10 Imp/s)	1.120.501.006	1.120.501.008	1.120.501.012	1.120.501.418
DC (25 Imp/s)			1.120.501.032	1.120.501.033

K 07.50 (7 digit)	3 V Art.-No.	4.5 V Art.-No.	12 V Art.-No.	24 V Art.-No.
DC (10 Imp/s)	1.130.501.006	1.130.501.008	1.130.501.012	1.130.501.418
DC (25 Imp/s)			1.130.501.032	1.130.501.033

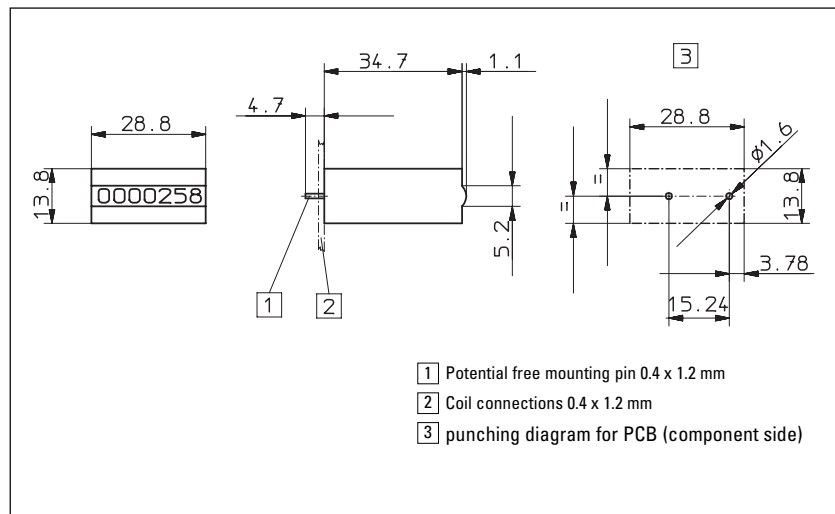
## Type K 04.80 and K 05.80



<b>K 04.80</b> (4 digit)	3 V Art.-No.	4.5 V Art.-No.	12 V Art.-No.	24 V Art.-No.
DC (10 Imp/s)	1.100.800.006	1.100.800.008	1.100.800.012	1.100.800.418
DC (25 Imp/s)			1.100.800.032	1.100.800.033

<b>K 05.80</b> (5 digit)	3 V Art.-No.	4.5 V Art.-No.	12 V Art.-No.	24 V Art.-No.
DC (10 Imp/s)	1.110.800.006	1.110.800.008	1.110.800.012	1.110.800.418
DC (25 Imp/s)			1.110.800.032	1.110.800.033

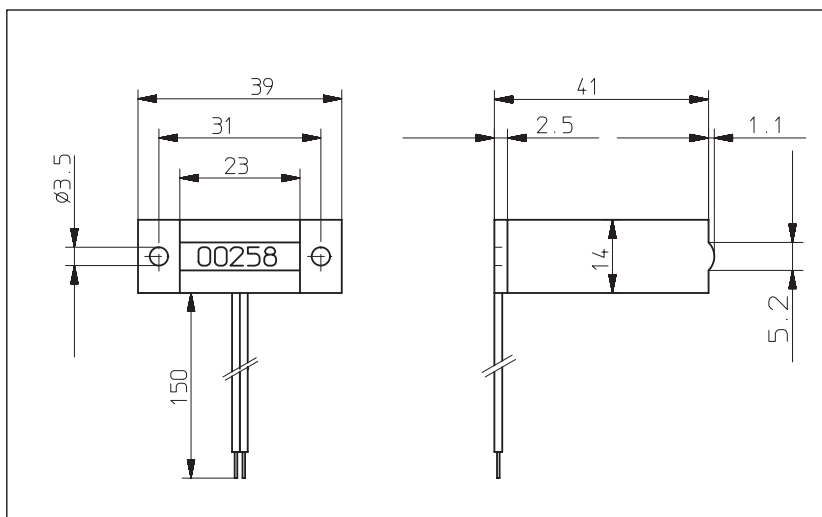
## Type K 06.80 and K 07.80



<b>K 06.80</b> (6 digit)	3 V Art.-No.	4.5 V Art.-No.	12 V Art.-No.	24 V Art.-No.	115 V Art.-No.	230 V Art.-No.
DC (10 Imp/s)	1.120.800.006	1.120.800.008	1.120.800.012	1.120.800.418		
DC (25 Imp/s)			1.120.800.032	1.120.800.033		
AC (10 Imp/s)				1.120.800.051	1.120.800.054	1.120.800.056

<b>K 07.80</b> (7 digit)	3 V Art.-No.	4.5 V Art.-No.	12 V Art.-No.	24 V Art.-No.	115 V Art.-No.	230 V Art.-No.
DC (10 Imp/s)	1.130.800.006	1.130.800.008	1.130.800.012	1.130.800.418		
DC (25 Imp/s)			1.130.800.032	1.130.800.033		
AC (10 Imp/s)				1.130.800.051	1.130.800.054	1.130.800.056

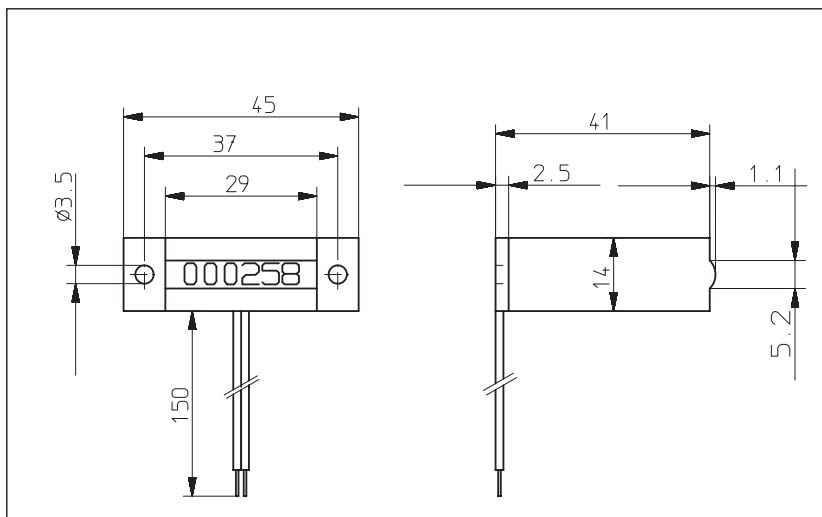
## AK 05.00



AK 05.00	3 V	4.5 V	12 V	24 V	115 V	230 V
(5 digit)	Art.-No.	Art.-No.	Art.-No.	Art.-No.	Art.-No.	Art.-No.
DC (10 Imp/s)	1.110.000.006	1.110.000.008	1.110.000.012	1.110.000.418		
DC (25 Imp/s)			1.110.000.032	1.110.000.033		
AC (10 Imp/s)				1.110.000.051	1.110.000.054	1.110.000.056

Display counter

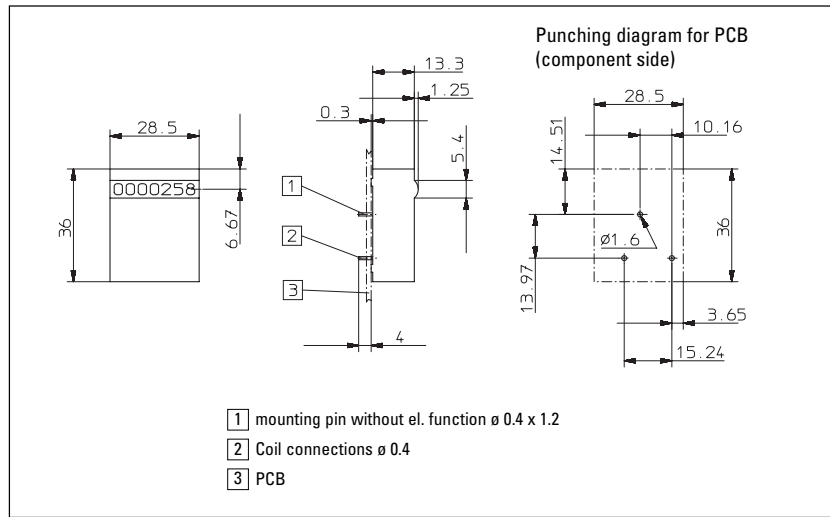
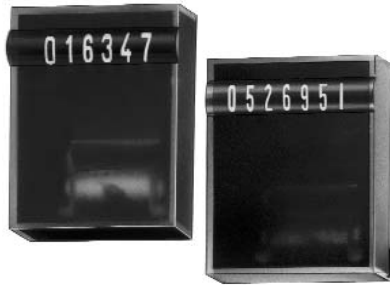
## Type AK 06.00 and AK 07.00



AK 06.00	3 V	4.5 V	12 V	24 V	115 V	230 V
(6 digit)	Art.-No.	Art.-No.	Art.-No.	Art.-No.	Art.-No.	Art.-No.
DC (10 Imp/s)	1.120.000.006	1.120.000.008	1.120.000.012	1.120.000.418		
DC (25 Imp/s)			1.120.000.032	1.120.000.033		
AC (10 Imp/s)				1.120.000.051	1.120.000.054	1.120.000.056

AK 07.00	3 V	4.5 V	12 V	24 V	115 V	230 V
(7 digit)	Art.-No.	Art.-No.	Art.-No.	Art.-No.	Art.-No.	Art.-No.
DC (10 Imp/s)	1.130.000.006	1.130.000.008	1.130.000.012	1.130.000.418		
DC (25 Imp/s)			1.130.000.032	1.130.000.033		
AC (10 Imp/s)				1.130.000.051	1.130.000.054	1.130.000.056

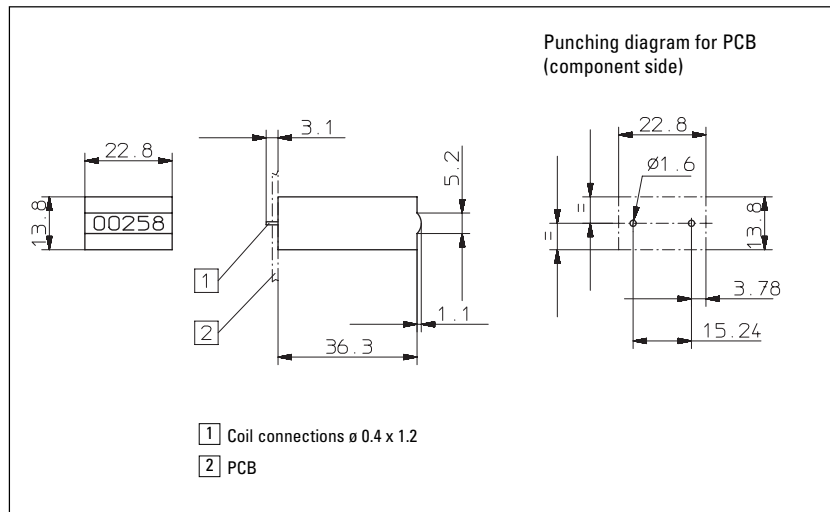
## Type K 06.90 and K 07.90



<b>K 06.90</b> (6 digit)	3 V Art.-No.	4.5 V Art.-No.	12 V Art.-No.	24 V Art.-No.	115 V Art.-No.	230 V Art.-No.
DC (10 Imp/s)	1.120.900.006	1.120.900.008	1.120.900.012	1.120.900.418		
DC (25 Imp/s)			1.120.900.032	1.120.900.033		
AC (10 Imp/s)				1.120.900.051	1.120.900.054	1.120.900.056

<b>K 07.90</b> (7 digit)	3 V Art.-No.	4.5 V Art.-No.	12 V Art.-No.	24 V Art.-No.	115 V Art.-No.	230 V Art.-No.
DC (10 Imp/s)	1.130.900.006	1.130.900.008	1.130.900.012	1.130.900.418		
DC (25 Imp/s)			1.130.900.032	1.130.900.033		
AC (10 Imp/s)				1.130.900.051	1.130.900.054	1.130.900.056

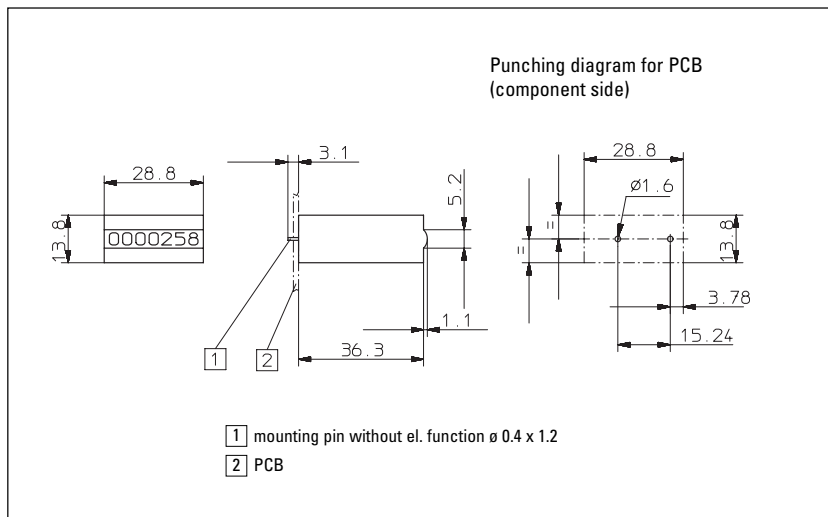
## Type K 04.92 and K 05.92



<b>K 04.92</b> (4 digit)	3 V Art.-No.	4.5 V Art.-No.	12 V Art.-No.	24 V Art.-No.
DC (10 Imp/s)	1.100.920.006	1.100.920.008	1.100.920.012	1.100.920.418
DC (25 Imp/s)			1.100.920.032	1.100.920.033

<b>K 05.92</b> (5 digit)	3 V Art.-No.	4.5 V Art.-No.	12 V Art.-No.	24 V Art.-No.
DC (10 Imp/s)	1.110.920.006	1.110.920.008	1.110.920.012	1.110.920.418
DC (25 Imp/s)			1.110.920.032	1.110.920.033

## Type K 06.92 and K 07.92



<b>K 06.92</b>	3 V	4.5 V	12 V	24 V	115 V	230 V
(6 digit)	Art.-No.	Art.-No.	Art.-No.	Art.-No.	Art.-No.	Art.-No.
DC (10 Imp/s)	1.120.920.006	1.120.920.008	1.120.920.012			
DC (25 Imp/s)			1.120.920.032	1.120.920.033		
AC (10 Imp/s)				1.120.920.051	1.120.920.054	1.120.920.056

<b>K 07.92</b>	3 V	4.5 V	12 V	24 V	115 V	230 V
(7 digit)	Art.-No.	Art.-No.	Art.-No.	Art.-No.	Art.-No.	Art.-No.
DC (10 Imp/s)	1.130.920.006	1.130.920.008	1.130.920.012			
DC (25 Imp/s)			1.130.920.032	1.130.920.033		
AC (10 Imp/s)				1.130.920.051	1.130.920.054	1.130.920.056