



Panel Mount,
Rotary Thumbwheel
Reset



Panel Mount, Lock and Key Reset



Base Mount,
Knob Reset

Economical general purpose totalizers . . . with the strength required for severe industrial environments



The perfect totalizer for a wide range of industrial applications. Precision internal working parts are supported and protected by its die-cast frame and heavy duty enclosure. Available with popular AC and DC voltage ranges, mounting styles, and reset features.

- Designed for industrial duty
- Crisp modern styling
- Recognized by Underwriters Laboratories
- Very readable white on black characters
- Six digit capacity
- Count speed to 600 per minute
- AC models have non-rectified design
- Long service life in harsh environments
- Lock & key reset model protects counted totals

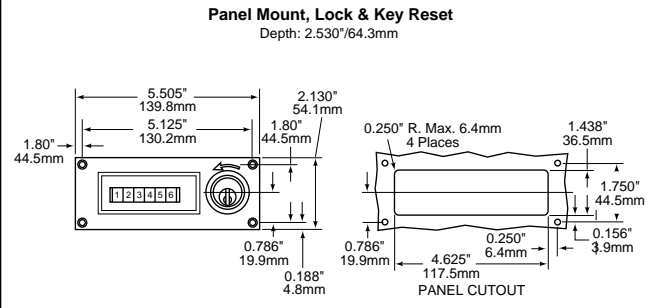
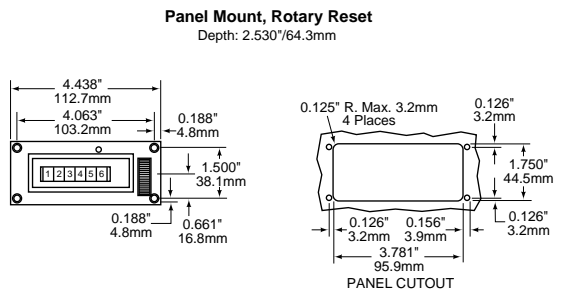
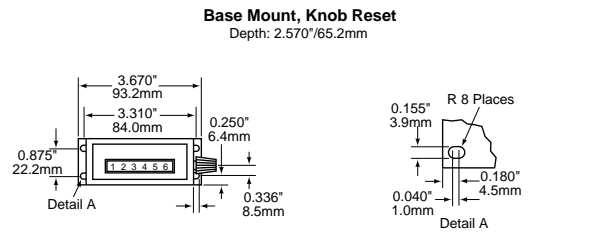
Series 7443 is a good choice for new applications requiring an industrial duty counter, or for updating existing installations. Applications with poorly conditioned AC power lines are no problem. Rectifiers, which frequently fail due to power surges and transients, are not used. Instead, a precision wound coil drives AC models of Series 7443.

Model No.	Description
744386-011	Base mount, knob reset, 115 VAC, UL/CSA
744396-017	Base mount, knob reset, 12 VDC, UL
744396-016	Base mount, knob reset, 24 VDC, UL
744396-012	Base mount, knob reset, 230 VAC, UL
744386-211	Panel mount, rotary thumbwheel reset, 115 VAC, UL/CSA
744396-243	Panel mount, lock and key reset, 24 VAC, UL
744386-241	Panel mount, lock and key reset, 115 VAC, UL/CSA

SPECIFICATIONS

- Speed:** 600 cpm, 50 ms minimum on-time and off-time
- Maximum on Time:** with 50% duty cycle, maximum permissible ON time is 5 minutes. Counter must not be energized continuously
- Voltage:** See models. Allowable variation $\pm 10\%$ (± 10 volts on 115 V and 230 V models)
- Power Consumption:** 6 watts nominal
- Number of Figures:** 6
- Size of Figures:** 0.188" high x 0.16" wide (4.8 mm x 4.0 mm)
- Reset:** See models
- Mounting:** Base or panel
- Connections:** 12" (305 mm), #22 AWG Leads from bottom
- Construction:** Wheels, pinions: verge: acetal resin. Frame, case: die-cast Zamak
- Net Weight:** Base Mount: 15 oz. (0.4 kg); Panel Mount: 1 lb. 2 oz. (0.5 kg); Lock and Key Reset: 1 lb. 6 oz. (0.6 kg)

Dimensions:



Typical Applications:

Packaging Line Shear

Ideal for punch presses, riveters, shears, packaging equipment, and many other factory-floor jobs.