



Compact LCD bi-directional counter modules available with or without front panel reset pushbutton

A very compact totalizing counter module for printed circuit board mounting. 8 digit, 8mm high, LCD display. Powered by an external lithium battery (not supplied), memory and operation are maintained for a typical life of 8 to 10 years.

Its bidirectional counting inputs, accepts count pulses on one input while a second input commands the counting direction.

PCB solder-pins are provided for electrical connections and molded posts are provided to align mounting position with holes in the host printed circuit board.

- 8 digit high contrast LCD characters
- Leading zero blanking
- Add & subtract operation
- Available with or without front panel reset
- Remote reset input
- External battery life of 8 to 10 years when using 1/2 AA, 900mAH, 3 volt lithium cell

Standard models are available with, or without, a front panel reset button. All models feature remote electronic reset to zero

SPECIFICATIONS

Supply voltage: 2.6 - 3.4VDC

Current consumption: Less than 10 μ A, typically 5 μ A

Display: 8 digit, 8mm high contrast LCD characters with leading zero blanking

High Speed Count Input: 5kHz maximum, positive edge triggered, 0.7v threshold, 100 μ S minimum pulse length, TTL/CMOS Compatible

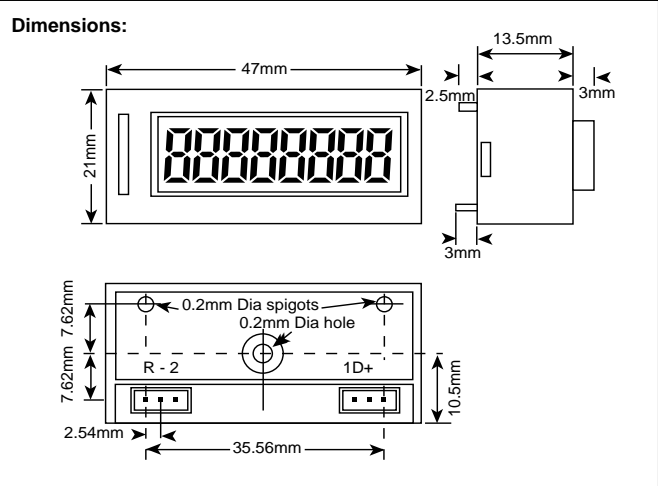
Low Speed Count Input: Contact closure/open collector input, 20Hz maximum, negative edge triggered, 0.7v threshold, 25mS minimum pulse length

Reset Input: Contact closure/open collector, negative edge triggered, 0.7v threshold, 15mS minimum pulse length

Direction Input: Electronic input TTL/CMOS Compatible. Add=logic 1, Subtract=logic 0(0V)

Operating temperature: -10°C to +60°C

Storage temperature: -20°C to +70°C



Model Number	Description
0799988-412	Totalizing Counter, with reset button
0799988-402	Totalizing Counter, without reset button

See Section 5 for matching MicroMITE elapsed time indicators. Models 799988-602/612