

DC RANGES

3 1/2

AC RANGES

DC MICROAMMETERS (Pivot & Jewel)

Range	Ω Res.	320-G	320-GL	320-GL/B	321-T	327-T
0-50	2300	152-0072 *	152-2135	152-2148	152-1642	152-1730
0-100	825	152-0074 *	152-2136	152-2149	152-1643	152-1731
0-200	360	152-0076	152-2137 *	152-2150	152-1644	152-1732
0-500	156	152-0079	152-2138	152-2151	152-1645	152-1733

DC MICROAMMETERS (Taut Band)

Range	Ω Res.	320-G	320-GL	320-GL/B	321-T	327-T
0-5	15,000	52-3071	152-2054	152-2088	152-1650	152-1738
0-10	7,500	152-0233	152-2055	152-2089	152-1651	152-1739
0-20	2,500	152-0235	152-2056	152-2090	152-1652	152-1740
0-50	825	152-0238	152-2057	152-2091	152-1653	152-1741
0-100	360	152-0254	152-2058	152-2092	152-1654	152-1742
0-200	156	152-0256	152-2059	152-2093	152-1655	152-1743
0-500	40	152-0259	152-2060	152-2094	152-1656	152-1744
0-1000	12.5	152-1290	152-2061	152-2222	152-1657	152-1745
50-0-50	360	152-0357	152-2182	152-2357	152-1658	152-1746
100-0-100	156	152-0358	152-2183	152-2358	152-1659	152-1747
500-0-500	12.5	152-0359	152-2184	152-2359	152-1660	152-1748
40-0-40	NULL	1.700	52-3744	52-6178	52-6642	—

DC MILLIAMMETERS

Range	Ω Res.	320-G	320-GL	320-GL/B	321-T	327-T
0-1	55	152-0081	152-2047 *	152-2196	152-1594	152-1682
0-5	8.5	152-0086	152-2050	152-2199	152-1597	152-1685
0-10	3.1	152-0088 *	152-2051	152-2200	152-1598	152-1686
0-25	2.0	152-0091	152-2053	152-2202	152-1600	152-1688
0-50	1.0	152-0093	152-2121	152-2283	152-1601	152-1689
0-100	.50	152-0095	152-2123	152-2285	152-1603	152-1691
0-200	.25	152-0097	152-2125	152-2287	152-1605	152-1693
0-500	.10	152-0100	152-2129	152-2291	152-1609	152-1697

DC AMMETERS

Range	Ω Res.	320-G	320-GL	320-GL/B	321-T	327-T
0-1	▲	152-0102	152-2230	152-2262	152-1612	152-1700
0-5	▲	152-0105 *	152-2232 *	152-2264	152-1614	152-1702
0-10	▲	152-0106	152-2233	152-2265	152-1615	152-1703
0-30	▲	152-0110	152-2236	152-2268	152-1618	152-1706
0-50	▲	—	152-2237	152-2269	152-1619	152-1707

A basic 0-50 Millivolt DC instrument; dial reads "DC AMPERES", shunt not included

0-50	—	52-3156	52-7446	52-7451	52-6128	52-7445
0-100	—	152-1294	52-6110*	52-7452	52-4728	52-4934
0-150	—	152-1293	52-6381	52-7453	52-5005	52-4968
0-200	—	152-1299	52-7447	52-7454	52-4729	52-4935
0-250	—	152-1312	52-7448	52-7455	52-5192	52-4936
0-300	—	52-3095	52-6108	52-7456	52-5967	52-4969
0-500	—	52-4426	52-6109	52-7457	52-5851	52-4970
0-750	—	152-1345	52-7449	52-7458	52-6083	52-6734
0-1000	—	152-1171	52-7450	52-7459	52-7444	52-6735

DC MILLIVOLTMETERS

Range	Ω Res.	320-G	320-GL	320-GL/B	321-T	327-T
0-50	6.7	152-0112	152-2258	152-2331	152-1620	152-1708
0-100	13.5	152-0113	152-2259	152-2332	152-1621	152-1709
0-150	20.2	152-0114	152-2260	152-2333	152-1622	152-1710

DC VOLTMETERS (1000 Ohms/Volt)

Range	Ω /Volt	320-G	320-GL	320-GL/B	321-T	327-T
0-5	1000	152-0122	152-2134	152-2360	152-1625	152-1713
0-10	1000	152-0124	152-2077	152-2361	152-1626	152-1714
0-25	1000	152-0127	152-2079	152-2362	152-1628	152-1716
0-30	1000	152-0128	152-2080	152-2363	152-1629	152-1717
0-50	1000	152-0129	152-2223	152-2185	152-1630	152-1718
0-100	1000	152-0131	152-2224	152-2186	152-1631	152-1719
0-150	1000	152-0132	152-2225	152-2187	152-1632	152-1720
0-200	1000	152-0133	152-2226	152-2188	152-1633	152-1721
0-250	1000	152-0134	152-2227	152-2189	152-1634	152-1722
0-300	1000	152-0135	152-2228	152-2190	152-1635	152-1723
0-500	1000	152-0136	152-2229	152-2191	152-1636	152-1724
0-1000	2000	152-0138	152-2254	52-6656	152-1638	152-1726
0-5000	2000	152-0142	152-2257	52-6655	152-1641	152-1729

AC MILLIAMMETERS

Range	Ω Res.	330-G	330-GL	330-GL/B	331-S	337-S
0-10	4000	153-0107	153-0614	153-0628	153-0486	153-0515
0-50	120	153-0112	153-0617	—	153-0489	153-0518
0-100	40	153-0128	153-0618	153-0632	153-0490	153-0519
0-250	5.9	153-0131	153-0620	—	153-0492	153-0521
0-500	1.55	153-0133	153-0621	153-0635	153-0493	153-0522

AC AMMETERS

Range	Ω Res.	330-G	330-GL	330-GL/B	331-S	337-S
0-1	▲ .38	153-0008 *	153-0605	153-0636	153-0465	153-0494
0-2	▲ .092	153-0010	153-0606	153-0637 *	153-0466 *	153-0495
0-3	▲ .039	153-0012	153-0607	153-0638	153-0467	153-0496
0-5	▲ .014	153-0013	153-0608 *	153-0639	153-0468	153-0497
0-10	▲ .004	153-0058 *	153-0609	—	153-0469	153-0498
0-15	▲ .003	153-0059	153-0610	—	153-0470	153-0499
0-25	▲ .002	153-0061 *	153-0611	—	153-0471	153-0500
0-30	▲ .001	153-0062 *	153-0612 *	—	153-0472	153-0501
0-50	▲ .00035	153-0063 *	153-0613	—	153-0473	153-0502

A basic 0-5 Ampere AC Instrument; dial reads "AC AMPERES", transformer not included

0-75	—	53-1248	53-1617	53-1904	53-1476	53-1312
0-100	—	53-1537	53-1753	53-1905	53-1494	53-1549
0-150	—	53-1538	53-1578	53-1906	53-1516	53-1260
0-200	—	53-1348	53-1891	53-1907	53-1544	53-1314
0-300	—	53-1315	53-1755	53-1909	53-1254	53-1458
0-500	—	53-1316	53-1579	53-1910	53-1525	53-1599

AC VOLTMETERS

Range	Ω /Volt	330-G	330-GL	330-GL/B	331-S	337-S
0-10	10	153-0051	153-0583	—	153-0477	153-0506
0-50	50	153-0056	153-0586	—	153-0480	153-0509
0-100	91	153-0027	153-0528	—	153-0481 *	153-0510
0-150	125	153-0028 *	153-0529	153-0534	153-0482	153-0511
0-250	144	153-0030	153-0531	153-0536	153-0483	153-0512
0-300	144	153-0031	153-0532	153-0537	153-0484 *	153-0513
0-500	125	153-0213	153-0680	153-0681	153-0485	153-0514
90-130	45	153-0212	153-0627	53-1539	—	—

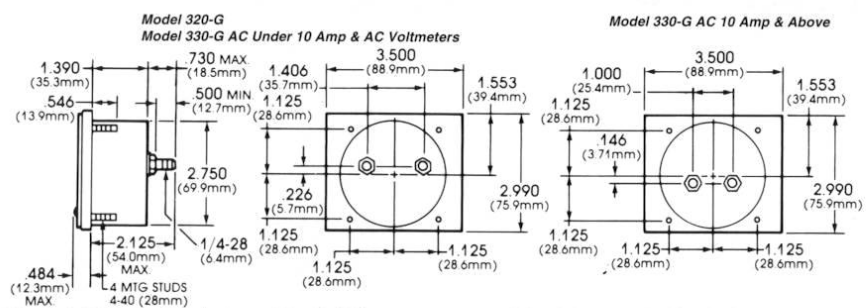
- Reads 0-1 Milliampere
- ▲ Units are self-contained
- External multiplier box is included with unit
- * Models which are normally stocked by Distribution

For additional ranges, please contact factory.

3 1/2

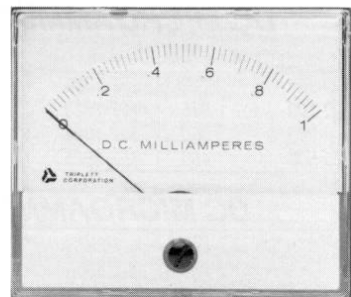
Call 1-800-TRIPLETT for more Information

3 1/2" METER DIMENSIONS

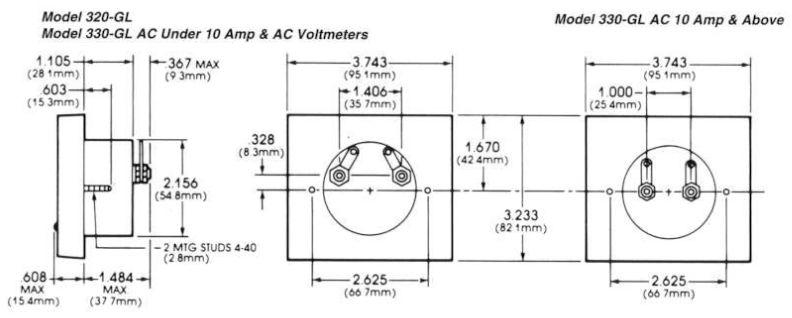


Model 320-G Scale Length: 3.16"

Model 330-G Scale Length: 2.68"

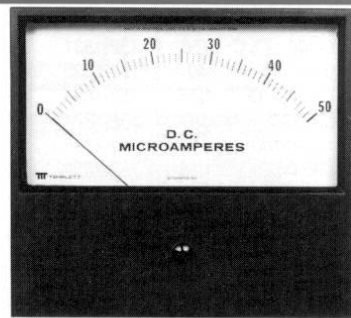


320-G / 330-G

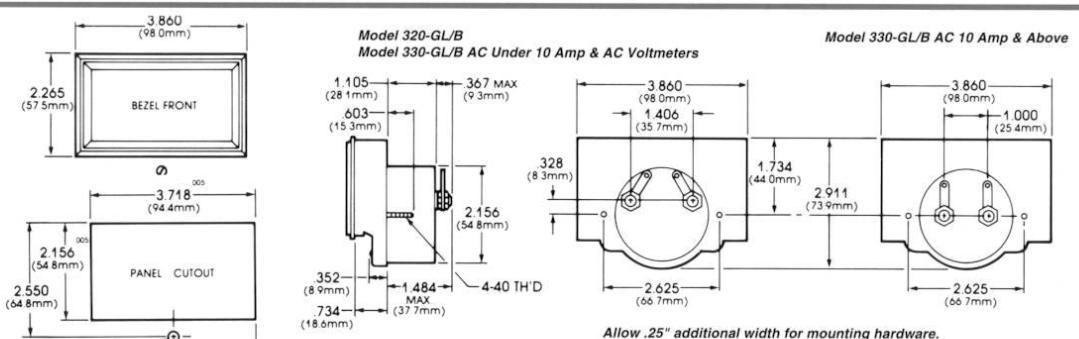


Model 320-GL Scale Length: 3.16"

Model 330-GL Scale Length: 2.62"



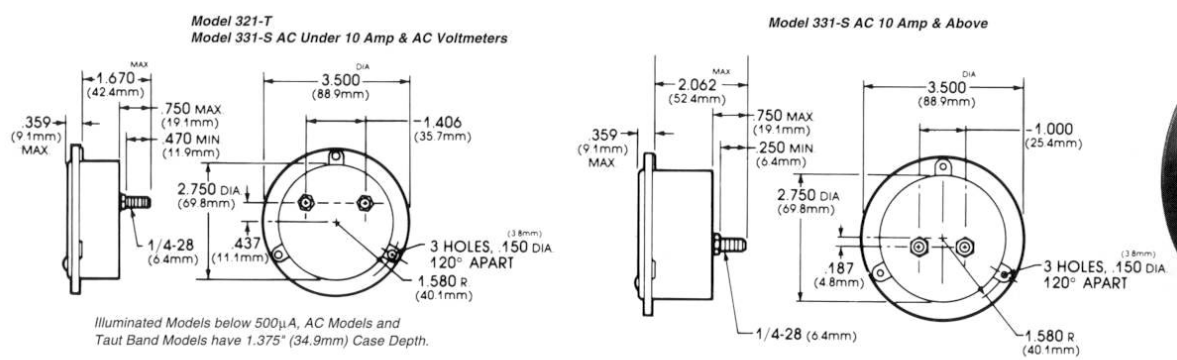
320-GL / 330-GL



Model 320-GL/B Scale Length: 3.16"

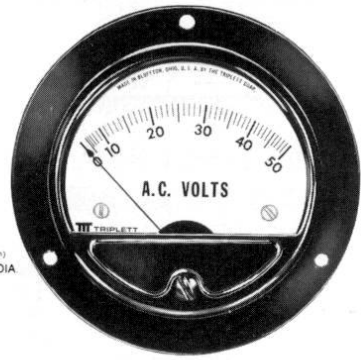
Model 330-GL/B Scale Length: 2.62"

320-GL/B / 330-GL/B

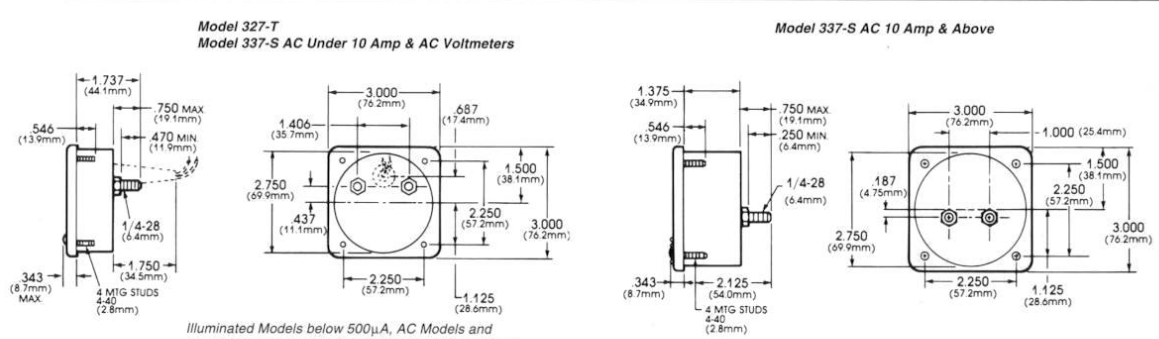


Model 321-T Scale Length: 2.49"

Model 331-S Scale Length: 2.22"



321-T / 331-S



Model 327-T Scale Length: 2.49"

Model 337-S Scale Length: 2.22"



327-T / 337-S