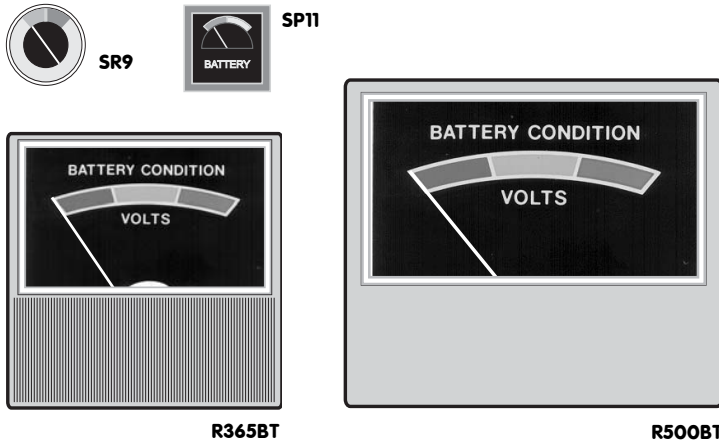
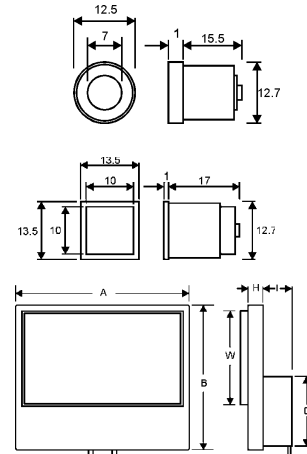


Battery level / status Indicators



- **Minature and standard sizes**
- **Ideal for portable equipment**
- **Low cost solution**
- **Minimum depth**
- **Very robust**
- **Ex-stock availability**

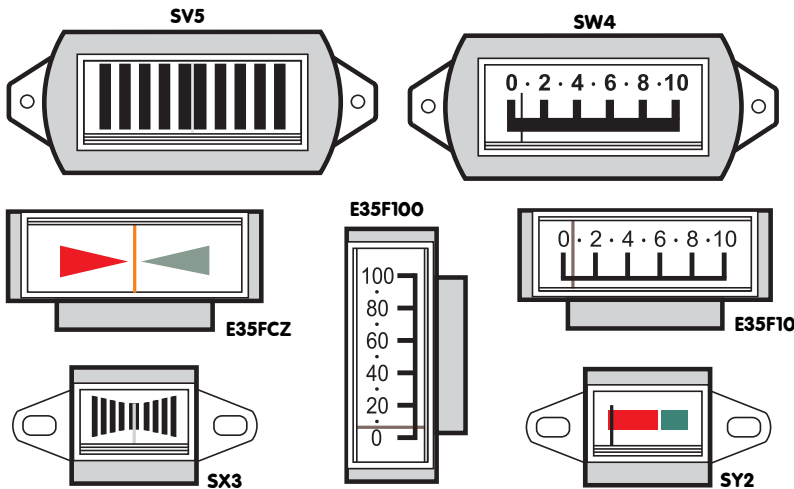


These rugged and reliable battery status meters are suitable for a wide range of applications. Using external resistors the required voltage range can be set. By adding a suitable zener diode it is possible to measure a particular voltage over a wider span of the meter scale.

Order Code	Sensitivity ±20%	Resistance ±15%	Rec. Price £:	1+	5+	10+	25+	50+	100+
SR9	0-500 μ A	700 Ω							
SP11	0-1mA	345 Ω							
R365BT	0-250 μ A	700 Ω							
R500BT	0-250 μ A	650 Ω							

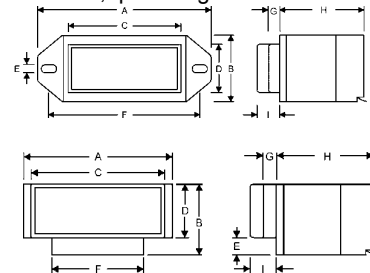
Dimensions mm	A	B	W	D	H	I
R365BT	40.00	40.00	21.5 x 36.5 x 3.0	20.00	8.00	12.50
R500BT	55.00	47.50	50.0 x 28.0 x 3.0	18.50	7.00	14.00

Edgewise level and balance Indicators



- **Compact edgewise design**
- **Professional appearance**
- **Low cost solution**
- **Easy to back light**
- **Minimum depth**
- **Ex-stock availability**

A wide range horizontal and vertical edgewise meters with left, bottom and centre zero, providing low cost indication.



Order Code	Sensitivity ±20%	Resistance ±15%	Rec. Price £:	1+	5+	10+	25+	50+	100+
SY2	0-200 μ A	600 Ω							
SX3	100-0-100 μ A	600 Ω							
SW4	0-250 μ A	600 Ω							
SV5	100-0-100 μ A	600 Ω							
E35F10	0-100 μ A	1750 Ω							
E35F100	0-200 μ A	600 Ω							
E35FCZ	100-0-100 μ A	600 Ω							

Dimensions mm	A	B	C	D	F	H	I
SY2	36.00	18.20	17.80	12.40	28.50	15.20	4.50
SX3	36.00	18.20	17.80	12.40	28.50	15.20	4.55
SW4	54.00	22.00	35.20	15.20	49.00	25.50	7.00
SV5	54.00	22.00	35.20	15.20	49.00	25.50	7.00
E35F10	39.00	18.50	35.00	14.00	24.00	22.00	4.50
E35F100	39.00	18.50	35.00	14.00	24.00	22.00	4.50
E35FCZ	39.00	18.50	35.00	14.00	24.00	22.00	4.50