

## PRODIN RANGE PANEL METERS

**DESCRIPTION** 72 x 72mm DIN sized panel meter with a horizontal scale and a round barrel.

Manufactured to IEC51.

**APPLICATION** Used widely in the panel building industry, where a DIN product with a horizontal scale is required. Round barrel allows straightforward installation without special tools.



### PD72SD MOVING IRON - AC

| Rating                                    | Burden                               | Accuracy Class |
|---|--------------------------------------|----------------|
| Scaled up to 40A direct connected         | 1.2VA max up to 30A, 2.4VA up to 40A | 1.5            |
| 1A or 5A CT operated, scaled as necessary | 0.7VA typically at 50Hz              | 1.5            |
| Scaled 30V to 600V, direct connected      | 6VA max                              | 1.5            |

### PD72HZ FREQUENCY RANGES

| Rating   | Burden                 | Accuracy Class |
|--|------------------------|----------------|
| 45/65, 45/55 or 55/65 Hz for 110/230/380V direct connected | 6mA at nominal voltage | 1.5            |

### PD72MC MOVING COIL - DC

| Rating  | Burden        | Accuracy Class |
|---|---------------|----------------|
| 100µA to 40A direct connected                     | up to 150mV   | 1.5            |
| 4/20mA, scaled as necessary                       | up to 150mV   | 1.5            |
| Scaled up to 600V, direct connected               | 1mA (1000Ω/V) | 1.5            |
| 50mV to 300mV shunt operated, scaled as necessary | 1mA (1000Ω/V) | 1.5            |

### Specifications

**Flame retardant:** Base - UL94V1, Case - UL94V0

**Protection:** IP52 (front of panel)

**Scale marking:** DIN 43802

**Overload (A):** 1.2 x rating 2hrs / 10 x rating 5 seconds

**Overload (V):** 1.2 x rating 2hrs / 2 x rating 5 seconds

**Insulation test:** 2kV 50Hz for 1 minute

**Temperature:** Calibrated at 23°C, suitable for -25 to +40°C

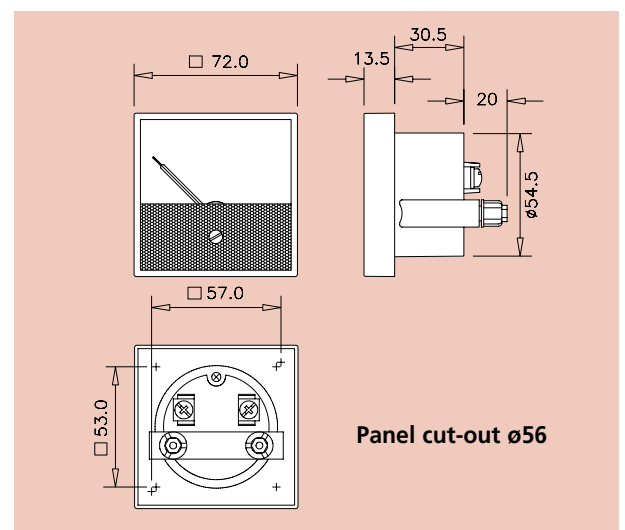
**Terminals:** M4 screw clamps supplied as standard  
(above 5A, M6 studs are supplied)

**Panel mounting:** U-clamp fixing or 2 pin fixing (57mm or 53mm)

### Options

- Special scales
- M6 terminals, M3 studs
- 6.4mm faston tags (up to 5A)
- Terminal cover

### Dimensions (mm)



Our policy is one of continuous development and therefore specifications may change without notice.

## HOWARD BUTLER LTD

CROWN WORKS, LINCOLN ROAD  
WALSALL WS1 2EB ENGLAND

Tel: 01922 640003 Fax: 01922 723626

International Tel: +44 1922 640003 E-mail: sales@hobut.co.uk

<http://www.hobut.co.uk>