



SIFAM
COMPONENTS DIVISION



Key features

- ◆ Flexible styling – 4 sizes each in four styles
- ◆ High quality modular construction
- ◆ Taut band core magnet movements

Presentor

Meter types 19, 29, 39, 49

The Presentor range of analogue moving coil instruments is available in four sizes each in four styles. The modern flexible styling meets today's stringent design and economic requirements.

Features and benefits

- ◆ Choice of four styles available in each size
 - Simple back of panel mounting
 - Back of panel mounting with accompanying bezel
 - Front of panel mounting with lower mask
 - Front of panel mounting with full bezel
- ◆ Constructed with transparent acrylic front and high impact translucent rear body moulding. Masks and bezels, available in black or grey, are moulded in ABS.
- ◆ Taut band core magnet movement incorporated as standard within a compact 26mm diameter barrel. There is no calibration effect when mounted on a ferrous panel

Pointers and dials

Pointers and dial markings are normally in accordance with the current BS3693 requirements. Other types of pointer and/or custom dial markings together with company logos, including colour printing can be provided to suit individual requirements. Centre or right-hand zero scales are available if required. Mirror dials can be supplied (except for type 19).

Accuracy

All SIFAM meters are normally supplied/designed to meet the requirements of current BS89, IEC 51, EN60 051 and ANSI C39.1 standards.

Calibration

For vertical use unless otherwise specified.

Zero adjuster

Normally positioned on the front of surface mounted styles and on the rear of behind panel styles. Reverse options to these may be specified.

Certified drawings

Available on request.

Operating Temperature

-25°C to +55°C.

Audio level indicators

All of the Presentor meters are available in this version (except type 49). Please refer to SIFAM for specific information.

Illumination

Comprehensive options are available. Please refer to back page for more information.

Terminals

6mm tabs are supplied as standard but threaded studs or flying leads are available. Please refer to back page for more information.

Presentor

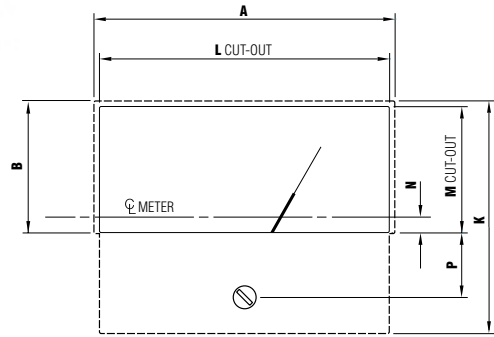
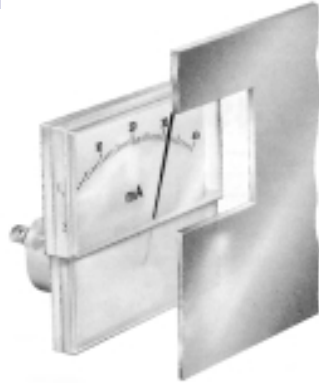
Presenter

Presenter Style W

For back of panel mounting with only the scale and pointer visible.

Types: **19W, 29W, 39W, 49W**

Meter barrel cut out 27.0mm/1.06"
Fixing studs M2.5x10.0mm/0.39"
(except type 19: M2)



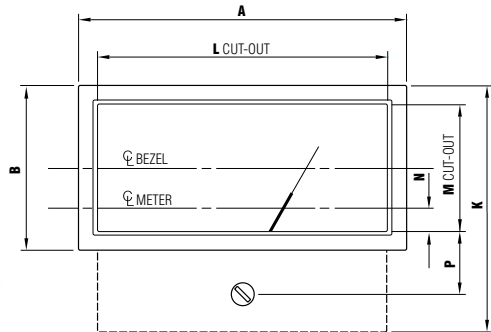
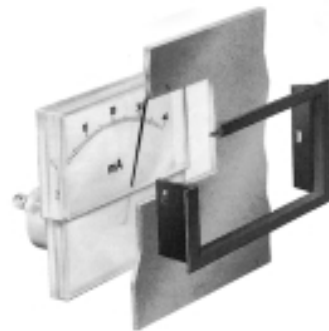
6.00mm/0.24" hole required when optional front zero is specified

Presenter Style WF

For back of panel mounting with bezel and with only the scale and pointer visible.

Types: **19WF, 29WF, 39WF, 49WF**

Max panel thickness 4.0mm/0.16"
(except type 19: 3.0mm/0.12")
Meter barrel cut out 27.0mm/1.06"
Fixing studs M2.5x10.0mm/0.39"
(except type 19: M2)



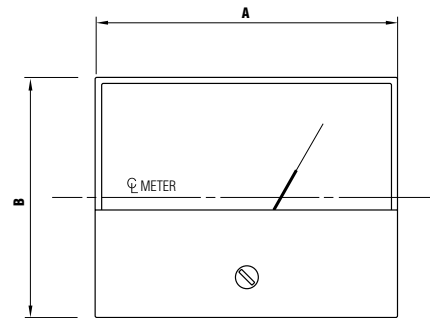
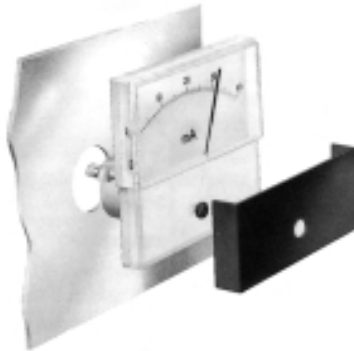
6.00mm/0.24" hole required when optional front zero is specified

Presenter Style M

For front of panel mounting with lower mask.

Types: **19M, 29M, 39M, 49M**

Max panel thickness 6.0mm/0.24"
Meter barrel cut out 27.0mm/1.06"
Fixing studs M2.5x10.0mm/0.39"
(except type 19: M2)

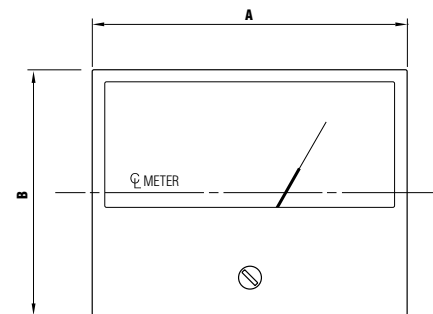


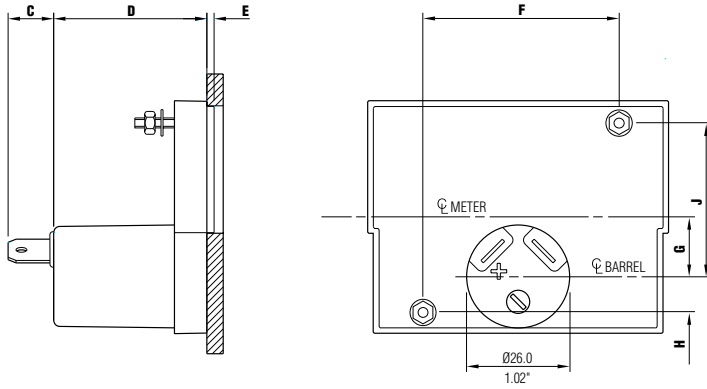
Presenter Style B

For front of panel mounting with full bezel.

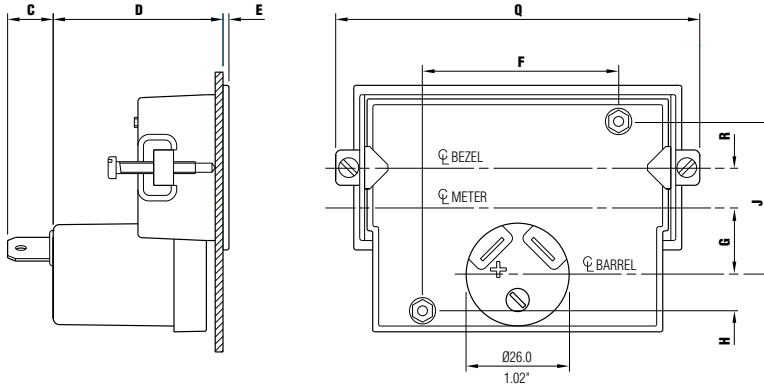
Types: **19B, 29B, 39B, 49B**

Max panel thickness 6.0mm/0.24"
Meter barrel cut out 27.0mm/1.06"
Fixing studs M2.5x10.0mm/0.39"
(except type 19: M2)

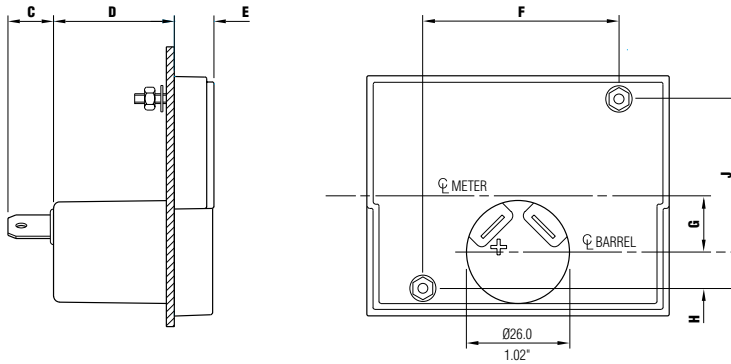




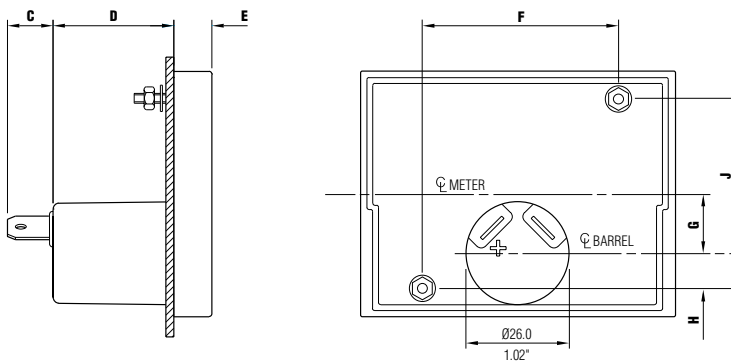
	19W		29W		39W		49W	
	mm	inches	mm	inches	mm	inches	mm	inches
A	43.9	1.73	76.1	2.99	94.0	3.70	124.0	4.88
B	21.0	0.82	33.3	1.31	41.9	1.65	57.1	2.25
C	11.5	0.45	11.5	0.45	11.5	0.45	11.5	0.45
D	37.2	1.46	38.7	1.52	39.2	1.54	40.3	1.59
E	1.50	0.06	1.80	0.07	2.00	0.08	2.10	0.08
F	32.0	1.26	47.8	1.88	57.2	2.25	92.0	3.62
G	4.70	0.18	15.0	0.59	20.9	0.82	26.9	1.06
H	Fixing studs in same horizontal plane above C/L 7.0mm/0.28"		9.70	0.38	8.60	0.34	Fixing studs in same horizontal plane above C/L 7.0mm/0.28"	
J			38.0	1.50	48.5	1.91		
K	37.9	1.49	58.8	2.32	72.4	2.85	93.0	3.66
L	42.4	1.66	73.66	2.90	91.50	3.60	121.00	4.76
M	20.20	0.79	32.26	1.27	40.50	1.59	55.50	2.19
N	2.0	0.08	3.90	0.15	5.70	0.22	10.6	0.42
P	9.90	0.39	16.1	0.63	20.4	0.80	21.5	0.85



	19WF		29WF		39WF		49WF	
	mm	inches	mm	inches	mm	inches	mm	inches
A	49.2	1.94	82.8	3.26	101.0	3.98	131.0	5.16
B	27.0	1.06	41.6	1.64	50.5	1.99	65.6	2.58
C	11.5	0.45	11.5	0.45	11.5	0.45	11.5	0.45
D	40.8	1.61	42.9	1.69	43.4	1.71	44.5	1.75
E	1.50	0.06	1.50	0.06	1.6	0.06	1.70	0.07
F	32.0	1.26	47.8	1.88	57.2	2.25	92.0	3.62
G	6.10	0.24	16.7	0.66	22.7	0.89	28.7	1.13
H	Fixing studs in same horizontal plane above C/L 7.0mm/0.28"		9.70	0.38	8.60	0.34	Fixing studs in same horizontal plane above C/L 7.0mm/0.28"	
J			38.0	1.50	48.5	1.91		
K	40.6	1.60	62.2	2.45	76.1	2.99	96.5	3.80
L	47.0	1.85	80.0	3.15	98.0	3.86	128.0	5.04
M	24.0	0.94	37.0	1.46	46.0	1.81	61.0	2.40
N	5.20	0.20	8.10	0.32	10.2	0.40	15.1	0.59
P	8.00	0.31	13.7	0.54	17.7	0.70	18.8	0.74
Q	58.5	2.30	90.6	3.57	108.6	4.28	139.7	5.50
R	6.80	0.27	10.3	0.41	12.8	0.50	15.4	0.61



	19M		29M		39M		49M	
	mm	inches	mm	inches	mm	inches	mm	inches
A	43.9	1.73	76.1	2.99	94.0	3.70	124.0	4.88
B	38.8	1.53	60.3	2.37	74.0	2.91	94.6	3.72
C	11.5	0.45	11.5	0.45	11.5	0.45	11.5	0.45
D	31.2	1.23	30.5	1.20	30.2	1.19	30.2	1.19
E	7.50	0.30	10.0	0.39	11.0	0.43	12.2	0.48
F	32.0	1.26	47.8	1.88	57.2	2.25	92.0	3.62
G	4.20	0.17	14.2	0.56	20.0	0.79	26.1	1.03
H	Fixing studs in same horizontal plane above C/L 7.0mm/0.28"		9.70	0.38	8.60	0.34	Fixing studs in same horizontal plane above C/L 7.0mm/0.28"	
J			38.0	1.50	48.5	1.91		



	19B		29B		39B		49B	
	mm	inches	mm	inches	mm	inches	mm	inches
A	46.0	1.81	79.5	3.13	97.5	3.84	127.7	5.03
B	40.0	1.57	61.9	2.44	76.4	3.01	96.6	3.80
C	11.5	0.45	11.5	0.45	11.5	0.45	11.5	0.45
D	31.2	1.23	30.5	1.20	30.2	1.19	30.2	1.19
E	7.50	0.30	10.0	0.39	11.0	0.43	12.2	0.48
F	32.0	1.26	47.8	1.88	57.2	2.25	92.0	3.62
G	4.8	0.19	15.0	0.59	20.8	0.82	26.9	1.06
H	Fixing studs in same horizontal plane above C/L 7.0mm/0.28"		9.70	0.38	8.60	0.34	Fixing studs in same horizontal plane above C/L 7.0mm/0.28"	
J			38.0	1.50	48.5	1.91		

Presenter

Terminals

Bent tabs option

Screw terminals option
All types/styles M2.5 terminals

Flying leads option

Also available with reduced barrel depth - special order only

Type	Barrel Depth
19	29.2mm/1.15"
29	28.5mm/1.12"
39	28.2mm/1.11"
49	28.3mm/1.11"

Illumination

This is available in either of the two forms shown below and should be specified at the time of ordering meters. Please contact the sales office for full information and drawings.

Overhead
Available for types 19W, 19WF, 29W, 29WF, 39W, 39WF
Unit contains Ø6mm festoon style lamp available in 6V, 12V, or 24V

Light Box
Available for all styles of types 29, 39 which require translucent dials. The meter fixing studs occupy different positions and rectangular panel cut-outs are required for styles M, B.

Unit is available with either festoon style or T1 3/4 flanged lamps in 6V, 12V, 24V. T1 3/4 flanged LEDs are also available in either 12V or 24V.

Standard ranges

If the required range is not indicated by a symbol please enquire as it may be possible to supply to your special requirements

Range	DC				AC			
	V	µA	mA	A	V	µA	mA	A
0-1	●*		●	●	●		●	■
0-1.5								
0-2	●			●	●			
0-2.5				◆				
0-3	●		●	◆	●			
0-5	●		●	◆	●		●	■
0-10	●		●	◆	●		●	■
0-12								
0-15			●					
0-20	●		●	▲	●		●	■
0-25				▲				
0-30	●		●	▲	●		●	■
0-40	●		●	▲	●		●	
0-50	●	●	●	▲	●	●	●	■
0-100	●	●	●	▲	●	●	●	■
0-120	●		●		●			
0-150	●		●		●			■
0-200	●	●	●	▲	●	●	■	
0-250	●	●	●	▲	●	●		
0-300				▲				
0-400			●					
0-500		●	●	▲		●	■	
0-1000	✓			▲	✓			
0-1500	✓			▲	✓			
0-2000	✓			▲				

- Self contained.
- ◆ Complete with external tag board.
- ▲ 75mV - external shunt required.
- ✓ Complete with external resistance box.
- * Millivoltmeters can be supplied on request.
- Complete with external transformer.

Terminal resistance

Range	Tolerance ± 15%	Range	Tolerance ± 15%
50µA	2000Ω	250µA	255Ω
100µA	1000Ω	500µA	155Ω
200µA	365Ω	1mA	50Ω

Accuracy

Type	Scale length	DC	AC Rectifier
19	34.0mm/1.34"	±2.5%	±2.5%
29	60.0mm/2.36"	±1.5%	±2.5%
39	78.0mm/3.07"	±1.5%	±2.5%
49	100.0mm/3.94"	±1.5%	±1.5%

Weight

Type	Nett Weight	Type	Nett Weight
19	40g/1.4oz	39	90g/2.8oz
29	65g/2.3oz	49	130g/4.6oz

As part of our policy of continuous product improvement we reserve the right to change specifications at any time.



SIFAM
COMPONENTS DIVISION

SIFAM LIMITED
WOODLAND ROAD TORQUAY DEVON
TQ2 7AY ENGLAND
TEL: 01803 407733 FAX: 01803 407740
Sifam_ComponentsUK@compuserve.com
www.sifam.com

SIFAM - The plastics and measurement technology group



Certificate No. 851037

As part of our policy of continuous product improvement we reserve the right to change specifications at any time.