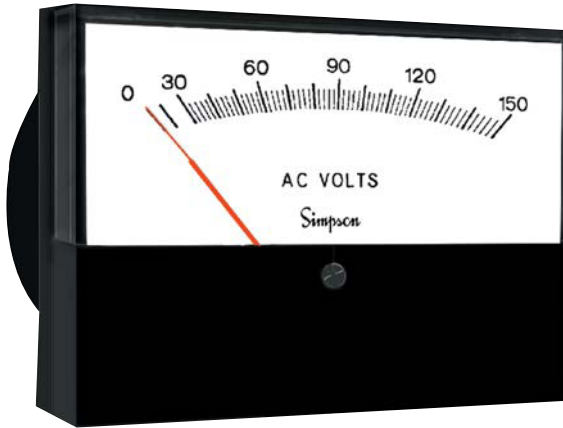




Designer Style Analog Panel Meters



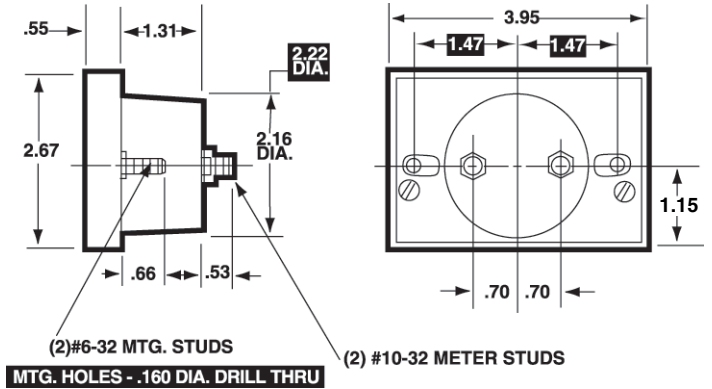
- **Clean, uncluttered design offers maximum visibility in minimum required height**
- **Glass window for optimum viewing**
- **Rugged black plastic case**
- **Red knife-edge pointer for precision readability**

Specifications

Accuracy:	±2% F.S.
Movement:	AC/Iron-vane, magnetically damped, DC Annular
Tracking:	±3%
Response Time:	1.5 seconds maximum
Overload (1 sec.):	10 times F.S.
Overload (Continuous):	1.5 times F.S.
Repeatability:	2%, 5% for taut band
Dial:	Sharp clear scale. Each dial arc is calibrated to track the specific type of movement used.
Case:	High density black plastic
Resistance:	±15% of meter impedance
Operating Temperature:	-4°F to +149°F (-20°C to +65°C)
Pointer:	Red, knife-edge
Scale Length:	Model 553 : 2.69" (68.3mm) 523 : 2.92" (74.2mm) Model 554 : 2.84" (72.1mm) 524 : 3.25" (82.5mm)
Net Weight:	Model 553 : 5oz (0.14kg) 523 : 9 oz (0.26kg) Model 554 : 6oz (0.17kg) 524 : 10 oz (0.28kg)

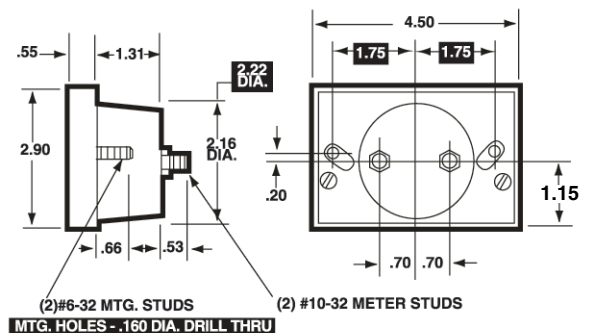
Dimensions

3 - 1/2"-Models 523, 523T, 554



1 = Panel Meter Cut-out Dimensions

4 - 1/2"-Model 524, 524T, 554



Ordering Information

AC Ammeters, Iron-Vane Movement

Range	Approx. Impedance (Ohms) @60Hz	Model/Size and Catalog Number	
		3-1/2" Model 553	4-1/2" Model 554
0-1	.213	15049	15121
0-5	.008	15050	15120
0-10	.004	15052	15122
0-15	.0025	15051	15123
0-25	.002	15053	15125
0-50	.001	15054	15124
0-100	.008	15056†	15127†
0-150	.008	15057†	15128†

† Requires external current transformer from page C3-C4

For more information, visit www.simpsonelectric.com

Ordering Information

AC Voltmeters Iron-Vane Movement

Range	Approx. Impedance (Ohms) @ 60Hz	Model/Size and Catalog Number	
		3-1/2" Model 553	4-1/2" Model 554
0-150*	25,000	15060	15130
0-250*	41,166	15061	15131
0-300*	50,000	15062	15132

*Rectifier movements are available on special order.

DC Microammeters Self-Shielding Movement

Range	Approx. Impedance (Ohms) @ 60 Hz	Model/Size and Catalog Number	
		3-1/2" Model 523	4-1/2" Model 524
0-50	1800	15017	15087
0-100	1800	15019	15089
0-200	1100	15021	15091
0-500	90	15022	15093
25-0-25	1800	15023	15094
50-0-50	1800	15025	15095
100-0-100	1100	15027	15097
500-0-500	43	15024	15096

DC Taut-Band Microammeters Self-Shielding Movement

Range	Approx. Impedance (Ohms) @ 60 Hz	Model/Size and Catalog Number	
		3-1/2" Model 523T	4-1/2" Model 524T
0-15	1960	15014	15092
0-25	2100	15015	15085

DC Milliammeters Self-Shielding Movement

Range	Approx. Impedance (Ohms) @ 60 Hz	Model/Size and Catalog Number	
		3-1/2" Model 523	4-1/2" Model 524
0-1	43.0	15000	15070
0-5	2.0	15001	15076
0-10	10.0	15002	15077
0-50	2.0	15003	15078
0-100	1.0	15010	15080
0-200	.5	15004	15079
0-300	.33	15012	15081
0-500	.2	15013	15082

DC Ammeters Self-Shielding Movement

Range	Approx. Impedance (Ohms) @ 60 Hz	Model/Size and Catalog Number	
		3 - 1/2" Model 523	4 - 1/2" Model 524
0-1	.050	15031	15101
0-3	.0166	15032	15102
0-5	.010	15033	15103
0-10	.005	15030	15100
0-15	.0033	15034	15104
0-25	.0020	15035	15105
0-50	.001	15036	15106

DC Millivoltmeters Self-Shielding Movement

Range	Approx. Impedance (Ohms) @ 60 Hz	Model/Size and Catalog Number	
		3 - 1/2" Model 523	4 - 1/2" Model 524
0-50	10.0	15048	15118

DC Voltmeters Self-Shielding Movement

Range	Approx. Impedance (Ohms) @ 60 Hz	Model/Size and Catalog Number	
		3 - 1/2" Model 523	4 - 1/2" Model 524
0-5	1000 ohms per volt	15038	15108
0-10		15039	15109
0-15		15040	15110
0-30		15042	15112
0-50		15044	15114
0-100		15045	15111
0-150		15046	15116