

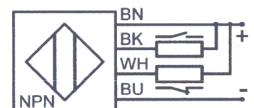
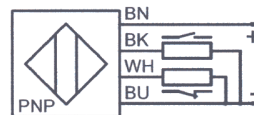
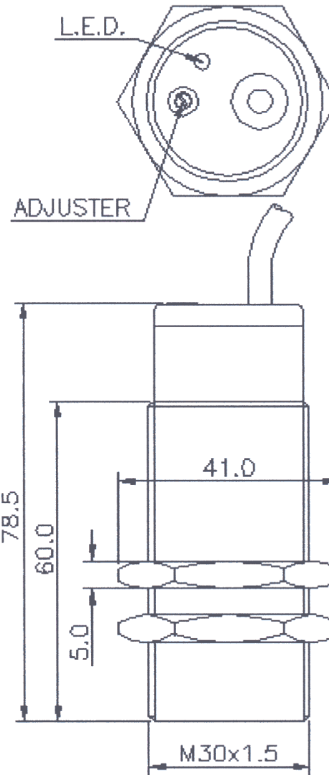
proxistor® Capacitive Sensors DC



- 4 Wire M30 Threaded
- 2m PVC Lead
- N/O & N/C Complimentary
- ESD Protected



Function	Part number	
PNP (Complimentary)	CPU-020V-DSN	
NPN (Complimentary)	CNU-020V-DSN	
Mounting	Shielded / Flush	
Rated operating distance Sn	mm	20 ± 10%
Repeatability	%	≤ 10
Function Indication	Yes	
Ambient temperature range	°C	-25 to +80
Pollution Degree	3	
Time delay before availability	ms	≤ 300
Housing Size	mm	M18
Housing material	PBT	
Degree of protection	IP67	
Connection	Cable	
Cable type	2m 4w PVC Cable	
Current type	DC	
Wiring	4-Wire	
Rated operational voltage	V	8 to 30 DC
Rated operational current	mA	350
Supply voltage	V	7 to 30 DC
Impulse voltage withstand	V	1kV 1.2/50µs
Ripple	%	-
Rated supply frequency	Hz	25Hz
Minimum operational current	mA	≤ 0.1
No-load supply current	mA	≤ 10 / 10
Off-state current	µA	≤ 10
Voltage drop	V	≤ 2.5
Short circuit protection	Yes (Pulsed)	
Reverse polarity protection	Yes	



General Note

AB Electronic Limited reserves the right to make changes in product specification without notice or liability. All information is subject to AB's own data and is considered accurate at time of going to print.

Downloaded from Elcodis.com electronic components distributor

© AB Electronic Limited (Proxistor Division) Colvern House, Spring Gardens, Romford, Essex RM7 9LP, UK

