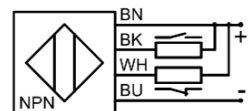
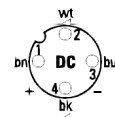
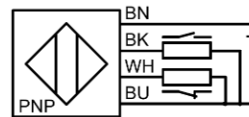
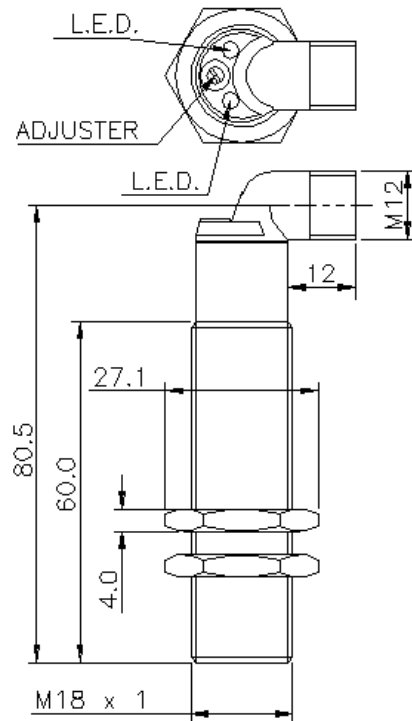


- 4WireM18Threaded
- M12Connector
- N/OorN/C Complimentary
- ESDProtected



Function	Partnumber
PNP(Complimentary)	<b>CPU-010V-CTN</b>
NPN(Complimentary)	<b>CNU-010V-CTN</b>
Mounting	Shielded/Flush
RatedoperatingdistanceSn	mm 10±10%
Repeatability	% ≤10
FunctionIndication	Yes
Ambienttemperaturerange	°C -25to+80
PollutionDegree	3
Timedelaybeforeavailability	ms ≤300
HousingSize	mm M18
Housingmaterial	PBT
Degreeofprotection	IP67
Connection	M12Connector
<b>Recommendedconnector</b>	<b>BR1-AD-02-V4</b>
Currenttype	DC
Wiring	4-Wire
Ratedoperationalvoltage	V 8to30DC
Ratedoperationalcurrent	mA 350
Supplyvoltage	V 7to30DC
Impulsevoltage withstand	V 1kV1.2/50µs
Ripple	% -
Ratedsupplyfrequency	Hz 25Hz
Minimumoperationalcurrent	mA ≤0.1
No-loadsupplycurrent	mA ≤10/10
Off-statecurrent	µA ≤10
Voltagedrop	V ≤2.5
Shortcircuitprotection	Yes(Pulsed)
Reversepolarityprotection	Yes



**GeneralNote**  
ABElectronicLimitedreservestherighttomakechangesinproductspecificationwithoutnoticeorliability.  
AllinformationissubjecttoAB'sowndataandisconsideredaccurateatthetimeofgoingtoprint.

©ABElectronicLimited(ProxistorDivision)ColvernHouse, SpringGardens, Romford, EssexRM79LP, UK  
Telephone:+44(0)1708762222-Facsimile:+44(0)1708762981-Email:sales@proxistor.com-Website:www.proxistor.com



A subsidiary of  
TT electronics plc