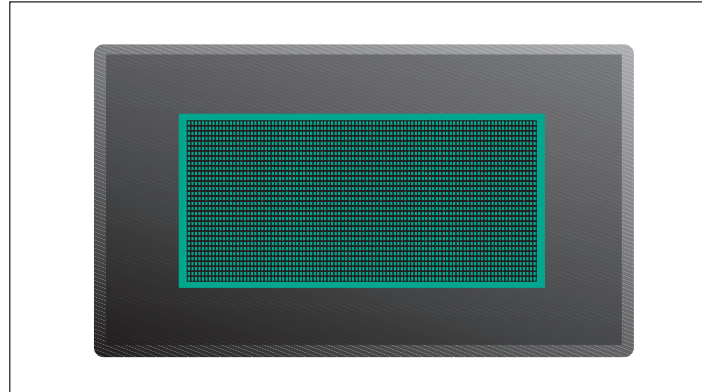


The DMX 973B incorporates the latest LCD controller LSI to provide a unique combination of a 100 x 32 pixel display with compact size and ease of use. LED backlighting ensures excellent visibility under low light conditions. Easy to install, the module features 16-pin dual in line connector. Supplied with bezel, window and clips. An optional metal bezel, stock number BEZ 900-IP, provides protection to IP67/NEMA 4X.

### FEATURES

- 100 x 32 Pixels
- High Contrast Supertwist LCD
- 6 o'clock Viewing Direction
- Yellow-Green LED Backlighting
- Based on Epson SED 1530 Controller
- 68XX, 80XX and Serial Interfaces



### ORDERING INFORMATION

Standard Instrument  
IP67 / NEMA 4X Bezel

Stock Number  
DMX 973B  
BEZ 900-IP

### ELECTRICAL SPECIFICATIONS

Specification	Min.	Typ.	Max.	Unit
Supply Voltage (V+)	4.5	5.0	5.5	V d.c.
Supply Current	Normal	100		µA
	Standby	10		
Input Voltage High	0.7V <sub>DD</sub>	-	V <sub>DD</sub>	V
Input Voltage Low	V <sub>SS</sub>	-	0.3V <sub>DD</sub>	V
Output Voltage High	0.8V <sub>DD</sub>	-	V <sub>DD</sub>	V
Output Voltage Low	V <sub>SS</sub>	-	0.2V <sub>DD</sub>	V
Backlight Supply Voltage	-	5	5.5	V d.c.
Backlight Supply Current	-	50	90	mA
Operating temperature range	0		50	°C

### SAFETY

To comply with the Low Voltage Directive (LVD 93/68/EEC), input voltages to the module's pins must not exceed 60Vdc. The user must ensure that the incorporation of the panel instrument into the user's equipment conforms to the relevant sections of BS EN 61010 (Safety Requirements for Electrical Equipment for Measuring, Control and Laboratory Use).

LASCAR ELECTRONICS LTD.  
MODULE HOUSE  
WHITEPARISH  
WILTSHIRE SP5 2SJ  
UK  
TEL: +44 (1794) 884567  
FAX: +44 (1794) 884616  
E-mail: sales@lascar.co.uk

LASCAR ELECTRONICS INC.  
3750 West 26th Street  
Erie  
PA 16506  
USA  
TEL: +1 (814) 835 0621  
FAX: +1 (814) 838 8141  
E-mail: sales@lascarelectronics.com

LASCAR ELECTRONICS (HK) LIMITED  
FLAT C, 5/FL., LUCKY FTY. BLDG.  
63-65 HUNG TO ROAD  
KWUN TONG KOWLOON  
HONG KONG  
TEL: +852 2797 3219  
FAX: +852 2343 6187  
E-mail: b4lascar@samsongroup.com.hk

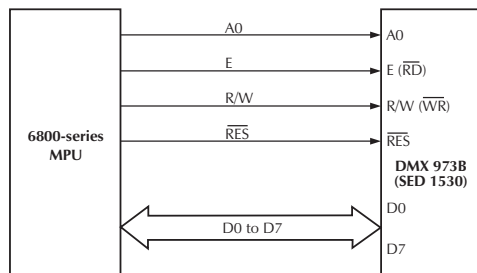


### PIN FUNCTIONS

- |       |       |  |
|-------|-------|--|
| 1.    | 0V    | } Power supply to the dot matrix display.  |
| 2.    | +5V   |  |
| 3.    | RES   |  |
| 4.    | A0    | Control Data/Display Data flag input. (0=Control Data, 1=Display Data)           |
| 5.    | R/W   | Read/Write input in 6800-series mode. (0=Write, 1=Read)                          |
|       | (WR)  | Write enable signal in 8080-series mode.   |
| 6.    | E     | Enable clock signal in 6800-series mode.   |
|       | (RD)  | Read enable signal in 8080-series mode.  |
| 7-14. | D0-D7 | 8-Bit bi-directional microprocessor data bus. (D7= SI, D6=SCL in serial mode)    |
| 15.   | BL-   | } Power supply to the LED backlighting, electrically isolated from pins 1 and 2. |

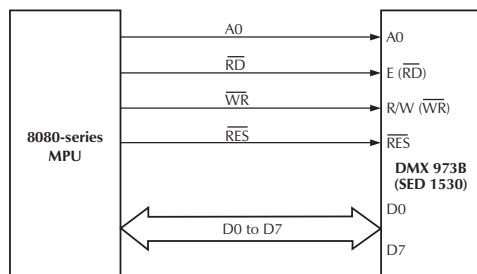
### REFERENCE APPLICATIONS

#### Interface with 6800 Series



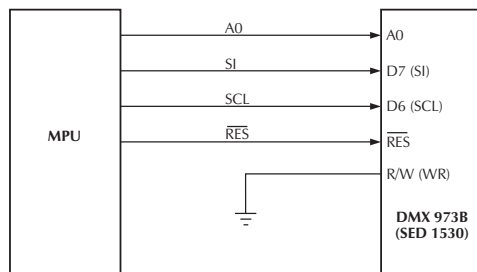
Ensure solder link Ser is Open and solder link 80xx is Open. (factory default condition)

#### Interface with 8080 Series



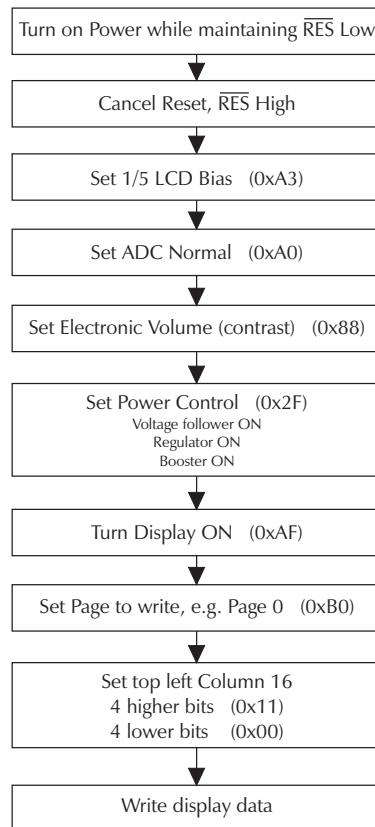
Ensure solder link Ser is Open (factory default condition) and solder link 80xx is Closed.

#### Serial Interface

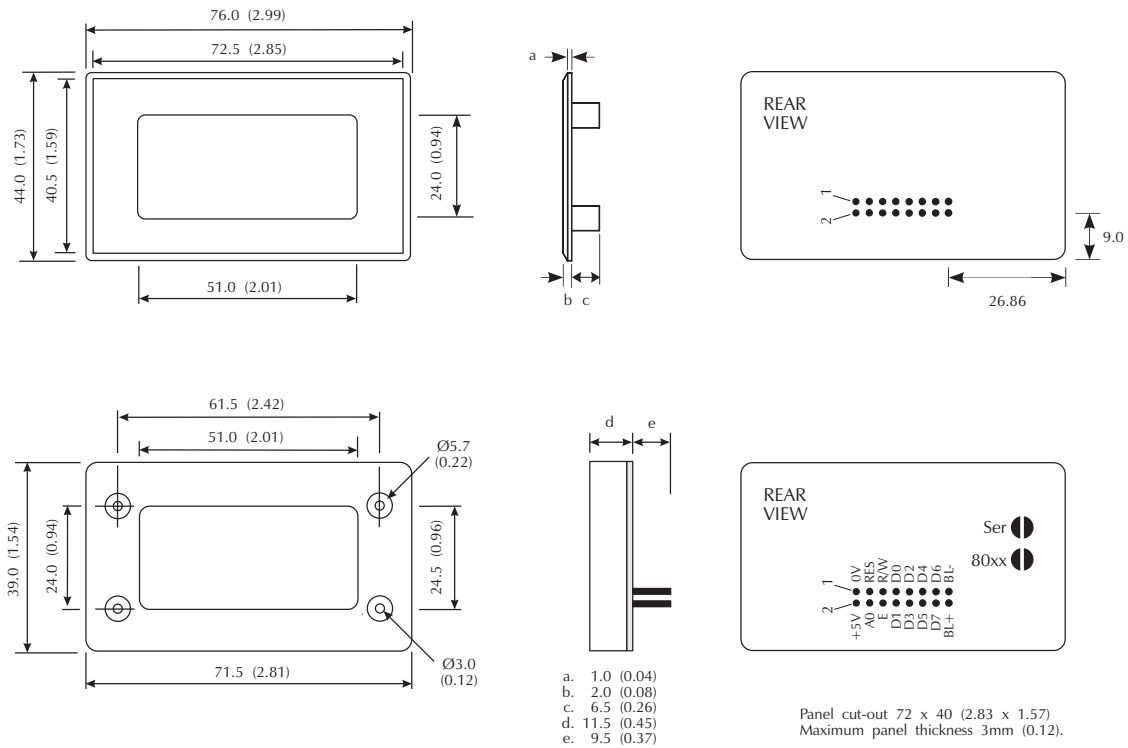


Ensure solder link Ser is Closed. Solder link 80xx may be Open or Closed. Fix R/W (WR) to GND.

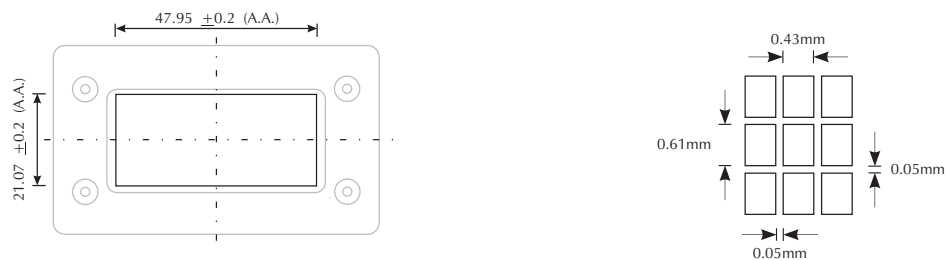
#### RECOMMENDED INITIALISATION PROCEDURE



## MODULE AND BEZEL DIMENSIONS (All dimensions in mm (inches))



## LCD DIMENSIONS (All dimensions in mm)



**For detailed programming data, consult the DMX 973B product page at [www.lascarelectronics.com](http://www.lascarelectronics.com) and download the SED 1530 technical datasheet.**