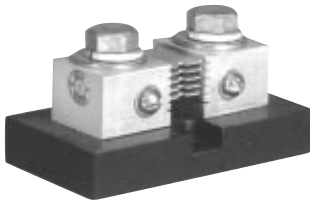




DC Ammeter Shunts

STD Accuracy $\pm 0.25\%$

TYPE LB: 170 through 600 Amperes

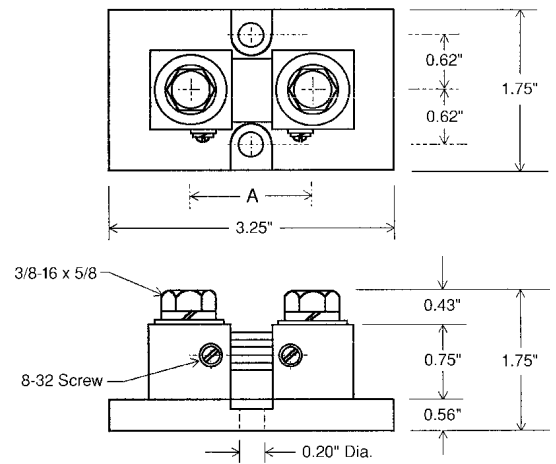


TYPE LB: 50 mV

Catalog Number	AMP	A
LB-170-50	170	1.5
LB-200-50	200	1.5
LB-250-50	250	1.5
LB-300-50	300	1.5
LB-400-50	400	1.5
LB-450-50	450	1.5
LB-500-50	500	1.5
LB-600-50	600	1.5

TYPE LB: 100 mV

Catalog Number	AMP	A
LB-170-100	170	2.07
LB-200-100	200	2.07
LB-250-100	250	2.07
LB-300-100	300	2.07
LB-400-100	400	2.07
LB-450-100	450	2.07
LB-500-100	500	2.07
LB-600-100	600	2.07



Tolerances $\pm .015$ for the hole diameters. Other tolerances $\pm .030$ unless specified. Dimensions subject to change without notice.