

MODEL BMK9 - DIN RAIL MOUNT ADAPTER KIT FOR PAX

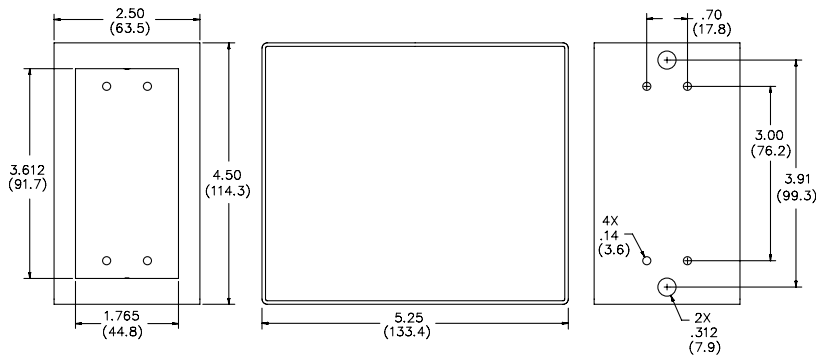


DESCRIPTION

The BMK9 DIN rail mount kit is designed to adapt any PAX panel mount meter to DIN rail mount requirements. Wire feed to the PAX unit may be through the top or bottom of the adapter kit.

The DIN rail adapter frame is constructed of steel with a textured black finish and includes two plastic DIN rail mounting feet for attachment to a top hat (T) profile rail according to EN50022 - 35 x 7.5 and 35 x 15.

DIMENSIONS In inches (mm)



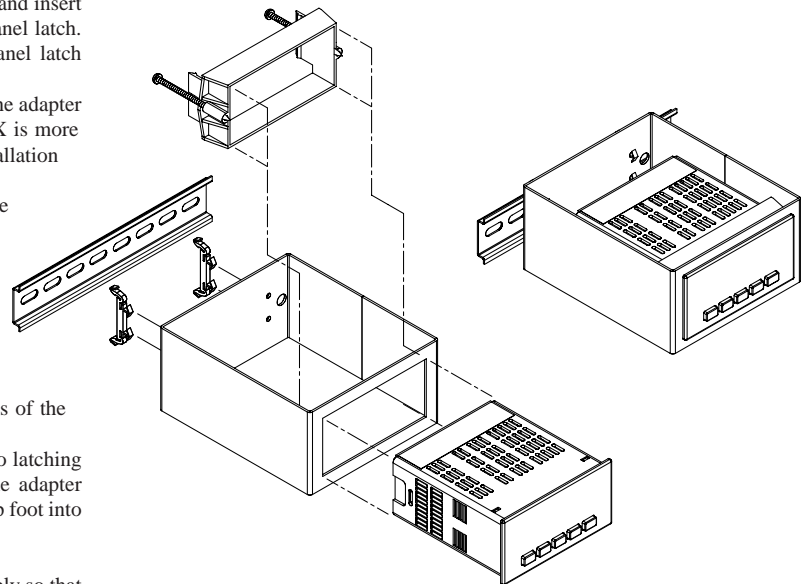
ORDERING INFORMATION

MODEL NO.	DESCRIPTION	PART NUMBER
BMK9	DIN Rail PAX Base Mount Kit	BMK90000

For More information on Pricing, Enclosures & Panel Mount Kits refer to the RLC Catalog or contact your local RLC Distributor.

INSTALLATION

1. Remove the panel latch (mounting clip) from the PAX meter unit and insert the mounting screws (supplied with the PAX) on both sides of panel latch. The tip of the screw should not project from the hole in the panel latch (mounting clip).
2. The PAX meter may be wired after the unit has been mounted in the adapter frame, in which case continue with Step 3. If pre-wiring the PAX is more convenient, skip to the pre-wiring step at the end of this installation procedure before returning to Step 3.
3. Slide the PAX meter through the cut out in the BMK9 and then slide the panel latch (mounting clip) over the rear of the PAX.
4. Continue sliding the PAX meter until the bezel flange contacts the adapter frame. The PAX panel gasket is optional.
5. Slide the panel latch (mounting clip) towards the front of the unit until it latches firmly against the inside of the adapter frame. Note: It is necessary to hold the PAX meter in place when sliding the mounting clip into position.
6. Alternately tighten mounting screws through the rear access holes of the adapter frame.
7. Apply both DIN rail feet to the rear of the adapter frame. The two latching pins of the rail foot are positioned into the mating holes on the adapter frame. Slight pressure applied to the center of the rail foot will snap foot into locking position.
8. Wire PAX meter appropriately.
9. To install the complete assembly on a T style rail, angle the assembly so that the top groove of both rail feet are located over the top lip of the rail. Push the assembly towards the rail until it snaps into place.
10. To remove the assembly from the rail, place a screwdriver behind the bottom groove of the foot rail and slightly pry upwards to release first rail foot. Apply same procedure to second rail foot and remove complete assembly.



Pre-wire PAX

- 2a. Route wires through the panel latch (mounting clip) and then through the front cut out of the adapter frame from the inside to the outside. Wire PAX meter appropriately. Continue with installation at Step 3 above.