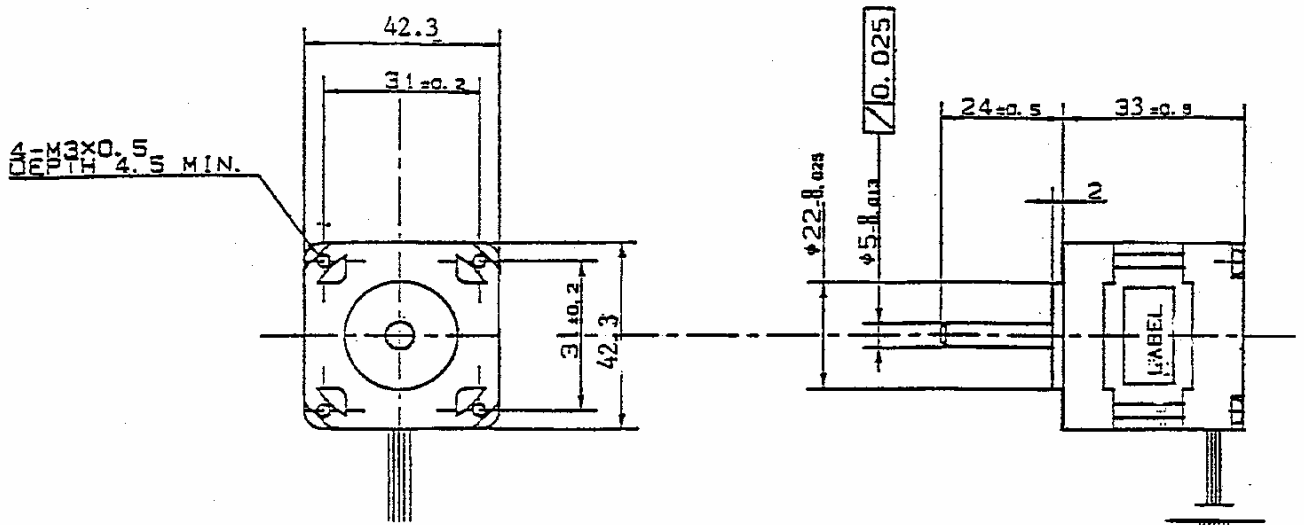
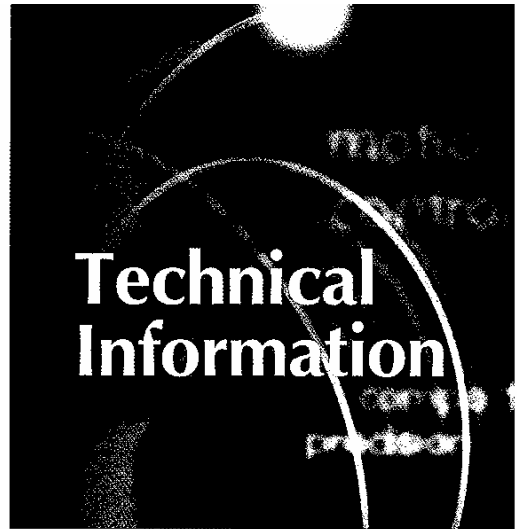


Stepping Motor

Type Y129



Specification		Y129
Step angle		1.8°
Step angle accuracy	%	5
Phase current	A	0.16
Phase resistance	Ω	75
Phase inductance	mH	60
Holding torque unipolar	Ncm	9
Holding torque bipolar	Ncm	-
Detent torque	Ncm	1.5
Rotor inertia	g cm ²	28
Mass	Kg	0.22
Insulation Class		B
Shaft configuration		Single
Number of leads		6

All dimensions in mm

Issue 01 01/03

ASTROSYN
ADVANCING THE DRIVE TOWARDS MOTOR EFFICIENCY



ASTROSYN

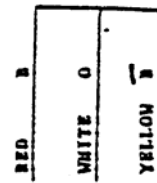
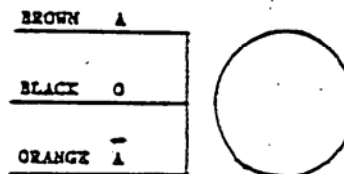
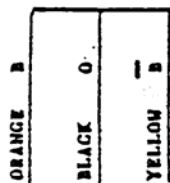
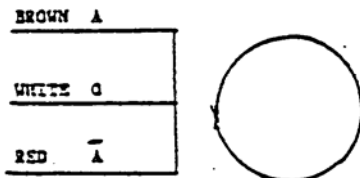
TECHNICAL DATA

STEPPER MOTOR Y129

NEW

OLD

AMENDMENT TO LEAD WIRE COLOUR CODE CONFIGURATION TO PARNELL TYPE 586389 EFFECTIVE FROM THE 26TH MARCH 1997.



Astrosyn International Technology Ltd, The Old Courthouse, New Road Avenue, Chatham, Kent ME4 6BE, England
Tel: +44 (0)1634 815175 Fax: +44(0)1634 826552