

PANDrive PD-110-42 and TMCM-110-42



42mm / NEMA-17 Stepper Motor Mechatronic Module

TMCM-110-42 Electronics Manual

Version: 1.13
December 23th, 2005



TRINAMIC
MOTION CONTROL GMBH & Co.KG

Sternstraße 67
D - 20357 Hamburg, Germany
Phone +49-40-51 48 06 - 0
FAX: +49-40-51 48 06 - 60
<http://www.trinamic.com>

Contents

1	Features	3
2	Life support policy.....	4
3	Electrical and Mechanical Interfacing.....	5
3.1	Dimensions.....	5
3.2	Connectors.....	5
3.3	Connecting the module	5
3.3.1	Connector 1: Power supply and host interface	6
3.3.2	Connector 2: Motor connector	6
3.3.3	Connector 3: Additional I/O	7
3.3.4	ISP Connector.....	7
3.4	Activity LED.....	7
4	Operational Ratings.....	8
5	Functional Description.....	9
5.1	System Architecture	9
5.1.1	Microcontroller.....	9
5.1.2	EEPROM.....	9
5.1.3	TMC428 Motion Controller	9
5.1.4	TMC246 Motor Driver.....	10
5.2	Power Supply	10
5.3	Communication Interface	10
5.4	Reference Switches	10
5.5	StallGuard™ - Sensorless Motor Stall Detection.....	11
5.6	Motor current setting	11
6	Putting the TMC110 into Operation.....	12
7	TMC110 Operational Description.....	13
7.1	Calculation: Velocity and Acceleration vs. Microstep- and Fullstep Frequency	13
8	Software	15
9	Revision History.....	16
9.1	Documentation Revision	16
9.2	Firmware Revision	16
10	References	17

List of Figures

Figure 3.1:	Mounting holes (all dimensions in millimeters).....	5
Figure 3.2:	The TMC110-42 module	6
Figure 5.1:	Application Environment.....	9

List of Tables

Table 1.1:	Order codes.....	3
Table 3.1:	Connector 1	6
Table 3.2:	Connector 2	6
Table 3.3:	Connector 3	7
Table 4.1:	Operational Ratings.....	8
Table 5.1:	Motor Current Examples.....	11
Table 7.1:	TMC428 Velocity parameters	13
Table 9.1:	Documentation Revisions.....	16
Table 9.2:	Firmware Revisions	16

1 Features

The PD-110-42 is an intelligent stepper motor controller and driver module mounted directly on a 42mm flange motor. The TMCM-110 module converts the motor into a compact mechatronic device with bus oriented or stand-alone control. The motor, switches, power and the multi purpose I/Os can be connected via small pluggable connectors. The TMCM-110 comes with the PC based software development environment TMCL-IDE for the Trinamic Motion Control Language (TMCL). Using predefined TMCL high level commands like “move to position” or “constant rotation” a rapid and fast development of motion control applications is guaranteed. The TMCM-110 can be controlled via an RS-232, RS-485, I²C or CAN interface (ordering option). Communication traffic is kept very low since all time critical operations, e.g. ramp calculation, are performed onboard. The TMCL program can be stored in the on board EEPROM for stand-alone operation. The firmware of the module can be updated via the serial interface. With the integrated StallGuardTM feature it is possible to detect motor overload or motor stall.

Electrical data

- up to 1.1A coil current RMS (1.5A peak)
- 7V to 34V motor supply voltage
- supports two phase bipolar motors with 0.3A to 1.1A coil current

PANdrive Motor data

- all PANdrive motors optimized for 1A RMS coil current
- please refer to motor data sheet for detailed motor information

Interface

- RS232, RS485, I²C or CAN 2.0b host interface
- 2 inputs for reference and stop switches
- 1 general purpose input and 1 output

Features

- up to 16 times microstepping
- memory for 2048 TMCL commands
- automatic ramp generation in hardware
- on the fly alteration of motor parameters (e.g. position, velocity, acceleration)
- StallGuardTM for sensorless motor stall detection
- full step frequencies up to 20kHz
- dynamic current control
- TRINAMIC driver technology: No heat sink required

Software

- stand-alone operation using TMCL or remote controlled operation
- PC-based application development software TMCL-IDE included

Other

- pluggable JST connectors
- RoHS compliant latest from 1 July 2006

Order code	Description	Dimensions [mm ³]
PD1-110-42 (-option)	PANdrive 0.27Nm	53 x 42 x 42
PD2-110-42 (-option)	PANdrive 0.35Nm	59 x 42 x 42
PD3-110-42 (-option)	PANdrive 0.49Nm	69 x 42 x 42
TMCM-110-42 (-option)	Motion control module	15 x 42 x 42
Option	Host interface	
232	RS232 interface	
485	RS485 interface	
IIC	IIC interface (I ² C compatible serial 2 wire)	
CAN	CAN interface	

Table 1.1: Order codes

2 Life support policy

TRINAMIC Motion Control GmbH & Co. KG does not authorize or warrant any of its products for use in life support systems, without the specific written consent of TRINAMIC Motion Control GmbH & Co. KG.

Life support systems are equipment intended to support or sustain life, and whose failure to perform, when properly used in accordance with instructions provided, can be reasonably expected to result in personal injury or death.

© TRINAMIC Motion Control GmbH & Co. KG 2005

Information given in this data sheet is believed to be accurate and reliable. However no responsibility is assumed for the consequences of its use nor for any infringement of patents or other rights of third parties, which may result from its use.

Specifications subject to change without notice.

3 Electrical and Mechanical Interfacing

3.1 Dimensions

The overall height of the module is 17mm. The components on back of the module have a height of 5mm and on front 10mm. Beware that connectors on the front are upright.

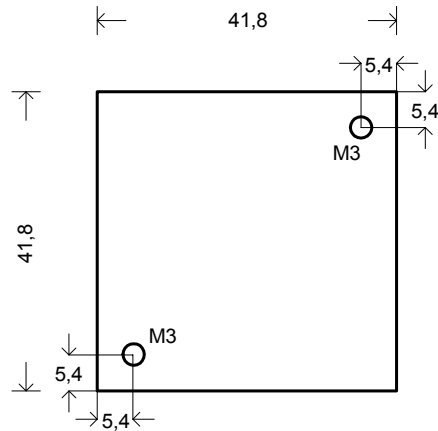


Figure 3.1: Mounting holes (all dimensions in millimeters)

3.2 Connectors

Connector type JST 2mm PH series, the following plugs fit for:

- Motor connector: PHR-4
- Supply / host interface connector: PHR-5
- Additional I/O connector: PHR-8

3.3 Connecting the module

Caveat: Never connect or disconnect a motor when the module is powered, as this may damage the module. Also, the motor driver is not protected against short circuits to ground.

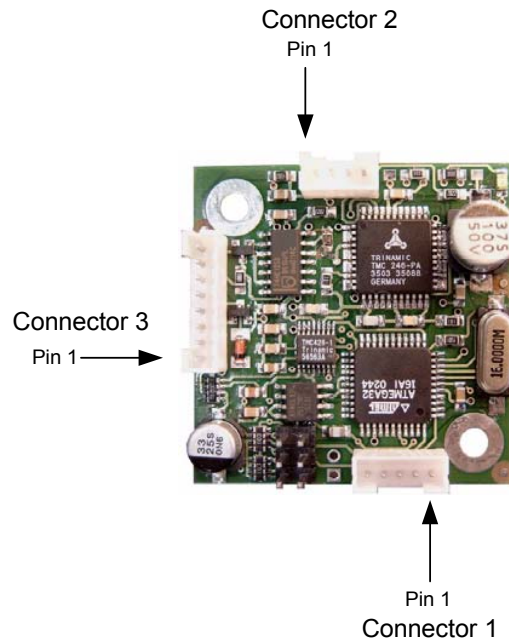


Figure 3.2: The TMCM-110-42 module

3.3.1 Connector 1: Power supply and host interface

Use this connector to connect the power and the host interface (RS232, RS485, IIC or CAN). The pin assignments are different for the four available versions of the module.

Pin	Function			
	RS232	RS485 ¹⁾	IIC	CAN ²⁾
1	GND	GND	GND	GND
2	+7..34V DC	+7..34V DC	+7..34V DC	+7..34V DC
3	GND	GND	GND	GND
4	RxD	RS485+	SCL	CAN +
5	TxD	RS485 -	SDA	CAN -

Table 3.1: Connector 1

¹⁾ The RS485 version is also equipped with a jumper next to connector 1. Closing this jumper terminates the RS485 bus with a resistor of 100 ohms.

²⁾ The CAN version of this module is also equipped with a jumper next to connector 1. Closing this jumper terminates the CAN bus with a resistor of 120 ohms.

3.3.2 Connector 2: Motor connector

Connect a two-phase bipolar stepper motor to this connector. The pin assignment of this connector is as follows:

Pin	Function
1	Phase A1
2	Phase A2
3	Phase B1
4	Phase B2

Table 3.2: Connector 2

3.3.3 Connector 3: Additional I/O

All other inputs and outputs of the module can be connected here. These are the limit switches, a general purpose input and a general purpose output. The limit switch inputs are equipped with internal pull-up resistors, so they have to be connected to GND via normally closed switches. The general purpose input can either be used as a digital TTL input or as an analogue input (0..5V). The general purpose output is an open collector output for a maximum current of 100mA. A freewheeling diode is also included so that e.g. a relay or a coil can be connected directly. Please note that the freewheeling diode is connected to the supply voltage and not to +5V, so when using e.g. a relay that is connected to +5V a freewheeling diode must be connected externally.

The pin assignment of this connector is as follows:

Pin	Name	Function
1	StopL	Left limit switch input (integrated 10K pullup to 5V)
2	StopR	Left limit switch input (integrated 10K pullup to 5V)
3	GND	Signal Ground
4	GPO	General purpose output 0 (open collector, max. 100mA, max. 40V, 1K pullup to 5V integrated)
5	VDD	VDD (same as connector 1, pin 2)
6	GND	Signal Ground
7	GPI	General purpose input (Analog / Digital)
8	+5V	+5V DC output (max. 20mA)

Table 3.3: Connector 3

3.3.4 ISP Connector

The 6-way (2x3) header on the module is the connector for an Atmel ISP programmer which can be used to program the CPU directly. **This is to be done by Trinamic only.** The ISP connector is not to be used by the user. Always leave this connector open.

3.4 Activity LED

The TMCM-110-42 module is equipped with an LED. Some TMCM-110-42 modules are equipped with a yellow LED and some other TMCM-110-42 modules are equipped with a red LED.

During normal operation this LED flashes. After resetting the configuration EEPROM it maybe takes some seconds before the LED starts flashing.

When the operating system is being downloaded to the module the LED lights steadily.

4 Operational Ratings

The operational ratings show the intended / the characteristic range for the values and should be used as design values. In no case shall the maximum values be exceeded.

Symbol	Parameter	Min	Typ	Max	Unit
V_S	Power supply voltage for operation	7	12 ... 30	34*)	V
I_{COIL}	Motor coil current for sine wave peak (chopper regulated, adjustable via software) (adjust via Software)	0	0.4 ... 1.5	1.5	A
I_{MC}	Continuous motor current (RMS)	0	0.3... 1.1	1.1	A
f_{CHOP}	Motor chopper frequency		36.8		kHz
I_S	Power supply current		$\ll I_{COIL}$	$1.4 * I_{COIL}$	A
U_{+5V}	+5V output (max. 20mA load)	4.8	5.0	5.2	V
V_{GPO}	Open collector output, max. 100mA, freewheeling diode included			V_S	V
V_{INPROT}	Input voltage for StopL, StopR, GPIO (internal protection, DC)	-24	0 ... 5	24	V
V_{ANA}	GPIO analog measurement range		0 ... 5		V
V_{STOPLO}	StopL, StopR low level input		0	0.9	V
V_{STOPHI}	StopL, StopR high level input (integrated 10k pullup to +5V)	1.9	5		V
T_{ENV}	Environment temperature at rated current (no forced cooling required)	-40		45	°C
	Environment temperature at 80% of rated current or 50% duty cycle (no forced cooling required)	-40		60	°C

Table 4.1: Operational Ratings

*) Please make sure that you have a TMC246A-PA driver chip on the module when using a supply voltage above 28.5V. All modules produced in 2006 and later have this chip.

5 Functional Description

In Figure 5.1 the main parts of the TMCM-110 module are shown. The module mainly consists of the μC , a TMC428 motion controller, a TMC246 stepper motor driver, the TMCL program memory (EEPROM) and the host interfaces (RS232, RS485, IIC and CAN).

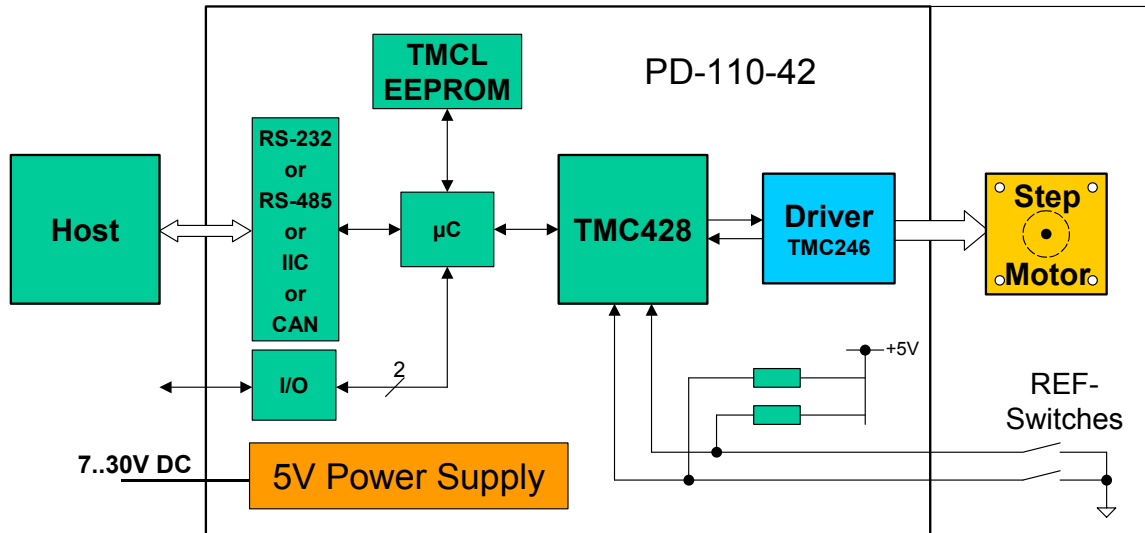


Figure 5.1: Application Environment

5.1 System Architecture

The TMCM-110 integrates a microcontroller with the TMCL (Trinamic Motion Control Language) operating system. The motion control real-time tasks are realized by the TMC428.

5.1.1 Microcontroller

On this module, the Atmel ATmega32 is used to run the TMCL operating system and to control the TMC428. The CPU has 32Kbyte flash memory and a 1Kbyte EEPROM. The microcontroller runs the TMCL (Trinamic Motion Control Language) operating system which makes it possible to execute TMCL commands that are sent to the module from the host via the interface. The microcontroller interprets the TMCL commands and controls the TMC428 which executes the motion commands.

The flash ROM of the microcontroller holds the TMCL operating system and the EEPROM memory of the microcontroller is used to permanently store configuration data.

The TMCL operating system can be updated via the host interface. Please use the latest version of the TMCL IDE to do this. As already mentioned above the Trinamic CANnes card or the Trinamic USB2X interface is needed to connect the module with CAN or IIC interface to the PC to update the OS.

5.1.2 EEPROM

To store TMCL programs for stand alone operation the TMCM-110 module is equipped with a 16kByte EEPROM attached to the microcontroller. The EEPROM can store TMCL programs consisting of up to 2048 TMCL commands.

5.1.3 TMC428 Motion Controller

The TMC428 is a high-performance stepper motor control IC and can control up to three 2-phase-stepper-motors (on this module, only one motor can be used). Motion parameters like speed or acceleration are sent

to the TMC428 via SPI by the microcontroller. Calculation of ramps and speed profiles are done internally by hardware based on the target motion parameters.

5.1.4 TMC246 Motor Driver

The stepper motor driver used on the TMCM-110 module is the TMC246 chip. This driver is very dependable, because it provides a variety of protection and diagnostic features, which even can be read out by the user software. Its 16x up to 32x microstepping gives a quiet and precise motor operation. As the power dissipation of the TMC246 chips is very low no heat sink or cooling fan is needed. The temperature of the chips does not get too high easily. The coils will be switched off automatically when the temperature or the current exceeds the limits and automatically switched on again when the values are within the limits again.

5.2 Power Supply

The TMCM-110-42 is equipped with a linear voltage regulator that generates the 5V supply voltage for the digital components of the module from the motor power supply. So only one supply voltage is needed for the module. The power supply voltage can be 12..30 V DC. A higher voltage gives higher motor dynamics. Please note that there is no protection against reverse polarity or too high voltage.

When using supply voltages near the upper limit of 34V, a regulated power supply becomes a must. Please ensure, that enough power filtering capacitors are provided in the system (470µF or more recommended per motor), in order to absorb mechanical energy fed back by the motor in stalling conditions.

The power supply should be designed in a way, that it supplies the nominal motor voltage at the desired maximum motor power. In no case shall the supply value exceed the upper / lower voltage limit. To ensure reliable operation of the unit, the power supply has to have a sufficient output capacitor and the supply cables should have a low resistance, so that the chopper operation does not lead to an increased power supply ripple directly at the unit. Power supply ripple due to the chopper operation should be kept at a maximum of a few 100mV. This also is important in order to make the users application compatible to any applicable EMC guidelines.

Therefore we recommend to

- a) keep power supply cables as short as possible
- b) use large diameter for power supply cables
- c) if the distance to the power supply is large (i.e. more than 2 - 6m), use a robust 470µF or larger additional filtering capacitor located near to the motor driver unit.

5.3 Communication Interface

The communication between the host and the module takes place via its host interface. This can be either RS232, RS485, IIC or CAN. Please note that the TMCM-110-42 module can only be equipped with one of these interfaces. Communication with the TMCM-110-42 module is done using TMCL commands. The interface the module is equipped with is ready-to-use, so there are no external drivers or level shifters necessary.

Please see chapter 3.3.1 for the pin assignments of the interfaces.

To use the TMCL IDE with CAN interface either the Trinamic CANnes card or the Trinamic USB2X interface is needed. To use the IIC interface with the TMCL IDE the Trinamic USB2X interface is needed.

5.4 Reference Switches

Two digital reference / stop switch inputs are provided (StopL= stop left and StopR = stop right). They are used as an absolute position reference for homing and to set a hardware limit for the motion range. The inputs have internal pullup resistors. Either opto-switches or mechanical switched with normally closed contact can be used. The 5V output can be used as an supply for opto-switches.

5.5 StallGuard™ - Sensorless Motor Stall Detection

The integrated StallGuard™ feature gives a simple means to detect mechanical blocking of the motor. This can be used for precise absolute referencing, when no reference switch is available. The load value can be read using a TMCL command or the module can be programmed so that the motor will be stopped automatically when it has been obstructed or the load has been too high. Just activate StallGuard and then let the traveller run against a mechanical obstacle that is placed at the end of the operation area. When the motor has stopped it is definitely at the end of its way, and this point can be used as the reference position.

Please see the TMCL Reference and Programming Manual on how to activate the StallGuard feature. The TMCL IDE also has some tools which let you try out and adjust the StallGuard function in an easy way. This is also described in the TMCL Reference and Programming Manual.

Please see the TMCL Reference and Programming Manual on how to activate the StallGuard feature. The TMCL IDE also has some tools which let you try out and adjust the StallGuard function in an easy way. This is also described in the TMCL Reference and Programming Manual.

5.6 Motor current setting

The motor current can be set in a range of 0 to 1500, using the TMCL software. 1500 corresponds to the module's maximum I_{COIL} setting.

Setting	$I_{COIL,PP}$	$I_{COIL,RMS}$
1500	1.5A	1.06A
1410	1.41A	1.0A
1100	1.1A	0.8A
800	0.8A	0.6A
600	0.6A	0.4A
400	0.4A	0.3A
0	0A	0A

Table 5.1: Motor Current Examples

6 Putting the TMCM-110 into Operation

On the basis of a small example it is shown step by step how the TMCM-110-42 is set into operation. Users who are already familiar with TMCL and other Trinamic modules may skip this chapter.

Example: The following application is to be implemented on the TMCM-110-42 module using the TMCL-IDE Software development environment.

A formula how “speed” is converted into a physical unit like rotations per seconds can be found in chapter 7.1.

The simple application is:

- Move the Motor to position 150000
- Wait 2 seconds
- Move the Motor back to position 0
- Wait 1 second
- Start again with the first step

To implement this simple application on the TMCM-110-42 it is necessary to do the following things:

- Step 1:** Connect the host interface to the PC
- Step 2:** Connect the motor to the motor connector
- Step 3:** Connect the power supply voltage to the module
- Step 4:** Switch on the power supply. The activity LED should start to flash. This indicates the correct configuration of the microcontroller.
- Step 5:** Start the TMCL-IDE Software development environment. Enter the program shown in the following listing. A description of the TMCL commands can be found in the TMCL Reference and Programming Manual.

```
//A simple example for using TMCL and the TMCL-IDE

SAP 4, 0, 100           //Set the maximum speed

Loop: MVP ABS, 0, 150000 //Move to position 150000
    WAIT POS, 0, 0
    WAIT TICKS, 0, 200
    MVP ABS, 0, 0       //Move back to position 0
    WAIT POS, 0, 0
    WAIT TICKS, 0, 100

    JA Loop            //Infinite Loop
```

- Step 6:** Click the “*Assemble*” icon to convert the TMCL program into byte code. Then download the program to the TMCM-110-42 module by clicking the “Download” icon.

- Step 7:** Click the “Run” icon. The downloaded program will now be executed.

A detailed documentation about the TMCL operations and the TMCL IDE can be found in the TMCL Reference and Programming Manual. The next chapter shows how the velocity and acceleration values are calculated.

7 TMCM-110 Operational Description

7.1 Calculation: Velocity and Acceleration vs. Microstep- and Fullstep Frequency

The values of the parameters sent to the TMC428 do not have typical motor values, like rotations per second as velocity. But these values can be calculated from the TMC428 parameters, as shown in this document. The parameters for the TMC428 are:

Parameter	Description	Range
f_{CLK}	Clock frequency	16 MHz
velocity		0..2047
a_max	Maximum acceleration	0..2047
pulse_div	Velocity pre-divider. The higher the value is, the less is the maximum velocity. Default value = 3 Can be changed in TMCL using SAP 154.	0..13
ramp_div	Acceleration pre-divider. The higher the value is, the less is the maximum acceleration default value = 7 Can be change in TMCL using SAP 153.	0..13
Usrs	Microstep resolution (microsteps per fullstep = 2^{Usrs}). Can be changed in TMCL using SAP 140.	0..6

Table 7.1: TMC428 Velocity parameters

The **microstep-frequency** of the stepper motor is calculated with

$$usf[Hz] = \frac{f_{CLK}[Hz] \cdot velocity}{2^{pulse_div} \cdot 2048 \cdot 32} \text{ with usf: microstep-frequency}$$

To calculate the **fullstep-frequency** from the microstep-frequency, the microstep-frequency must be divided by the number of microsteps per fullstep.

$$fsf[Hz] = \frac{usf[Hz]}{2^{Usrs}} \text{ with fsf: fullstep-frequency}$$

The change in the pulse rate per time unit (microstep frequency change per second – the **acceleration a**) is given by

$$a = \frac{f_{CLK}^2 \cdot a_{max}}{2^{pulse_div+ramp_div+29}}$$

This results in an acceleration in fullsteps of:

$$af = \frac{a}{2^{Usrs}} \text{ with af: acceleration in fullsteps}$$

Example:

f_CLK = 16 MHz on the TMC110 module

velocity = 1000

a_max = 1000

pulse_div = 1

ramp_div = 1

usrs = 6

$$msf = \frac{16 \text{ MHz} \cdot 1000}{2^1 \cdot 2048 \cdot 32} = \underline{\underline{122070.3125 \text{ Hz}}}$$

$$fsf[\text{Hz}] = \frac{122070.3125}{2^6} = \underline{\underline{1907.35 \text{ Hz}}}$$

$$a = \frac{(16 \text{ MHz})^2 \cdot 1000}{2^{1+1+29}} = 119.208 \frac{\text{MHz}}{\text{s}}$$

$$af = \frac{119.208 \frac{\text{MHz}}{\text{s}}}{2^6} = \underline{\underline{1,863 \frac{\text{MHz}}{\text{s}}}}$$

If the stepper motor has e.g. 72 fullsteps per rotation, the number of rotations of the motor is:

$$RPS = \frac{fsf}{\text{fullsteps per rotation}} = \frac{1907.35}{72} = 26.49$$

$$RPM = \frac{fsf \cdot 60}{\text{fullsteps per rotation}} = \frac{1907.35 \cdot 60}{72} = 1589.458$$

8 Software

TMCL, the Trinamic Motion Control Language is used to send commands from the host to the TMCM-110 module and to write programs that can be stored in the EEPROM of the module so that the module can execute the TMCL commands in a stand-alone mode.

TMCL is described in a separate documentation, the TMCL Reference and Programming Manual. This document also describes the TMCL Integrated Development Environment (TMCL IDE), a program running on Windows which allows easy development of TMCL applications.

All the manuals are provided on the TMC TechLib CD and on the web site of TRINAMIC Motion Control GmbH & Co. KG (<http://www.trinamic.com>). Also the latest versions of the firmware (TMCL operating system) and PC software (TMCL IDE) can be found there.

9 Revision History

9.1 Documentation Revision

Version	Comment	Author	Description
1.00	Initial Release	OK	Initial version
1.03	16-Jul-04	OK	CAN interface added
1.10	27-Jul-04	OK	Major revision
1.11	1-Oct-04	OK	Minor error corrections
1.12	4-Oct-04	TG	Corrected mounting dimensions
1.13	23-Dec-05	BD, HC	Added Pan-Drive documentation and major revision

Table 9.1: Documentation Revisions

9.2 Firmware Revision

Version	Comment	Description
3.24	Initial Release	Please refer to TMCL documentation

Table 9.2: Firmware Revisions

10 References

[TMCL]

TMCL manual (see <http://www.trinamic.com>)