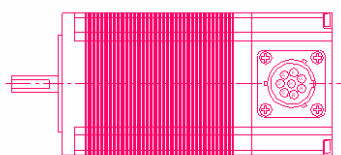
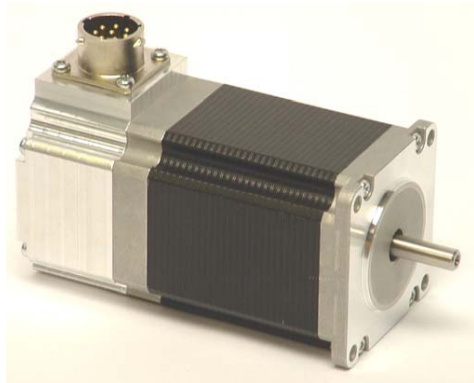
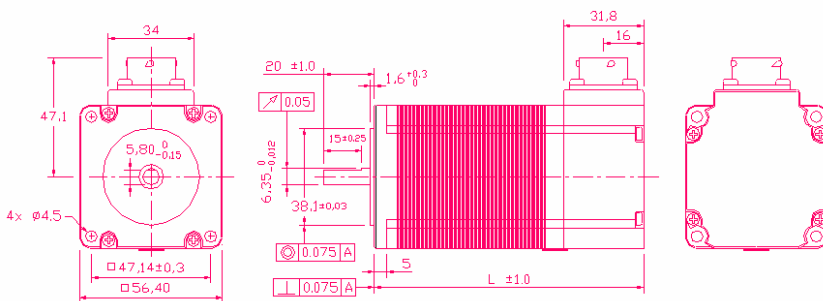


23HT18C series stepper motors with 8-way connector

- Excellent EMC Characteristics
- Simple connection via 8-way connector
- Unipolar, Bipolar Parallel or Series
- High Torque
- Low Vibration
- High Quality
- Special versions available on request



Pin	Colour	Phase
A	Red	1'
B	Red/White	1''
C	Yellow/White	2'
D	Yellow	2''
E	Orange	3'
F	Orange/White	3''
G	Black/White	4'
H	Black	4''



Part Number	Step Angle	Body Length "L"	Unipolar Phase Current	Unipolar Phase Voltage	Unipolar Resistance	Unipolar Inductance	Holding Torque (2 ph on)	Rotor Inertia	Mass
23HT18C130	1.8°	69.5 mm	3A	1.9V	0.63Ω	0.6mH	0.39Nm	0.120kgcm ²	0.65kg
23HT18C230	1.8°	84.5 mm	3A	2.3V	0.75Ω	1.2mH	0.90Nm	0.260kgcm ²	0.95kg
23HT18C330	1.8°	106.5 mm	3A	3.0V	1.00Ω	1.6mH	1.35Nm	0.430kgcm ²	1.2kg
23HT18C435	1.8°	114.5 mm	3.5A	2.8V	0.8Ω	1.4mH	1.4Nm	0.520kgcm ²	1.5kg

UNIPOLAR Values shown - For Bipolar Parallel connection multiply I x √2, V x 1, R x 0.5, L x 1

McLennan Servo Supplies Ltd

Unit 1, The Royston Centre
Lynchford Lane
Ash Vale, Surrey
GU12 5PQ - UK

Tel 08707 700700
Fax 08707 700699
Email sales@mcLennan.co.uk
Web: www.mclennan.co.uk



4291-c