

DOL Starters with Isolator Type EXE2DI



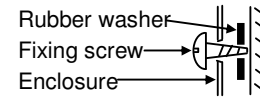
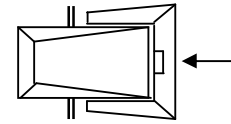
Metal Enclosure to IP65

Installation Instructions

Issue 10

06.012228.10E 0808

- Remove cover from starter by releasing catches with a screwdriver.
- Select and fit Overload (see ratings chart below).
- Connect leads provided from - terminal 14 to Overload 95 and terminal A2 to Overload 96.
- Check operating coil voltage and frequency.
- Remove appropriate top/bottom knockouts. Attach conduit bushes to conduit.
- Mount base on a vertical surface using top keyhole slots for quick positioning and secure with screws in lower plain holes. To maintain environmental protection, ensure that rubber washers are fitted to fixing screws on outside of enclosure. Use large washer for keyhole fixing.
- For on-site control circuit conversions see overleaf.
- Connect conduit bushes.
- Connect cables and ensure that all terminals are tight.
- When installed, set the hand/auto reset selector and adjust the current calibration to the desired value.
- Replace cover and secure catches.



Ratings

Order references		Requires Overload	Overload rating Full load A		Approximate motor rating				Recommended max. fuse size for short circuit protection A
Coil Voltages (50Hz)			min.	max.	400V/3PH AC3		230V/1PH AC3		
230V	400V					KW	hp	KW	hp
122EXE2DI-OL 1TVL401212E5099	124EXE2DI-OL 1TVL401412E5099	TA25DU1.4 1SAZ211201R1023	1.0	1.4	0.37	0.55	0.07	0.09	4
		TA25DU1.8 1SAZ211201R1025	1.3	1.8	0.55	0.75	0.1	0.125	10
		TA25DU2.4 1SAZ211201R1028	1.7	2.4	0.75	1.0	0.18	0.25	
		TA25DU3.1 1SAZ211201R1031	2.2	3.1	1.1	1.5	0.25	0.33	
		TA25DU4.0 1SAZ211201R1033	2.8	4.0	1.5	2.0	0.37	0.5	20
		TA25DU6.5 1SAZ211201R1038	4.5	6.5	2.2	3.0	0.55	0.75	
		TA25DU11 1SAZ211201R1043	7.5	11.0	4.0	5.5	1.1	1.5	35
		TA25DU14 1SAZ211201R1045	10.0	14.0	5.5	7.5	1.5	2.0	
182EXE2DI-OL 1TVL401216E5099	184EXE2DI-OL 1TVL401416E5099	TA25DU19 1SAZ211201R1047	13.0	19.0	7.5	10.0	2.2	3.0	80
312EXE2DI-OL 1TVL401230E5099	314EXE2DI-OL 1TVL401430E5099	TA25DU25 1SAZ211201R1051	18.0	25.0	11.0	15.0	3.0	4.0	
		TA25DU32 1SAZ211201R1053	22.0	32.0	15.0	20.0	4.0	5.5	

Note: This product is not suitable for d.c. applications.

Terminal capacity

Isolator	Main
All ratings	0.75...10mm ²

Overload	Main	Auxiliary
< 7.5kW	4mm ²	1 x 4mm ² /
11kW	4mm ²	2 x 2.5mm ²
15kW	6mm ²	" "



Trip class requirements IEC 947-4-1

1.05 x FLC	No tripping
1.2 x FLC	Trip within 2 hours
1.5 x FLC	Trip within 4 minutes
7.2 x FLC	Trip between 4s and 10s

NOTE: FLC = Full load current

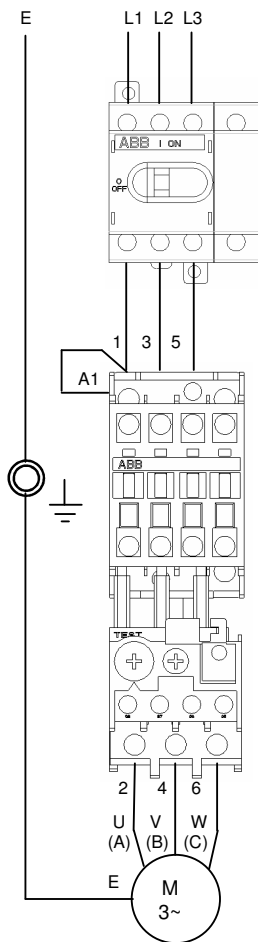
Summary

A direct-on-line motor starter with isolator and ingress protection to IP65. Painted steel enclosure.

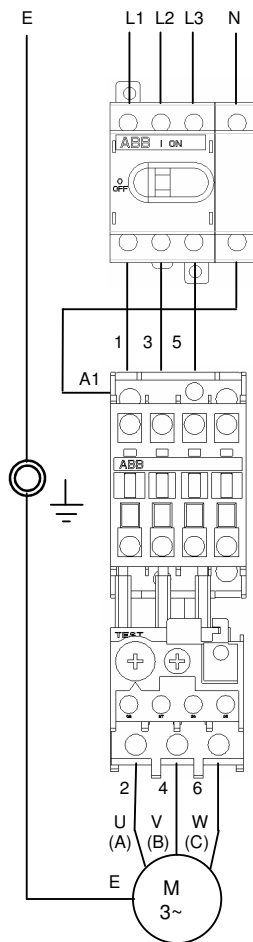
N.B. Space is available to fit standard ABB top and side-mounted auxiliary contact blocks.

Connection Data

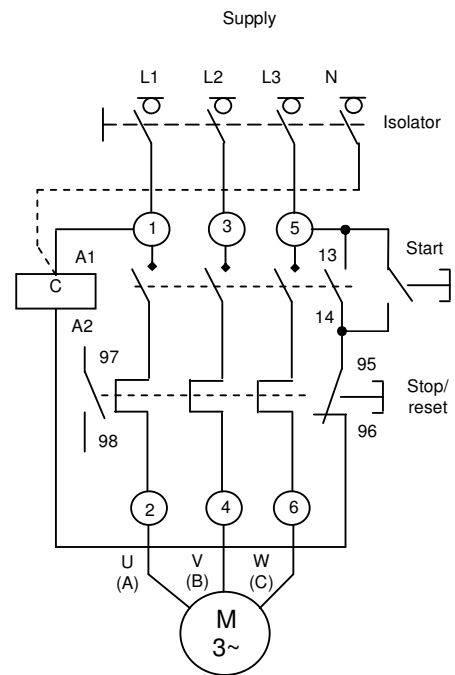
Type 4 EXE2DI (400Vcoil)



Type 2 EXE2DI (230V coil)



Circuit



Council of European Communities Directives: The products in this publication conform to relevant EEC Directives and EN Standards. Installation and use of such products must be carried out by competent, properly trained personnel, complying with any instructions supplied by ABB. Liability for improper incorporation, assembly, use, processing, storing or handling of goods remains the sole responsibility of the individual, or company carrying out such work. This publication is for information only. Whilst every care has been taken in the preparation of this leaflet, no liability is accepted for any consequence of its use. No licence to use any patent should be assumed. All dimensions are approximate only and subject to change without notice, as are other technical features resulting from continual development and improvement.

ABB Limited Tower Court, Foleshill Enterprise Park,
Courtaulds Way, Coventry. CV6 5NX
Tel: 02476 368500
Fax: 02476 364499

ABB