

Brushless motor with integrated electronics

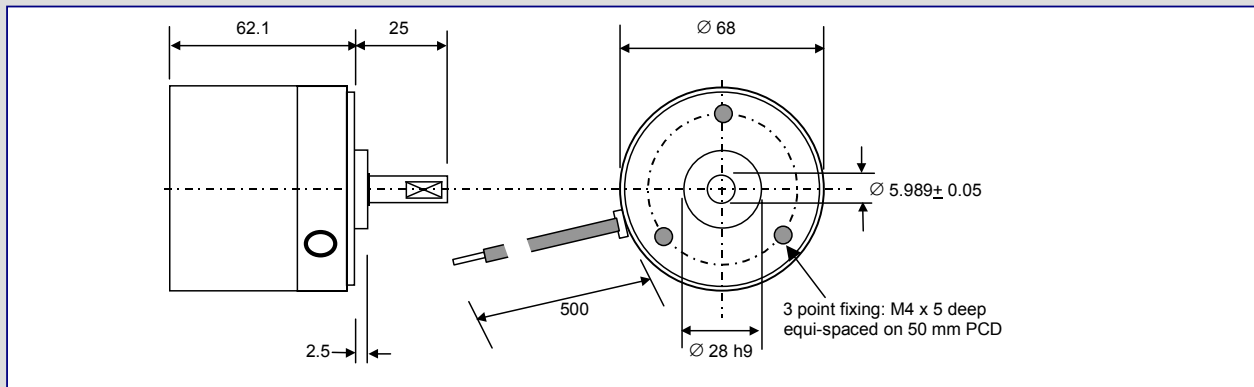
BLDC 58

Description

The BLDC 58 is a variable speed 24 Vdc brushless motor with integrated drive electronics providing up to 50 watts continuous output power and a variable speed proportional to a 0-5 V control signal. The unit provides a compact solution to a variety of light industrial applications such as conveyor drives, paper feed and pump drives. Scientific applications include stirring equipment, peristaltic pumps, mixing machines, as well as any variable speed application that requires long maintenance free life and operating speeds from 100 to 3000 rpm. The motor's design incorporates an external rotor and magnet system which provides particularly smooth running, high grade bearings and drive electronics, all of which are housed in an enclosure suitable for use up to IP55 operating conditions. The inclusion of the drive electronics within the motor greatly simplifies the use of the motor as well as reducing overall system cost.



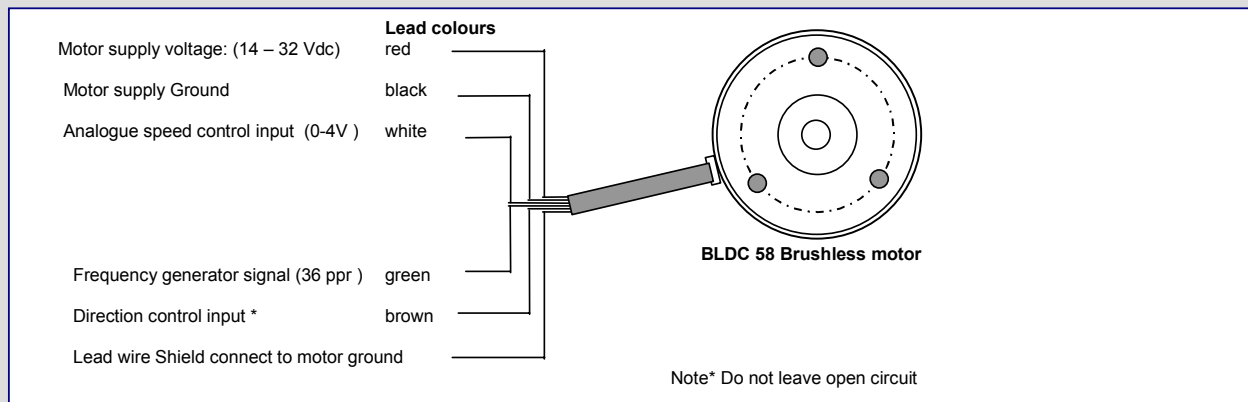
Dimensions: mm



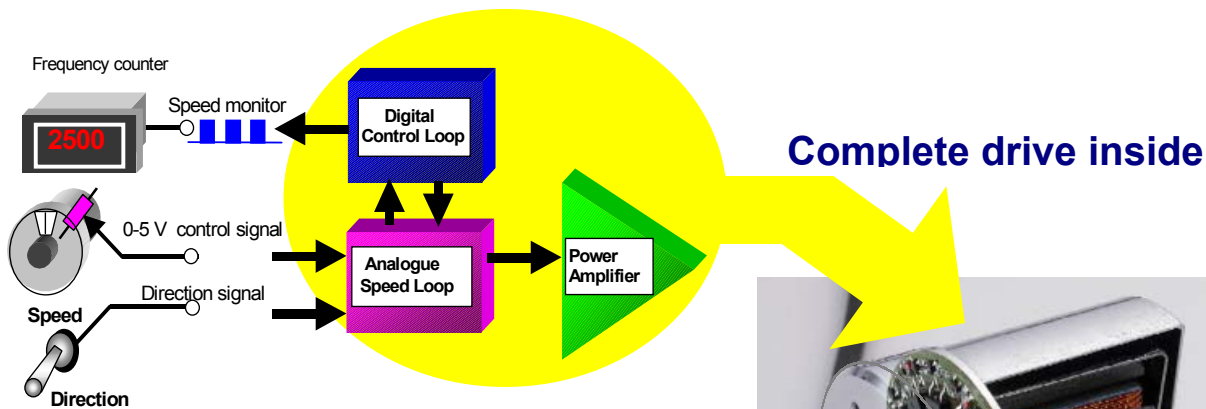
Specification

Order Code		BLDC58-35L	BLDC58-35LEB	BLDC58-50L
Continuous output power	Watts	35	35	50
Internal electronic control circuit		Velocity loop	Velocity loop with brake	Velocity loop
Maximum speed	rpm	3,650	3,650	3,650
Minimum regulated speed	rpm	< 100	1000	< 100
Maximum speed @ rated torque	rpm	3,000	3,000	3,000
Rated Torque	Nm	0.11	0.11	0.17
Braking torque	Nm	N/ A	0.16	N/A
Rotor inertia	Kgcm ²	1.2	1.2	1.2
Motor Supply voltage	Vdc	24	24	24
Motor supply current	Amps	1.9	1.9	2.9
Analogue speed control signal	V/1000 rpm	1.0	Approximately 0.9	1.0
Digital output speed monitor	ppr	36	36	36
Internal Over-temperature protection		standard	standard	standard
Bearing type		Ball	Ball	Ball

Connections:



BLDC 58: Integrated electronics for complete drive solution



The integration of power amplifier and speed loop circuitry within the motor greatly simplifies control.

Simply connect a speed control potentiometer and direction switch for bi-directional velocity control. A digital output signal also enables motor speed to be accurately monitored.

Version with brake

When the control signal input level is $\leq 0.5\text{ V}$ the internal electronics brake is activated to achieve a rapid stop. The brake circuit is not active when the motor is in a stationary condition. However the de-energised detent torque is usually sufficient to retain the position of unbalanced loads when the motor drives through a gear reduction. When the control signal is $> 0.5\text{ V}$ but $< 0.9\text{ V}$ the motor is disabled, thereby creating a deadband for control purposes.

BLDC58 Typical connections for simple speed control

