



PHASE ANGLE POWER 25A ac CONTROL MODULE

PSR-25
X10205

INTRODUCTION

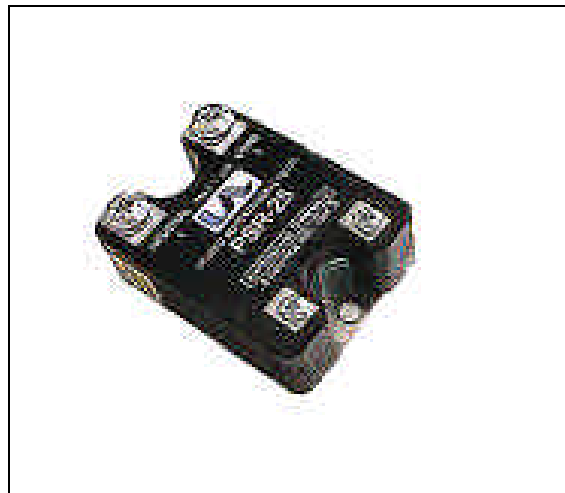
The PSR-25 Power Control Module is a high power, full wave AC phase angle controller in a compact package, capable of regulating up to 6KW (25A) 230V ac. The PSR-25 regulator governs the amount of power supplied to the load, by controlling the phase angle of the AC supply. The low thermal impedance and high electrical isolation provides the equipment designer with a greater flexibility in a wide variety of applications.

APPLICATIONS

Suitable for quartz lamps, conventional resistive heating elements, including ovens, moulders and dryers and some inductive loads (e.g. transformers and motors).

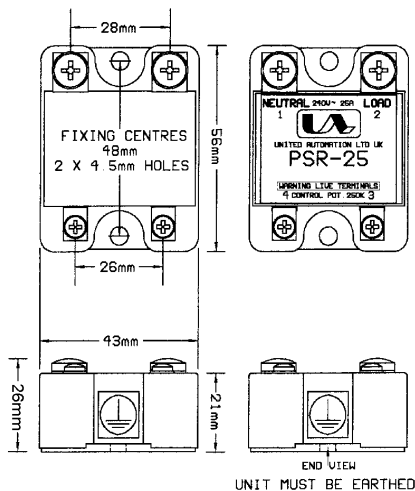
FEATURES

- Solid state reliability.
- Epoxy encapsulated.
- Simple wiring.
- Rugged and compact
- High current capability.
- Internal snubber.



INSTALLATION

DIMENSIONS



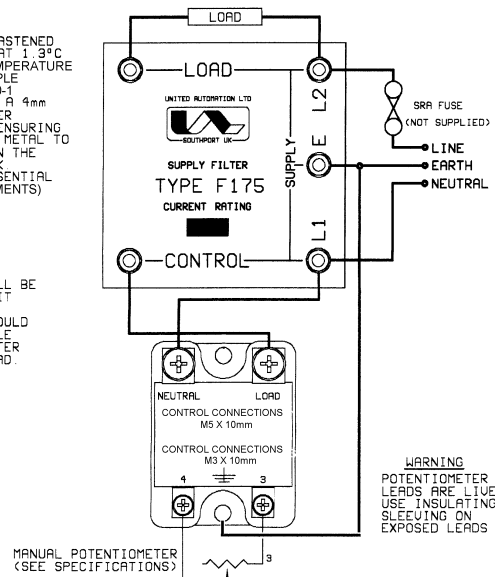
WARNING - LIVE TERMINALS
(SWITCH OFF MAINS BEFORE COMMENCING ANY SERVICING WORK)

FIXING REQUIREMENTS

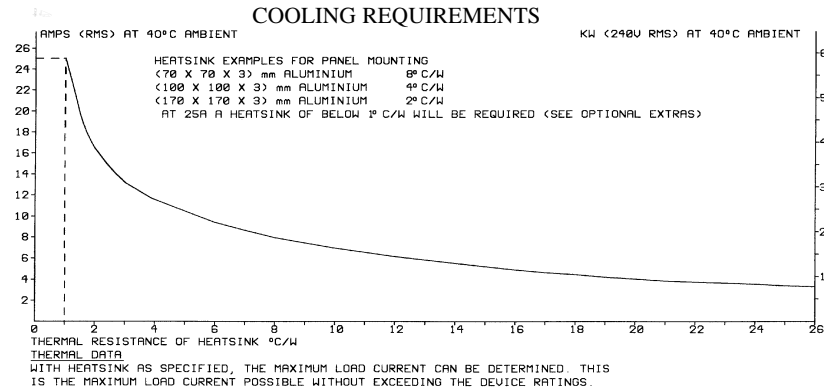
FOR 25A OPERATION THE UNIT SHOULD BE FASTENED TO A HEATSINK RATED AT 1.3°C PER WATT @ AMBIENT TEMPERATURE OF 35°C. A TYPICAL EXAMPLE IS A REDPOINT TYPE IKA100-1 EARTH HEATSINK USING A 4mm SCREW OR BOLT TOGETHER WITH A STAR WASHER, ENSURING THAT THERE IS A GOOD METAL TO METAL CONTACT BETWEEN THE BASE AND THE HEATSINK. HEATSINK PASTE IS ESSENTIAL (SEE COOLING REQUIREMENTS)

A SUITABLE FILTER WILL BE REQUIRED FOR THIS UNIT
NOTE
MAX. LOAD CURRENT SHOULD MATCH NEAREST SUITABLE FILTER e.g. 25A FILTER SHOWN FOR 25A MAX. LOAD.

CONNECTIONS



INSTALLATION



SPECIFICATIONS

AC line voltage	110/230V +/- 10% @ 50/60 Hz	Unit limiting RMS current	25A
Peak one cycle surge (10ms)	250A	Max peak voltage	600Vac
I ² t for fusing	250 A ² s	Minimum operating current	200mA
Isolation voltage	5000Vrms	Leakage current	5mA
Max. operating temperature	65°C	Manual potentiometer(nominal)	250K 1W @ 230Vac
Storage temperature	-20°C to +85°C	Manual potentiometer (nominal)	100K 1W @ 110Vac

FUSING:

It is recommended to use semiconductor (fast acting) type fuses or circuit breakers (Semiconductor - MCB) for unit protection. (See SRA Datasheet for further information).

CE MARKING

This product family carries a "CE marking". These phase angle type controllers require a suitable remote filter. For information see recommendation section and contact our sales desk. (See Declaration of Conformity).

RECOMMENDATION

Other documents available on request, which may be appropriate for your applications.

CODE	IDENTITY	DESCRIPTION
X10229	RFI	Filtering recommendations - addressing the EMC Directive
X10213	ITA	Interaction, uses for phase angle and for burst fire control.
X10255	SRA	Safety requirements - addressing the Low Voltage Directive (LVD) including :- Thermal data/cooling ; "Live" parts warning & Earthing requirements; Fusing recommendations.
AP02/4	COS	UAL Conditions of sale

NOTE It is recommended that installation and maintenance of this equipment should be done with reference to the current edition of the I.E.E. wiring regulations (BS7671) by suitably qualified/trained personnel. The regulations contain important requirements regarding safety of electrical equipment. (For International standards refer to I.E.C directive IEC 950).

ORDER CODE

State part number: PSR 25
 Optional extras include: Potentiometer, FilterHeatsink paste, Heatsink assembly
 Note: When ordering a filter, the current the PSR is to be used at will be required.



UNITED AUTOMATION LIMITED

1 Southport Business Park
 Southport, PR8 4HQ, U.K.

Tel (01704)-565713
 Fax (01704)-569760

Page No 2 of 2 Issue 2 17/07/98

