

DUAL ENTRY SOLENOID KEY OPERATED SAFETY INTERLOCK NOMENCLATURE

GK

BODY / INDICATOR	CONDUIT / SEAL	BASIC II	HEAD	KEY	TYPE / OVER-RIDE	SOLENOID VOLTAGE
L HEAD TO LEFT - WITH INDICATORS	A 1/2 NPT - VITON SEALS	2 2 SNAP ACTION DPDT	L OPENING TO FRONT AND TOP	6 STRAIGHT	A SOLENOID UNLOCK WITH SCREWDRIVER	1 12 VDC
R HEAD TO RIGHT - WITH INDICATORS	B PG 13.5 - VITON SEALS	3 2 SLOW ACTING SPDT BBM	M OPENING TO RIGHT AND TOP	7 90 DEGREE	S SLOT OVER-RIDE	2 24 VDC
F HEAD TO LEFT - WITHOUT INDICATORS	C 20 MM - VITON SEALS	4 SLOW ACTING 2 NC	N OPENING TO BACK AND TOP	8 UP - DOWN, SPRING LOADED	B SOLENOID UNLOCK WITHOUT OVER-RIDE	3 48 VDC
G HEAD TO RIGHT - WITHOUT INDICATORS	D PF 1/2 - VITON SEALS	10 SLOW ACTING 4 NC	P OPENING TO LEFT AND TOP	9 SIDE - SIDE, SPRING LOADED	S SOLENOID LOCK WITH SCREWDRIVER	4 120 VAC
	E 1/2 NPT - BUNA-N SEALS	12 SLOW ACTING 2 NC - 1 NO BBM		X NO KEY	T SLOT OVER-RIDE	6 240 VAC
	F PG 13.5 - BUNA-N SEALS	14 SLOW ACTING 2 NC - 2 NO BBM				
	G 20 MM - BUNA-N SEALS	15 SLOW ACTING 2 NC - 2 NO BBM - GOLD				
	H PF 1/2 - BUNA-N SEALS	16 SLOW ACTING 3 NC - 1 NO BBM				
		30 2 SLOW ACTING 4 NC - GOLD				
		32 2 SLOW ACTING 2 NC - 1 NO BBM - GOLD				
		34 2 SLOW ACTING 2 NC - 2 NO BBM - GOLD				
		36 2 SLOW ACTING 3 NC - 1 NO BBM - GOLD				
		40 2 SLOW ACTING 4 NC				
		42 2 SLOW ACTING 2 NC - 1 NO BBM				
		44 2 SLOW ACTING 2 NC - 2 NO BBM				
		46 2 SLOW ACTING 3 NC - 1 NO BBM				

NOTES

- 1 - ZINC DIECAST BODY AND HEAD WITH STEEL COVER. BODY, HEAD AND COVER FINISHED WITH EPOXY PAINT.
- 2 - PROVIDED WITH PLASTIC SNAP FIT COVER TO PLUG UNUSED KEY ENTRY WINDOW.
- 3 - THE LEFT INDICATOR IS GREEN AND THE RIGHT INDICATOR IS RED. NOT PRESENT ON BODY/INDICATOR CODES F OR G.
- 4 - MAXIMUM OPERATING FREQUENCY (Fmax) : 100 OPS/MIN
- 5 - INSERTION FORCE : 35 N
8 LB
EXTRACTION FORCE : 28 N
6 LB
MAXIMUM SOLENOID LOCKING FORCE : 1000 N
224 LB
- 6 - ROTATE 1/4 TURN CLOCKWISE TO UNLOCK DEVICES WITH HEAD TO LEFT, SOLENOID UNLOCK AND DEVICES WITH HEAD TO RIGHT, SOLENOID LOCK. ROTATE 1/4 TURN COUNTERCLOCKWISE TO UNLOCK DEVICES WITH HEAD TO LEFT, SOLENOID LOCK AND DEVICES WITH HEAD TO RIGHT, SOLENOID UNLOCK.
- 7 - NOT PRESENT ON TYPE/OVER-RIDE CODES B OR T.
- 8 - SWITCH MUST OPERATE BEFORE REACHING MINIMUM INSERTION DISTANCE.
- 9 - T-15 TAMPERPROOF TORX DRIVER BIT PROVIDED.
- 10 - ELECTRICAL RATINGS ARE FOR BASIC SWITCHES.
- 11 - MINIMUM SOLENOID VOLTAGE : 80% DC, 85% AC OF RATED VOLTAGE
MAXIMUM SOLENOID VOLTAGE : 110% OF RATED VOLTAGE
- 12 - SOLENOID POWER : 12 WATTS NOMINAL
- 13 - SEE PAGES 10, 11, 12 AND 13 FOR CIRCUIT DIAGRAMS
- 14 - NO CHANGES CAN BE MADE TO THIS DRAWING WITHOUT JOINT FREIGHT / WAREHOUSE APPROVAL.
- 15 - THE LEFT INDICATOR IS YELLOW AND THE RIGHT INDICATOR IS RED
- 16 - 10-PIN CONNECTOR, BRAD HARRISON PART NO.3R1006AZ1F010 OR EQUIVALENT OR EQUIVALENT
- 17 - 4-PIN CONNECTOR, WOODHEAD PART NO.80599-19 OR MOLEX PART NO.08631M2 OR EQUIVALENT
- 18 - 5-PIN CONNECTOR, BRAD HARRISON PART NO.41310 OR EQUIVALENT
- 19 - CONNECTOR INSTALLED IN BOTTOM CONDUIT HOLE
- 20 - CONNECTOR INSTALLED IN SIDE CONDUIT HOLE
- 21 - "S" MARK APPROVAL APPLICABLE ONLY FOR GKLE4XXXX, GKLE46XXXX, GKRE4XXXX AND GKRE46XXXX SERIES ONLY

ELECTRICAL RATING (A)				ENVIRONMENTAL RATINGS		APPROVALS
AC	DC			IP48 NEMA 1, 4, 6P, 12 & 13		
A300	AC 15	Q300	DC 13	TEMP RANGE	-25°C TO 40°C	
Ue	Ie	Ue	Ie	STORAGE	-13°F TO 104°F	
(VOLTS)	(AMPS)	(VOLTS)	(AMPS)		-40°C TO 120°C	
120	6	24	2.9		-40°F TO 248°F	
240	3	125	.55	SHOCK: 50G PER IEC 68-2-27		
		250	.27	VIBRATION: 10G PER IEC 68-2-6		
11b - 10 A						

THIRD ANGLE PROJECTION

SCALE: 1:1

DO NOT SCALE PRINT

TOLERANCES UNLESS OTHERWISE SPECIFIED

DECIMALS: .0005

FRACTIONS: 1/32

ANGLES: 10'

WELDING: AS SHOWN

UNLESS OTHERWISE SPECIFIED

UNIT: INCHES

WEIGHT: 1.5 kg / 3.3 lb

THIS DRAWING COVERS A PROPRIETARY ITEM AND IS THE PROPERTY OF MICRO SWITCH, A DIVISION OF HONEYWELL. THIS DRAWING IS NOT TO BE COPIED OR USED WITHOUT THE APPROVAL OF MICRO SWITCH.

SEE THE USER MANUAL FOR COMPLETE TESTING

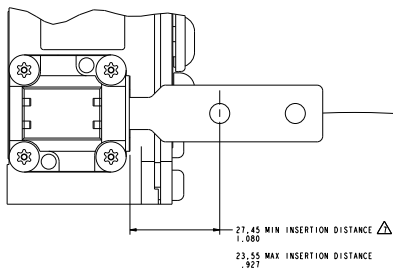
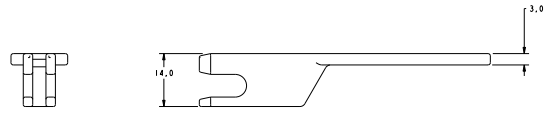
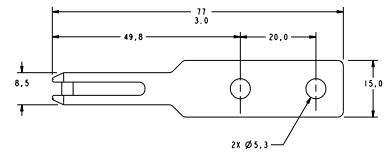
MICRO SWITCH
Honeywell Division

SWITCH - DOOR INTERLOCK

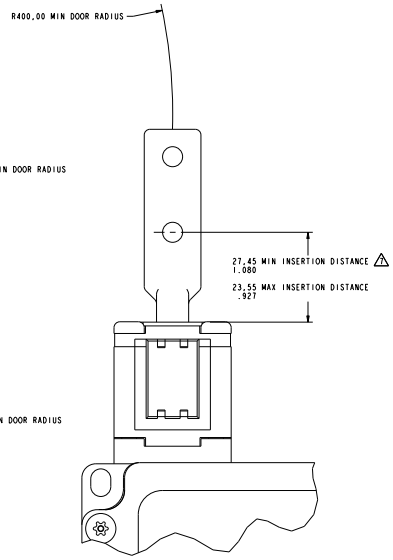
GK SERIES CHART 4

ANSI Y14.5M-1982 APPLICABLE

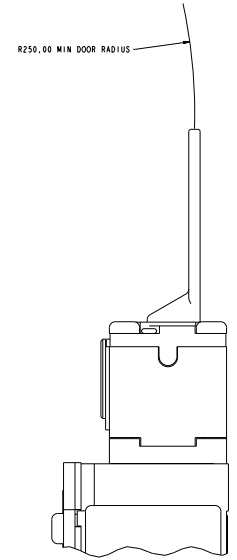
KEY CODE 6



FRONT KEY ENTRY



TOP KEY ENTRY



THIS DRAWING COVERS A PROPRIETARY ITEM AND IS THE PROPERTY OF MICRO SWITCH, A DIVISION OF HONEYWELL. THIS DRAWING IS NOT TO BE COPIED OR USED WITHOUT THE APPROVAL OF MICRO SWITCH.

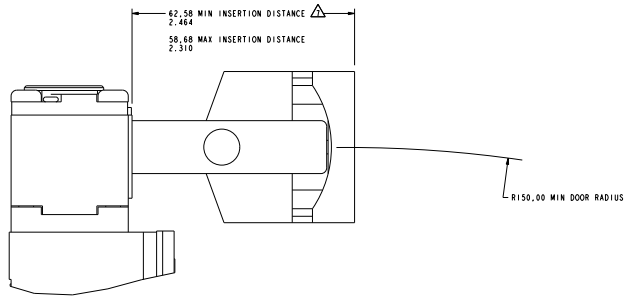
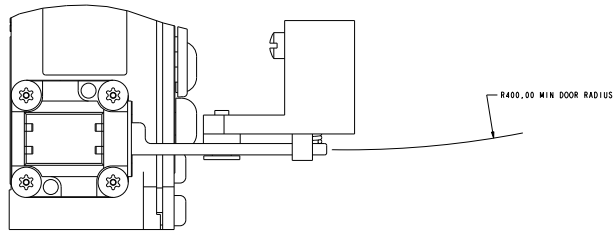
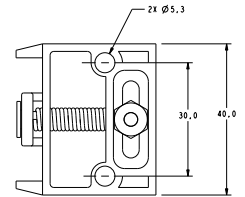
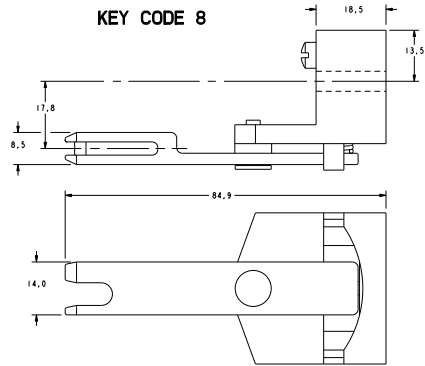
THIS DRAWING IS NOT TO BE COPIED OR USED WITHOUT THE APPROVAL OF MICRO SWITCH.

ANSI Y14.5M-1982 APPLIES

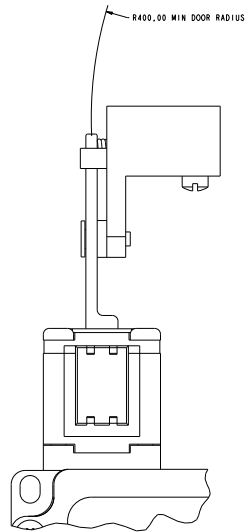
MICRO SWITCH Honeywell Division	SWITCH - DOOR INTERLOCK	GK SERIES CHART 4
------------------------------------	-------------------------	-------------------

THIRD ANGLE PROJECTION	
SCALE	DO NOT SCALE PRINT
TOLERANCES	
UNLESS SPECIFIED OTHERWISE	
FRONT VIEW	±0.05
TOP VIEW	±0.05
RIGHT SIDE VIEW	±0.05
LEFT SIDE VIEW	±0.05
SECTION	±0.05
OTHER UNITS	±0.05
WEIGHT 1.5 KG / 3.3 LB	

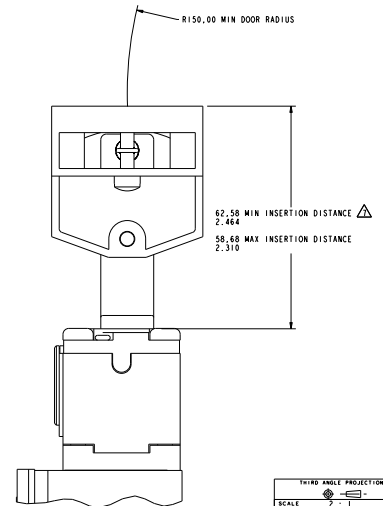
KEY CODE 8



FRONT KEY ENTRY



TOP KEY ENTRY

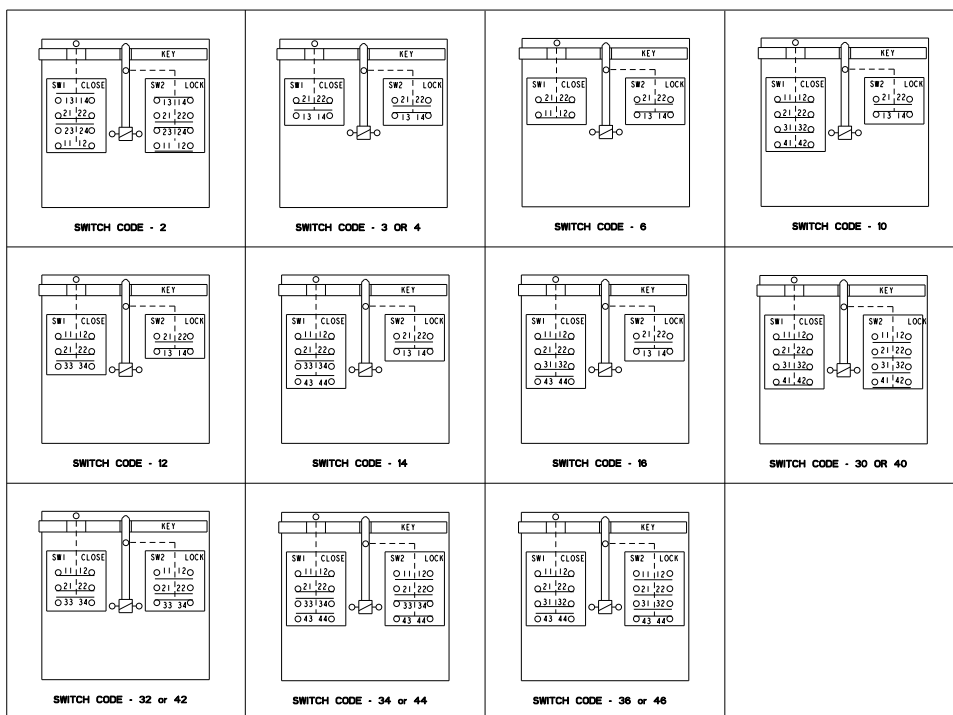


THIRD ANGLE PROJECTION

SCALE	DO NOT SCALE PRINT
TOLERANCES	
UNLESS SHOWN OTHERWISE	
FINISHES	
UNLESS SHOWN OTHERWISE	
WELDER UNITS	
WEIGHT	1.5 KG / 3.3 LB

THIS DRAWING COVERS A PROPRIETARY ITEM AND IS THE PROPERTY OF MICRO SWITCH, A DIVISION OF HONEYWELL. THIS DRAWING IS NOT TO BE COPIED OR USED WITHOUT THE APPROVAL OF MICRO SWITCH.
 MICRO SWITCH
 Honeywell Division
 SWITCH - DOOR INTERLOCK
 GK SERIES CHART 4

ANSI Y14.5M-1982 APPLIES



BODY / INDICATOR CODES - F OR G
 TYPE / OVERRIDE CODES - S OR T
 DIAGRAMS SHOWN WITH KEY INSERTED AND LOCKED

THIS DRAWING COVERS A PROPRIETARY ITEM AND IS THE PROPERTY OF MICRO SWITCH, A DIVISION OF HONEYWELL. THIS DRAWING IS NOT TO BE COPIED OR USED WITHOUT THE APPROVAL OF MICRO SWITCH.
 THE MICRO SWITCH
MICRO SWITCH
 Honeywell Division

SWITCH - DOOR INTERLOCK

MK SERIES CHART 4

THIRD ANGLE PROJECTION	
SCALE	1:1
DO NOT SCALE PRINT	
TOLERANCES	
UNLESS SHOWN OTHERWISE	
FINISH	AS SHOWN
UNIT	INCHES
WEIGHT	1.586 / 3.318

ANSI Y14.5M-1982 APPLIES

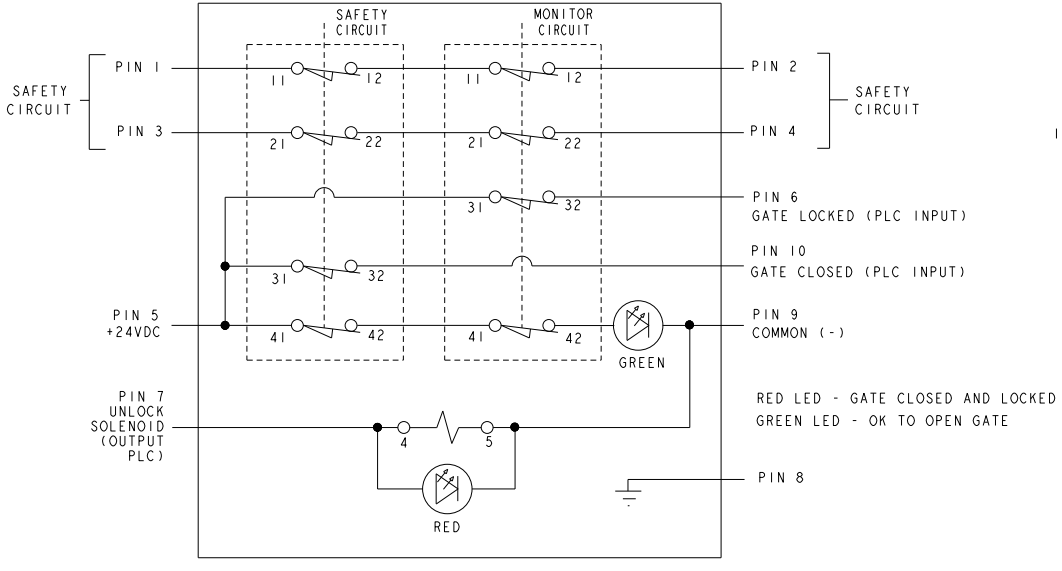
PTC/CAD 3D
 LJK 9 DEC 99
 CHECK JAF 9 DEC 99
 CHECK PRS 04FEB09
 CHECK
 N 0047583
 SK REF009
 ISSUE 52
 M
 PAGE 14 OF 16
 RELEASE NO. PR-24370
 REPLACES -
 CATALOG LISTING GK SERIES CHART 4

MICRO SWITCH
 a Honeywell Division
 FED. MFG. CODE 91929

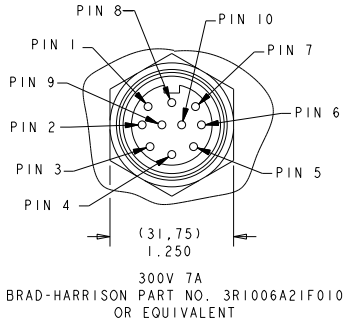
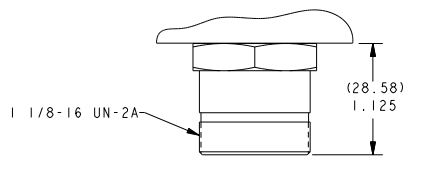
SWITCH-DOOR INTERLOCK
 GK SERIES CHART 4
 CATALOG LISTING

THIS DRAWING COVERS A PROPRIETARY ITEM AND IS THE PROPERTY OF MICRO SWITCH, A DIVISION OF HONEYWELL. THIS DRAWING IS NOT TO BE COPIED OR USED WITHOUT THE APPROVAL OF MICRO SWITCH

MODIFICATION CODE: F05



SWITCH DIAGRAM STATE IS CLOSED AND LOCKED



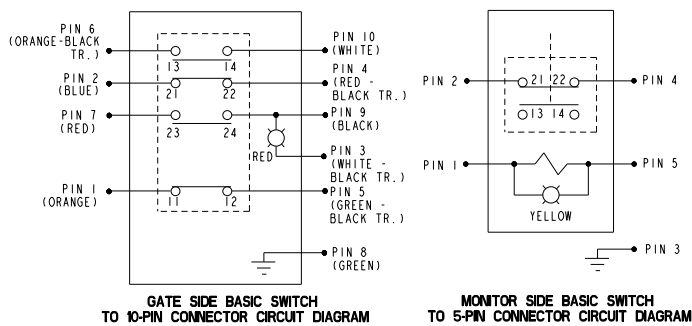
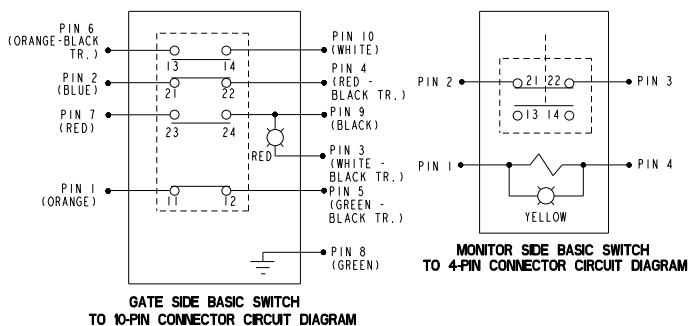
THIRD ANGLE PROJECTION			
NTS			
SCALE			
DO NOT SCALE PRINT			
TOLERANCES			
APPLY TO DESIGN UNITS. CONVERSIONS ARE ONLY FOR REFERENCE. UNLESS NOTED, TOLERANCES ARE:			
	FR.	TOL.	FR.
	CON.	APP.	CON.
NO PLACES	1	±.04	1.1
ONE PLACE	2	±.004	0.30/.05
TWO PLACES	3	±.0005	0.10/.005
THREE PLACES	4	±.00005	0.10/.0005
ANGLES			
DESIGN UNITS	<input checked="" type="checkbox"/> SI METRIC	<input type="checkbox"/> US CUSTOMARY	
WEIGHT 2.3 kg / 5 LB MAX			

ANSI Y14.5M-1982 APPLIES

MODIFICATION CODE: -FW

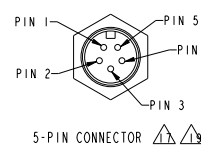
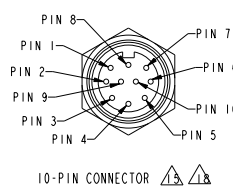
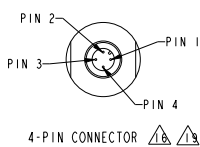
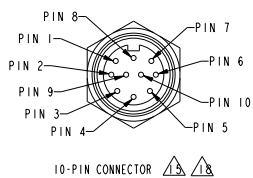
DC SOLENOID VOLTAGE DEVICES

AC SOLENOID VOLTAGE DEVICES



DIAGRAMS SHOWN WITH KEY INSERTED AND LOCKED

DIAGRAMS SHOWN WITH KEY INSERTED AND LOCKED



THIS DRAWING COVERS A PROPRIETARY ITEM AND IS THE PROPERTY OF MICRO SWITCH, A DIVISION OF HONEYWELL. THIS DRAWING IS NOT TO BE COPIED OR USED WITHOUT THE APPROVAL OF MICRO SWITCH.

MICRO SWITCH
a Honeywell Division

SWITCH - DOOR INTERLOCK

CATALOG LISTING
GK SERIES CHART 4

THIRD ANGLE PROJECTION	
SCALE NTS	
DO NOT SCALE PRINT	
TOLERANCES	
APPLY TO DESIGN UNITS. CONVERSIONS ARE ONLY FOR REFERENCE. UNLESS NOTED, TOLERANCES ARE:	
FR	IN
0.0015	0.0005
0.0025	0.0010
0.0050	0.0020
0.0100	0.0040
0.0150	0.0060
0.0200	0.0080
0.0300	0.0120
0.0400	0.0160
0.0500	0.0200
0.0600	0.0240
0.0700	0.0280
0.0800	0.0320
0.0900	0.0360
0.1000	0.0400
0.1200	0.0480
0.1500	0.0600
0.2000	0.0800
0.2500	0.1000
0.3000	0.1200
0.4000	0.1600
0.5000	0.2000
0.6000	0.2400
0.8000	0.3200
1.0000	0.4000
1.2000	0.4800
1.5000	0.6000
2.0000	0.8000
2.5000	1.0000
3.0000	1.2000
4.0000	1.6000
5.0000	2.0000
6.0000	2.4000
8.0000	3.2000
10.0000	4.0000
12.0000	4.8000
15.0000	6.0000
20.0000	8.0000
25.0000	10.0000
30.0000	12.0000
40.0000	16.0000
50.0000	20.0000
60.0000	24.0000
80.0000	32.0000
100.0000	40.0000
120.0000	48.0000
150.0000	60.0000
200.0000	80.0000
250.0000	100.0000
300.0000	120.0000
400.0000	160.0000
500.0000	200.0000
600.0000	240.0000
800.0000	320.0000
1000.0000	400.0000
1200.0000	480.0000
1500.0000	600.0000
2000.0000	800.0000
2500.0000	1000.0000
3000.0000	1200.0000
4000.0000	1600.0000
5000.0000	2000.0000
6000.0000	2400.0000
8000.0000	3200.0000
10000.0000	4000.0000
12000.0000	4800.0000
15000.0000	6000.0000
20000.0000	8000.0000
25000.0000	10000.0000
30000.0000	12000.0000
40000.0000	16000.0000
50000.0000	20000.0000
60000.0000	24000.0000
80000.0000	32000.0000
100000.0000	40000.0000
120000.0000	48000.0000
150000.0000	60000.0000
200000.0000	80000.0000
250000.0000	100000.0000
300000.0000	120000.0000
400000.0000	160000.0000
500000.0000	200000.0000
600000.0000	240000.0000
800000.0000	320000.0000
1000000.0000	400000.0000
1200000.0000	480000.0000
1500000.0000	600000.0000
2000000.0000	800000.0000
2500000.0000	1000000.0000
3000000.0000	1200000.0000
4000000.0000	1600000.0000
5000000.0000	2000000.0000
6000000.0000	2400000.0000
8000000.0000	3200000.0000
10000000.0000	4000000.0000
12000000.0000	4800000.0000
15000000.0000	6000000.0000
20000000.0000	8000000.0000
25000000.0000	10000000.0000
30000000.0000	12000000.0000
40000000.0000	16000000.0000
50000000.0000	20000000.0000
60000000.0000	24000000.0000
80000000.0000	32000000.0000
100000000.0000	40000000.0000
120000000.0000	48000000.0000
150000000.0000	60000000.0000
200000000.0000	80000000.0000
250000000.0000	100000000.0000
300000000.0000	120000000.0000
400000000.0000	160000000.0000
500000000.0000	200000000.0000
600000000.0000	240000000.0000
800000000.0000	320000000.0000
1000000000.0000	400000000.0000
1200000000.0000	480000000.0000
1500000000.0000	600000000.0000
2000000000.0000	800000000.0000
2500000000.0000	1000000000.0000
3000000000.0000	1200000000.0000
4000000000.0000	1600000000.0000
5000000000.0000	2000000000.0000
6000000000.0000	2400000000.0000
8000000000.0000	3200000000.0000
10000000000.0000	4000000000.0000
12000000000.0000	4800000000.0000
15000000000.0000	6000000000.0000
20000000000.0000	8000000000.0000
25000000000.0000	10000000000.0000
30000000000.0000	12000000000.0000
40000000000.0000	16000000000.0000
50000000000.0000	20000000000.0000
60000000000.0000	24000000000.0000
80000000000.0000	32000000000.0000
100000000000.0000	40000000000.0000
120000000000.0000	48000000000.0000
150000000000.0000	60000000000.0000
200000000000.0000	80000000000.0000
250000000000.0000	100000000000.0000
300000000000.0000	120000000000.0000
400000000000.0000	160000000000.0000
500000000000.0000	200000000000.0000
600000000000.0000	240000000000.0000
800000000000.0000	320000000000.0000
1000000000000.0000	400000000000.0000
1200000000000.0000	480000000000.0000
1500000000000.0000	600000000000.0000
2000000000000.0000	800000000000.0000
2500000000000.0000	1000000000000.0000
3000000000000.0000	1200000000000.0000
4000000000000.0000	1600000000000.0000
5000000000000.0000	2000000000000.0000
6000000000000.0000	2400000000000.0000
8000000000000.0000	3200000000000.0000
10000000000000.0000	4000000000000.0000
12000000000000.0000	4800000000000.0000
15000000000000.0000	6000000000000.0000
20000000000000.0000	8000000000000.0000
25000000000000.0000	10000000000000.0000
30000000000000.0000	12000000000000.0000
40000000000000.0000	16000000000000.0000
50000000000000.0000	20000000000000.0000
60000000000000.0000	24000000000000.0000
80000000000000.0000	32000000000000.0000
100000000000000.0000	40000000000000.0000
120000000000000.0000	48000000000000.0000
150000000000000.0000	60000000000000.0000
200000000000000.0000	80000000000000.0000
250000000000000.0000	100000000000000.0000
300000000000000.0000	120000000000000.0000
400000000000000.0000	160000000000000.0000
500000000000000.0000	200000000000000.0000
600000000000000.0000	240000000000000.0000
800000000000000.0000	320000000000000.0000
1000000000000000.0000	400000000000000.0000
1200000000000000.0000	480000000000000.0000
1500000000000000.0000	600000000000000.0000
2000000000000000.0000	800000000000000.0000
2500000000000000.0000	1000000000000000.0000
3000000000000000.0000	1200000000000000.0000
4000000000000000.0000	1600000000000000.0000
5000000000000000.0000	2000000000000000.0000
6000000000000000.0000	2400000000000000.0000
8000000000000000.0000	3200000000000000.0000
10000000000000000.0000	4000000000000000.0000
12000000000000000.0000	4800000000000000.0000
15000000000000000.0000	6000000000000000.0000
20000000000000000.0000	8000000000000000.0000
25000000000000000.0000	10000000000000000.0000
30000000000000000.0000	12000000000000000.0000
40000000000000000.0000	16000000000000000.0000
50000000000000000.0000	20000000000000000.0000
60000000000000000.0000	24000000000000000.0000
80000000000000000.0000	32000000000000000.0000
100000000000000000.0000	40000000000000000.0000
120000000000000000.0000	48000000000000000.0000
150000000000000000.0000	60000000000000000.0000
200000000000000000.0000	80000000000000000.0000
250000000000000000.0000	100000000000000000.0000
300000000000000000.0000	120000000000000000.0000
400000000000000000.0000	160000000000000000.0000
500000000000000000.0000	200000000000000000.0000
600000000000000000.0000	240000000000000000.0000
800000000000000000.0000	320000000000000000.0000
1000000000000000000.0000	400000000000000000.0000
1200000000000000000.0000	480000000000000000.0000
1500000000000000000.0000	600000000000000000.0000
2000000000000000000.0000	800000000000000000.0000
2500000000000000000.0000	1000000000000000000.0000
3000000000000000000.0000	1200000000000000000.0000
4000000000000000000.0000	1600000000000000000.0000
5000000000000000000.0000	2000000000000000000.0000
6000000000000000000.0000	2400000000000000000.0000
8000000000000000000.0000	3200000000000000000.0000
10000000000000000000.0000	4000000000000000000.0000
12000000000000000000.0000	4800000000000000000.0000
15000000000000000000.0000	6000000000000000000.0000
20000000000000000000.0000	8000000000000000000.0000
25000000000000000000.0000	10000000000000000000.0000
30000000000000000000.0000	12000000000000000000.0000
40000000000000000000.0000	16000000000000000000.0000
50000000000000000000.0000	20000000000000000000.0000
60000000000000000000.0000	24000000000000000000.0000
80000000000000000000.0000	32000000000000000000.0000
100000000000000000000.0000	40000000000000000000.0000
120000000000000000000.0000	48000000000000000000.0000
150000000000000000000.0000	60000000000000000000.0000
200000000000000000000.0000	80000000000000000000.0000
250000000000000000000.0000	100000000000000000000.0000
300000000000000000000.0000	120000000000000000000.0000
400000000000000000000.0000	160000000000000000000.0000
500000000000000000000.0000	200000

