


DUAL ENTRY KEY OPERATED SAFETY INTERLOCK NOMENCLATURE




| BODY / INDICATOR | | CONDUIT | BASIC ⁹ | HEAD | KEY | | | | |
|------------------|----------------------|---------|--------------------|------|--|---|--------------------------|---|---------------------------|
| B | NO INDICATOR | A | 1/2 NPT | 1 | SNAP ACTION 1 NC - 1 NO, A600 | L | OPENING TO FRONT AND TOP | 6 | STRAIGHT |
| C | SINGLE LED INDICATOR | B | PG 13.5 | 2 | SNAP ACTION 2 NC - 2 NO, A600 | M | OPENING TO RIGHT AND TOP | 7 | 90 DEGREE |
| D | DOUBLE LED INDICATOR | C | 20 MM | 3 | SLOW ACTING 1 NC - 1 NO BBM, A600 | N | OPENING TO BACK AND TOP | 8 | UP-DOWN - SPRING LOADED |
| | | D | PF 1/2 | 4 | SLOW ACTING 1 NC - 1 NO MBB, A600 | P | OPENING TO LEFT AND TOP | 9 | SIDE-SIDE - SPRING LOADED |
| | | | | 6 | SLOW ACTING 2 NC, A500 | | | X | NO KEY |
| | | | | 7 | SNAP ACTION 1 NC - 1 NO - GOLD, A600 | | | | |
| | | | | 10 | SLOW ACTING 4 NC, A300 | | | | |
| | | | | 12 | SLOW ACTING 2 NC - 1 NO BBM, A300 | | | | |
| | | | | 14 | SLOW ACTING 2 NC - 2 NO BBM, A300 | | | | |
| | | | | 16 | SLOW ACTING 3 NC - 1 NO BBM, A300 | | | | |
| | | | | 30 | SLOW ACTING 4 NC - GOLD, A300 | | | | |
| | | | | 32 | SLOW ACTING 2 NC - 1 NO BBM - GOLD, A300 | | | | |
| | | | | 34 | SLOW ACTING 2 NC - 2 NO BBM - GOLD, A300 | | | | |
| | | | | 36 | SLOW ACTING 3 NC - 1 NO BBM - GOLD, A300 | | | | |

NOTES

- ZINC DIECAST BODY AND HEAD WITH STEEL COVER. BODY, HEAD AND COVER FINISHED WITH EPOXY PAINT
- MINIMUM OPERATING VELOCITY (Vmin) = 10 mm/S
 MAXIMUM OPERATING VELOCITY (Vmax) = 39 in/S
- NO CHANGES CAN BE MADE TO THIS DRAWING WITHOUT JOINT FREEPORT/NEWHOUSE APPROVAL
- INSERTION FORCE = 35N NOM
 EXTRACTION FORCE = 28 N NOM
 8 LB
- SNAP ACTION N.C. CONTACTS: POSITIVE OPENING
 SLOW MAKE AND BREAK N.C. CONTACTS: DIRECT ACTING
- WHEN KEY IS INSERTED: N.C. TERMINALS ARE 11/12, 21/22, 31/32 AND/OR 41/42
 N.O. TERMINALS ARE 13/14, 23/24, 33/34 AND/OR 43/44
- THE MAXIMUM VOLTAGE, V_e OF GKC AND GKD SERIES PRODUCTS IS THE MAXIMUM RATED VOLTAGE OF INDICATION LIGHTS: 12 TO 250 VAC/DC FOR GKC AND 18 TO 30 VDC FOR GKD
- THE LEFT INDICATOR IS GREEN AND IS INTENDED TO INDICATE "POWER ON". THIS FEATURE IS ON GKD SERIES PRODUCTS ONLY.
 THE RIGHT INDICATOR IS YELLOW AND IS INTENDED TO INDICATE "OUTPUT STATUS". THIS FEATURE IS ON GKC AND GKD SERIES PRODUCTS ONLY
 SEE BASIC SWITCH COLUMN FOR VOLTAGE RATING
 T-15 TAMPER PROOF TORX DRIVER BIT PROVIDED
 SWITCH MUST OPERATE BEFORE REACHING MINIMUM INSERTION DISTANCE
 * "S" MARK APPROVAL APPLICABLE ONLY FOR GK TYPE BA14XXX,BA16XXX SERIES ONLY

| ELECTRICAL RATING ⁹ | | | | ENVIRONMENTAL | | APPROVALS |
|--------------------------------|--------|----------------|--------|-------------------------------|--|---|
| AC | | DC | | IP 67 NEMA 1, 4, 12 & 13 | |  IEC 947-5-1 EN50041 |
| A300/A600 | AC15 | O300 | DC13 | TEMP RANGE: -25°C TO 85°C | | |
| U _e ⁹ | | I _e | | -13°F TO 185°F | | |
| (VOLTS) | (AMPS) | (VOLTS) | (AMPS) | STORAGE: -40°C TO 85°C | | |
| 120 | 6 | 24 | 2.8 | -40°F TO 185°F | | |
| 240 | 3 | 125 | .55 | SHOCK: 50G PER IEC 68-2-27 | | |
| 380 | 1.9 | 250 | .27 | VIBRATION: 10G PER IEC 68-2-6 | | |
| 480 | 1.5 | | | | | |
| 500 | 1.4 | | | | | |
| 600 | 1.2 | | | | | |
| I _{th} = 10A | | | | | | |

| |
|--|
| THIRD ANGLE PROJECTION |
| SCALE NONE  |
| DO NOT SCALE PRINT |
| UNLESS OTHERWISE SPECIFIED TOLERANCES ARE |
| ONE PLACE (.01) ±.030 |
| TWO PLACES (.001) ±.015 |
| THREE PLACES (.0001) ±.005 |
| ANGLES ° |
| WEIGHT APPROX .5 KG / 1 LB |

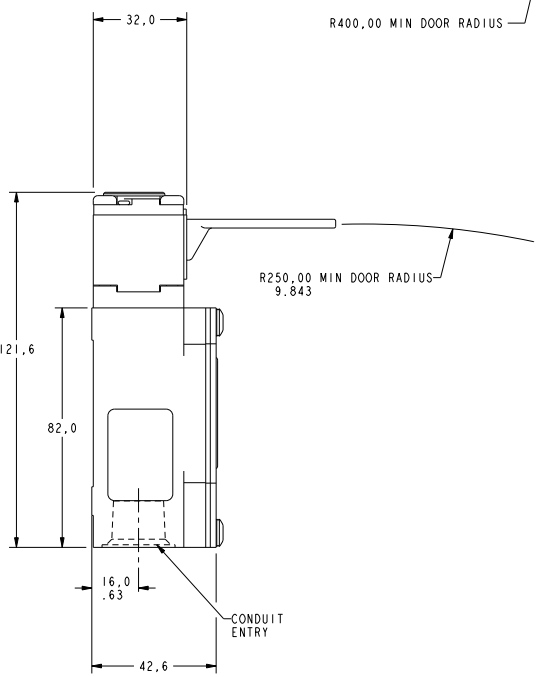
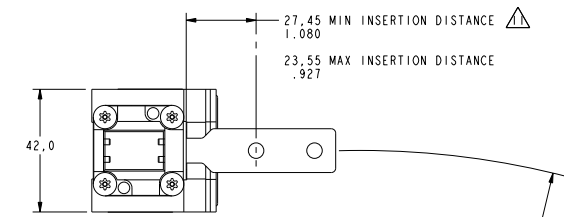


SWITCH - LIMIT

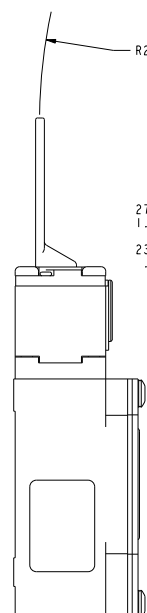
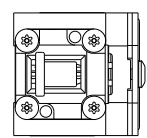
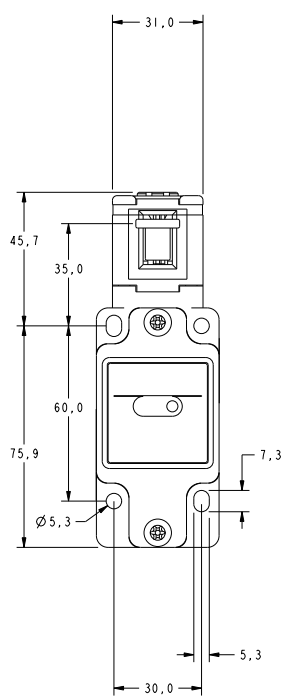
CATALOG LISTING
GK SERIES CHART 3

ANSI Y14.5M-1982 APPLIES

P1C/CAD 10
 DATE: FEB 28 2008
 BY: JIM WILSON
 APPROVED: JIM WILSON
 MFG: 020023008
 REV: 10
 DIM: 129.624
 C: 208916
 D: 287893
 E: 288211
 F: 288212
 G: 288213
 H: 288214
 I: 288215
 J: 288216
 K: 288217
 L: 288218
 M: 288219
 N: 288220
 O: 288221
 P: 288222
 Q: 288223
 R: 288224
 S: 288225
 T: 288226
 U: 288227
 V: 288228
 W: 288229
 X: 288230
 Y: 288231
 Z: 288232



FRONT ENTRY



TOP ENTRY

| | |
|---|---------------|
| THIRD ANGLE PROJECTION | |
| SCALE | FULL |
| DO NOT SCALE PRINT | |
| UNLESS OTHERWISE SPECIFIED TOLERANCES ARE | |
| ONE PLACE | (.01) ±.030 |
| TWO PLACES | (.001) ±.015 |
| THREE PLACES | (.0001) ±.005 |
| ANGLES | ± |
| WEIGHT APPROX .5 KG / 1LB | |

P.T.C./CAD 30
 M.M. 728 AUG 88
 J.F. 17MAY93
 J. 20025008
 J. 0247425
 J. 17JAN09
 P. 020443
 C. 200916
 D. 201903
 E. 201902
 F. 201211
 G. 2000385
 H. 200516
 I. 200443
 J. 200443
 K. 200443
 L. 200443
 M. 200443
 N. 200443
 O. 200443
 P. 200443
 Q. 200443
 R. 200443
 S. 200443
 T. 200443
 U. 200443
 V. 200443
 W. 200443
 X. 200443
 Y. 200443
 Z. 200443
 AA. 200443
 AB. 200443
 AC. 200443
 AD. 200443
 AE. 200443
 AF. 200443
 AG. 200443
 AH. 200443
 AI. 200443
 AJ. 200443
 AK. 200443
 AL. 200443
 AM. 200443
 AN. 200443
 AO. 200443
 AP. 200443
 AQ. 200443
 AR. 200443
 AS. 200443
 AT. 200443
 AU. 200443
 AV. 200443
 AW. 200443
 AX. 200443
 AY. 200443
 AZ. 200443
 BA. 200443
 BB. 200443
 BC. 200443
 BD. 200443
 BE. 200443
 BF. 200443
 BG. 200443
 BH. 200443
 BI. 200443
 BJ. 200443
 BK. 200443
 BL. 200443
 BM. 200443
 BN. 200443
 BO. 200443
 BP. 200443
 BQ. 200443
 BR. 200443
 BS. 200443
 BT. 200443
 BU. 200443
 BV. 200443
 BV. 200443
 BW. 200443
 BX. 200443
 BY. 200443
 BZ. 200443
 CA. 200443
 CB. 200443
 CC. 200443
 CD. 200443
 CE. 200443
 CF. 200443
 CG. 200443
 CH. 200443
 CI. 200443
 CJ. 200443
 CK. 200443
 CL. 200443
 CM. 200443
 CN. 200443
 CO. 200443
 CP. 200443
 CQ. 200443
 CR. 200443
 CS. 200443
 CT. 200443
 CU. 200443
 CV. 200443
 CW. 200443
 CX. 200443
 CY. 200443
 CZ. 200443
 DA. 200443
 DB. 200443
 DC. 200443
 DD. 200443
 DE. 200443
 DF. 200443
 DG. 200443
 DH. 200443
 DI. 200443
 DJ. 200443
 DK. 200443
 DL. 200443
 DM. 200443
 DN. 200443
 DO. 200443
 DP. 200443
 DQ. 200443
 DR. 200443
 DS. 200443
 DT. 200443
 DU. 200443
 DV. 200443
 DW. 200443
 DX. 200443
 DY. 200443
 DZ. 200443
 EA. 200443
 EB. 200443
 EC. 200443
 ED. 200443
 EE. 200443
 EF. 200443
 EG. 200443
 EH. 200443
 EI. 200443
 EJ. 200443
 EK. 200443
 EL. 200443
 EM. 200443
 EN. 200443
 EO. 200443
 EP. 200443
 EQ. 200443
 ER. 200443
 ES. 200443
 ET. 200443
 EU. 200443
 EV. 200443
 EW. 200443
 EX. 200443
 EY. 200443
 EZ. 200443
 FA. 200443
 FB. 200443
 FC. 200443
 FD. 200443
 FE. 200443
 FF. 200443
 FG. 200443
 FH. 200443
 FI. 200443
 FJ. 200443
 FK. 200443
 FL. 200443
 FM. 200443
 FN. 200443
 FO. 200443
 FP. 200443
 FQ. 200443
 FR. 200443
 FS. 200443
 FT. 200443
 FU. 200443
 FV. 200443
 FW. 200443
 FX. 200443
 FY. 200443
 FZ. 200443
 GA. 200443
 GB. 200443
 GC. 200443
 GD. 200443
 GE. 200443
 GF. 200443
 GG. 200443
 GH. 200443
 GI. 200443
 GJ. 200443
 GK. 200443
 GL. 200443
 GM. 200443
 GN. 200443
 GO. 200443
 GP. 200443
 GQ. 200443
 GR. 200443
 GS. 200443
 GT. 200443
 GU. 200443
 GV. 200443
 GW. 200443
 GX. 200443
 GY. 200443
 GZ. 200443
 HA. 200443
 HB. 200443
 HC. 200443
 HD. 200443
 HE. 200443
 HF. 200443
 HG. 200443
 HH. 200443
 HI. 200443
 HJ. 200443
 HK. 200443
 HL. 200443
 HM. 200443
 HN. 200443
 HO. 200443
 HP. 200443
 HQ. 200443
 HR. 200443
 HS. 200443
 HT. 200443
 HU. 200443
 HV. 200443
 HW. 200443
 HX. 200443
 HY. 200443
 HZ. 200443
 IA. 200443
 IB. 200443
 IC. 200443
 ID. 200443
 IE. 200443
 IF. 200443
 IG. 200443
 IH. 200443
 II. 200443
 IJ. 200443
 IK. 200443
 IL. 200443
 IM. 200443
 IN. 200443
 IO. 200443
 IP. 200443
 IQ. 200443
 IR. 200443
 IS. 200443
 IT. 200443
 IU. 200443
 IV. 200443
 IW. 200443
 IX. 200443
 IY. 200443
 IZ. 200443
 JA. 200443
 JB. 200443
 JC. 200443
 JD. 200443
 JE. 200443
 JF. 200443
 JG. 200443
 JH. 200443
 JI. 200443
 JJ. 200443
 JK. 200443
 JL. 200443
 JM. 200443
 JN. 200443
 JO. 200443
 JP. 200443
 JQ. 200443
 JR. 200443
 JS. 200443
 JT. 200443
 JU. 200443
 JV. 200443
 JW. 200443
 JX. 200443
 JY. 200443
 JZ. 200443
 KA. 200443
 KB. 200443
 KC. 200443
 KD. 200443
 KE. 200443
 KF. 200443
 KG. 200443
 KH. 200443
 KI. 200443
 KJ. 200443
 KK. 200443
 KL. 200443
 KM. 200443
 KN. 200443
 KO. 200443
 KP. 200443
 KQ. 200443
 KR. 200443
 KS. 200443
 KT. 200443
 KU. 200443
 KV. 200443
 KW. 200443
 KX. 200443
 KY. 200443
 KZ. 200443
 LA. 200443
 LB. 200443
 LC. 200443
 LD. 200443
 LE. 200443
 LF. 200443
 LG. 200443
 LH. 200443
 LI. 200443
 LJ. 200443
 LK. 200443
 LL. 200443
 LM. 200443
 LN. 200443
 LO. 200443
 LP. 200443
 LQ. 200443
 LR. 200443
 LS. 200443
 LT. 200443
 LU. 200443
 LV. 200443
 LW. 200443
 LX. 200443
 LY. 200443
 LZ. 200443
 MA. 200443
 MB. 200443
 MC. 200443
 MD. 200443
 ME. 200443
 MF. 200443
 MG. 200443
 MH. 200443
 MI. 200443
 MJ. 200443
 MK. 200443
 ML. 200443
 MM. 200443
 MN. 200443
 MO. 200443
 MP. 200443
 MQ. 200443
 MR. 200443
 MS. 200443
 MT. 200443
 MU. 200443
 MV. 200443
 MW. 200443
 MX. 200443
 MY. 200443
 MZ. 200443
 NA. 200443
 NB. 200443
 NC. 200443
 ND. 200443
 NE. 200443
 NF. 200443
 NG. 200443
 NH. 200443
 NI. 200443
 NJ. 200443
 NK. 200443
 NL. 200443
 NM. 200443
 NN. 200443
 NO. 200443
 NP. 200443
 NQ. 200443
 NR. 200443
 NS. 200443
 NT. 200443
 NU. 200443
 NV. 200443
 NW. 200443
 NX. 200443
 NY. 200443
 NZ. 200443
 OA. 200443
 OB. 200443
 OC. 200443
 OD. 200443
 OE. 200443
 OF. 200443
 OG. 200443
 OH. 200443
 OI. 200443
 OJ. 200443
 OK. 200443
 OL. 200443
 OM. 200443
 ON. 200443
 OO. 200443
 OP. 200443
 OQ. 200443
 OR. 200443
 OS. 200443
 OT. 200443
 OU. 200443
 OV. 200443
 OW. 200443
 OX. 200443
 OY. 200443
 OZ. 200443
 PA. 200443
 PB. 200443
 PC. 200443
 PD. 200443
 PE. 200443
 PF. 200443
 PG. 200443
 PH. 200443
 PI. 200443
 PJ. 200443
 PK. 200443
 PL. 200443
 PM. 200443
 PN. 200443
 PO. 200443
 PP. 200443
 PQ. 200443
 PR. 200443
 PS. 200443
 PT. 200443
 PU. 200443
 PV. 200443
 PW. 200443
 PX. 200443
 PY. 200443
 PZ. 200443
 QA. 200443
 QB. 200443
 QC. 200443
 QD. 200443
 QE. 200443
 QF. 200443
 QG. 200443
 QH. 200443
 QI. 200443
 QJ. 200443
 QK. 200443
 QL. 200443
 QM. 200443
 QN. 200443
 QO. 200443
 QP. 200443
 QQ. 200443
 QR. 200443
 QS. 200443
 QT. 200443
 QU. 200443
 QV. 200443
 QW. 200443
 QX. 200443
 QY. 200443
 QZ. 200443
 RA. 200443
 RB. 200443
 RC. 200443
 RD. 200443
 RE. 200443
 RF. 200443
 RG. 200443
 RH. 200443
 RI. 200443
 RJ. 200443
 RK. 200443
 RL. 200443
 RM. 200443
 RN. 200443
 RO. 200443
 RP. 200443
 RQ. 200443
 RR. 200443
 RS. 200443
 RT. 200443
 RU. 200443
 RV. 200443
 RW. 200443
 RX. 200443
 RY. 200443
 RZ. 200443
 SA. 200443
 SB. 200443
 SC. 200443
 SD. 200443
 SE. 200443
 SF. 200443
 SG. 200443
 SH. 200443
 SI. 200443
 SJ. 200443
 SK. 200443
 SL. 200443
 SM. 200443
 SN. 200443
 SO. 200443
 SP. 200443
 SQ. 200443
 SR. 200443
 SS. 200443
 ST. 200443
 SU. 200443
 SV. 200443
 SW. 200443
 SX. 200443
 SY. 200443
 SZ. 200443
 TA. 200443
 TB. 200443
 TC. 200443
 TD. 200443
 TE. 200443
 TF. 200443
 TG. 200443
 TH. 200443
 TI. 200443
 TJ. 200443
 TK. 200443
 TL. 200443
 TM. 200443
 TN. 200443
 TO. 200443
 TP. 200443
 TQ. 200443
 TR. 200443
 TS. 200443
 TT. 200443
 TU. 200443
 TV. 200443
 TW. 200443
 TX. 200443
 TY. 200443
 TZ. 200443
 UA. 200443
 UB. 200443
 UC. 200443
 UD. 200443
 UE. 200443
 UF. 200443
 UG. 200443
 UH. 200443
 UI. 200443
 UJ. 200443
 UK. 200443
 UL. 200443
 UM. 200443
 UN. 200443
 UO. 200443
 UP. 200443
 UQ. 200443
 UR. 200443
 US. 200443
 UT. 200443
 UJ. 200443
 UV. 200443
 UW. 200443
 UX. 200443
 UY. 200443
 UZ. 200443
 VA. 200443
 VB. 200443
 VC. 200443
 VD. 200443
 VE. 200443
 VF. 200443
 VG. 200443
 VH. 200443
 VI. 200443
 VJ. 200443
 VK. 200443
 VL. 200443
 VM. 200443
 VN. 200443
 VO. 200443
 VP. 200443
 VQ. 200443
 VR. 200443
 VS. 200443
 VT. 200443
 VU. 200443
 VV. 200443
 VW. 200443
 VX. 200443
 VY. 200443
 VZ. 200443
 WA. 200443
 WB. 200443
 WC. 200443
 WD. 200443
 WE. 200443
 WF. 200443
 WG. 200443
 WH. 200443
 WI. 200443
 WJ. 200443
 WK. 200443
 WL. 200443
 WM. 200443
 WN. 200443
 WO. 200443
 WP. 200443
 WQ. 200443
 WR. 200443
 WS. 200443
 WT. 200443
 WU. 200443
 WV. 200443
 WW. 200443
 WX. 200443
 WY. 200443
 WZ. 200443
 XA. 200443
 XB. 200443
 XC. 200443
 XD. 200443
 XE. 200443
 XF. 200443
 XG. 200443
 XH. 200443
 XI. 200443
 XJ. 200443
 XK. 200443
 XL. 200443
 XM. 200443
 XN. 200443
 XO. 200443
 XP. 200443
 XQ. 200443
 XR. 200443
 XS. 200443
 XT. 200443
 XU. 200443
 XV. 200443
 XW. 200443
 XX. 200443
 XY. 200443
 XZ. 200443
 YA. 200443
 YB. 200443
 YC. 200443
 YD. 200443
 YE. 200443
 YF. 200443
 YG. 200443
 YH. 200443
 YI. 200443
 YJ. 200443
 YK. 200443
 YL. 200443
 YM. 200443
 YN. 200443
 YO. 200443
 YP. 200443
 YQ. 200443
 YR. 200443
 YS. 200443
 YT. 200443
 YU. 200443
 YV. 200443
 YW. 200443
 YX. 200443
 YZ. 200443
 ZA. 200443
 ZB. 200443
 ZC. 200443
 ZD. 200443
 ZE. 200443
 ZF. 200443
 ZG. 200443
 ZH. 200443
 ZI. 200443
 ZJ. 200443
 ZK. 200443
 ZL. 200443
 ZM. 200443
 ZN. 200443
 ZO. 200443
 ZP. 200443
 ZQ. 200443
 ZR. 200443
 ZS. 200443
 ZT. 200443
 ZU. 200443
 ZV. 200443
 ZW. 200443
 ZX. 200443
 ZY. 200443
 ZZ. 200443

THIS DRAWING COVERS A PROPRIETARY ITEM AND IS THE PROPERTY OF MICRO SWITCH, A DIVISION OF HONEYWELL. THIS DRAWING IS NOT TO BE COPIED OR USED WITHOUT THE APPROVAL OF MICRO SWITCH.

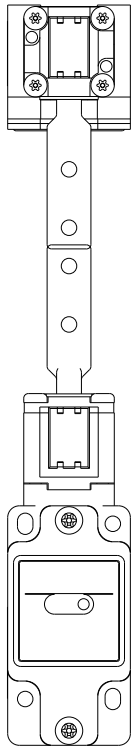
MICRO SWITCH
a Honeywell Division

SWITCH - LIMIT

CATALOG LISTING
MGK SERIES CHART 3

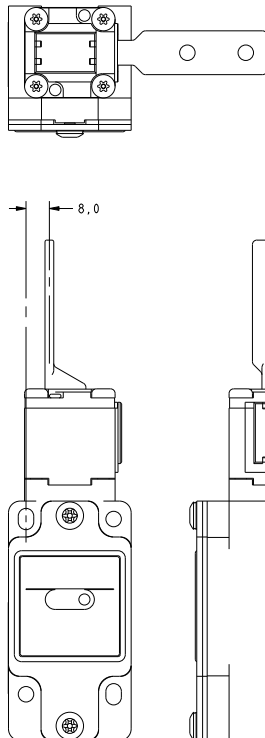
ANSI Y14.5M-1982 APPLIES

FED. MFG. CODE 91929



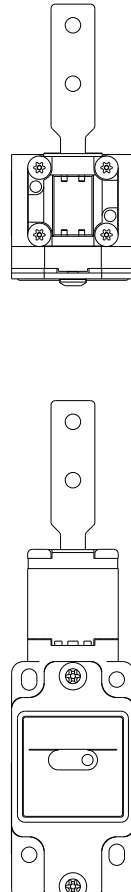
HEAD CODE L

9.0



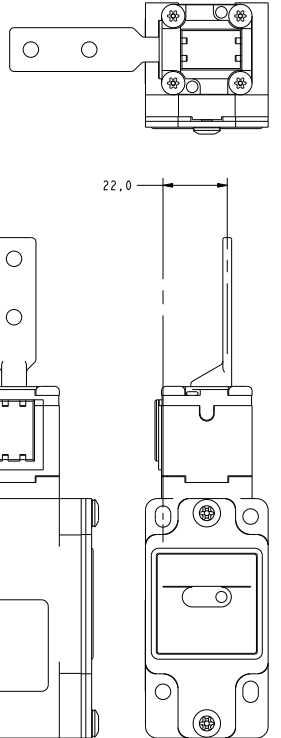
HEAD CODE M

8.0



HEAD CODE N

23.0



HEAD CODE P

22.0

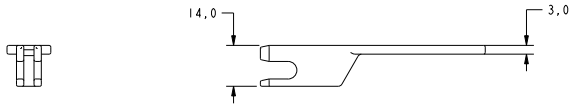
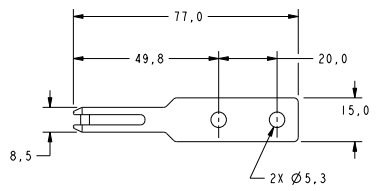
GK SERIES CHART 3
 ISSUE 30
 10/2013
 131 AUG 28
 P.T.C./CAD 130
 MAN 131 AUG 28
 REV 11.0/0205
 REV 10.0/1111
 REV 9.0/0205
 REV 8.0/0803
 REV 7.0/0803
 REV 6.0/0803
 REV 5.0/0803
 REV 4.0/0803
 REV 3.0/0803
 REV 2.0/0803
 REV 1.0/0803
 12/13/13
 2-SEP-06
 RS
 01/JAN/03
 PR-23158

| | | |
|---|----------------|---|
| THIS DRAWING COVERS A PROPRIETARY ITEM AND IS THE PROPERTY OF MICRO SWITCH, A DIVISION OF HONEYWELL. THIS DRAWING IS NOT TO BE COPIED OR USED WITHOUT THE APPROVAL OF MICRO SWITCH. | | |
| MICROSWITCH a Honeywell Division <small>FED. MFG. CODE 91329</small> | SWITCH - LIMIT | CATALOG LISTING GK SERIES CHART 3 |
| THIRD ANGLE PROJECTION | | |
| SCALE FULL | | |
| DO NOT SCALE PRINT | | |
| UNLESS OTHERWISE SPECIFIED TOLERANCES ARE | | |
| ONE PLACE | (.01) | ±.030 |
| TWO PLACES | (.001) | ±.015 |
| THREE PLACES | (.0001) | ±.005 |
| ANGLES | ° | ± |
| WEIGHT APPROX .5 HG / 1 LB | | |

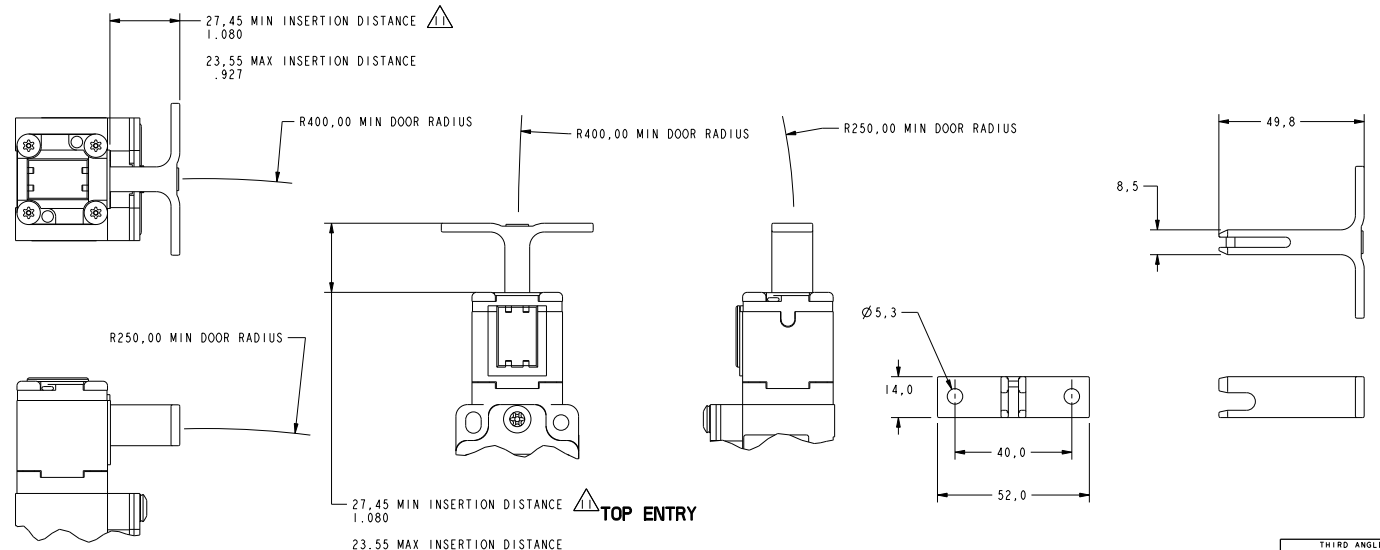
ANSI Y14.5M-1982 APPLIES

P.T.C./CAD 10
 MAN 131 AUG 88
 REV 100
 ISSUE 00
 GK SERIES CHART 3
 PART 4 OF 8
 07 JAN 83
 RS
 21 SEP 82
 DM
 208976
 208977
 208983
 208987
 209211
 209216
 209218
 209219
 209220
 209221
 209222
 209223
 209224
 209225
 209226
 209227
 209228
 209229
 209230
 209231
 209232
 209233
 209234
 209235
 209236
 209237
 209238
 209239
 209240
 209241
 209242
 209243
 209244
 209245
 209246
 209247
 209248
 209249
 209250
 209251
 209252
 209253
 209254
 209255
 209256
 209257
 209258
 209259
 209260
 209261
 209262
 209263
 209264
 209265
 209266
 209267
 209268
 209269
 209270
 209271
 209272
 209273
 209274
 209275
 209276
 209277
 209278
 209279
 209280
 209281
 209282
 209283
 209284
 209285
 209286
 209287
 209288
 209289
 209290
 209291
 209292
 209293
 209294
 209295
 209296
 209297
 209298
 209299
 209300
 209301
 209302
 209303
 209304
 209305
 209306
 209307
 209308
 209309
 209310
 209311
 209312
 209313
 209314
 209315
 209316
 209317
 209318
 209319
 209320
 209321
 209322
 209323
 209324
 209325
 209326
 209327
 209328
 209329
 209330
 209331
 209332
 209333
 209334
 209335
 209336
 209337
 209338
 209339
 209340
 209341
 209342
 209343
 209344
 209345
 209346
 209347
 209348
 209349
 209350
 209351
 209352
 209353
 209354
 209355
 209356
 209357
 209358
 209359
 209360
 209361
 209362
 209363
 209364
 209365
 209366
 209367
 209368
 209369
 209370
 209371
 209372
 209373
 209374
 209375
 209376
 209377
 209378
 209379
 209380
 209381
 209382
 209383
 209384
 209385
 209386
 209387
 209388
 209389
 209390
 209391
 209392
 209393
 209394
 209395
 209396
 209397
 209398
 209399
 209400
 209401
 209402
 209403
 209404
 209405
 209406
 209407
 209408
 209409
 209410
 209411
 209412
 209413
 209414
 209415
 209416
 209417
 209418
 209419
 209420
 209421
 209422
 209423
 209424
 209425
 209426
 209427
 209428
 209429
 209430
 209431
 209432
 209433
 209434
 209435
 209436
 209437
 209438
 209439
 209440
 209441
 209442
 209443
 209444
 209445
 209446
 209447
 209448
 209449
 209450
 209451
 209452
 209453
 209454
 209455
 209456
 209457
 209458
 209459
 209460
 209461
 209462
 209463
 209464
 209465
 209466
 209467
 209468
 209469
 209470
 209471
 209472
 209473
 209474
 209475
 209476
 209477
 209478
 209479
 209480
 209481
 209482
 209483
 209484
 209485
 209486
 209487
 209488
 209489
 209490
 209491
 209492
 209493
 209494
 209495
 209496
 209497
 209498
 209499
 209500
 209501
 209502
 209503
 209504
 209505
 209506
 209507
 209508
 209509
 209510
 209511
 209512
 209513
 209514
 209515
 209516
 209517
 209518
 209519
 209520
 209521
 209522
 209523
 209524
 209525
 209526
 209527
 209528
 209529
 209530
 209531
 209532
 209533
 209534
 209535
 209536
 209537
 209538
 209539
 209540
 209541
 209542
 209543
 209544
 209545
 209546
 209547
 209548
 209549
 209550
 209551
 209552
 209553
 209554
 209555
 209556
 209557
 209558
 209559
 209560
 209561
 209562
 209563
 209564
 209565
 209566
 209567
 209568
 209569
 209570
 209571
 209572
 209573
 209574
 209575
 209576
 209577
 209578
 209579
 209580
 209581
 209582
 209583
 209584
 209585
 209586
 209587
 209588
 209589
 209590
 209591
 209592
 209593
 209594
 209595
 209596
 209597
 209598
 209599
 209600
 209601
 209602
 209603
 209604
 209605
 209606
 209607
 209608
 209609
 209610
 209611
 209612
 209613
 209614
 209615
 209616
 209617
 209618
 209619
 209620
 209621
 209622
 209623
 209624
 209625
 209626
 209627
 209628
 209629
 209630
 209631
 209632
 209633
 209634
 209635
 209636
 209637
 209638
 209639
 209640
 209641
 209642
 209643
 209644
 209645
 209646
 209647
 209648
 209649
 209650
 209651
 209652
 209653
 209654
 209655
 209656
 209657
 209658
 209659
 209660
 209661
 209662
 209663
 209664
 209665
 209666
 209667
 209668
 209669
 209670
 209671
 209672
 209673
 209674
 209675
 209676
 209677
 209678
 209679
 209680
 209681
 209682
 209683
 209684
 209685
 209686
 209687
 209688
 209689
 209690
 209691
 209692
 209693
 209694
 209695
 209696
 209697
 209698
 209699
 209700
 209701
 209702
 209703
 209704
 209705
 209706
 209707
 209708
 209709
 209710
 209711
 209712
 209713
 209714
 209715
 209716
 209717
 209718
 209719
 209720
 209721
 209722
 209723
 209724
 209725
 209726
 209727
 209728
 209729
 209730
 209731
 209732
 209733
 209734
 209735
 209736
 209737
 209738
 209739
 209740
 209741
 209742
 209743
 209744
 209745
 209746
 209747
 209748
 209749
 209750
 209751
 209752
 209753
 209754
 209755
 209756
 209757
 209758
 209759
 209760
 209761
 209762
 209763
 209764
 209765
 209766
 209767
 209768
 209769
 209770
 209771
 209772
 209773
 209774
 209775
 209776
 209777
 209778
 209779
 209780
 209781
 209782
 209783
 209784
 209785
 209786
 209787
 209788
 209789
 209790
 209791
 209792
 209793
 209794
 209795
 209796
 209797
 209798
 209799
 209800
 209801
 209802
 209803
 209804
 209805
 209806
 209807
 209808
 209809
 209810
 209811
 209812
 209813
 209814
 209815
 209816
 209817
 209818
 209819
 209820
 209821
 209822
 209823
 209824
 209825
 209826
 209827
 209828
 209829
 209830
 209831
 209832
 209833
 209834
 209835
 209836
 209837
 209838
 209839
 209840
 209841
 209842
 209843
 209844
 209845
 209846
 209847
 209848
 209849
 209850
 209851
 209852
 209853
 209854
 209855
 209856
 209857
 209858
 209859
 209860
 209861
 209862
 209863
 209864
 209865
 209866
 209867
 209868
 209869
 209870
 209871
 209872
 209873
 209874
 209875
 209876
 209877
 209878
 209879
 209880
 209881
 209882
 209883
 209884
 209885
 209886
 209887
 209888
 209889
 209890
 209891
 209892
 209893
 209894
 209895
 209896
 209897
 209898
 209899
 209900
 209901
 209902
 209903
 209904
 209905
 209906
 209907
 209908
 209909
 209910
 209911
 209912
 209913
 209914
 209915
 209916
 209917
 209918
 209919
 209920
 209921
 209922
 209923
 209924
 209925
 209926
 209927
 209928
 209929
 209930
 209931
 209932
 209933
 209934
 209935
 209936
 209937
 209938
 209939
 209940
 209941
 209942
 209943
 209944
 209945
 209946
 209947
 209948
 209949
 209950
 209951
 209952
 209953
 209954
 209955
 209956
 209957
 209958
 209959
 209960
 209961
 209962
 209963
 209964
 209965
 209966
 209967
 209968
 209969
 209970
 209971
 209972
 209973
 209974
 209975
 209976
 209977
 209978
 209979
 209980
 209981
 209982
 209983
 209984
 209985
 209986
 209987
 209988
 209989
 209990
 209991
 209992
 209993
 209994
 209995
 209996
 209997
 209998
 209999
 210000

M GK SERIES CHART 3



KEY CODE 6



FRONT ENTRY

KEY CODE 7

THIS DRAWING COVERS A PROPRIETARY ITEM AND IS THE PROPERTY OF MICRO SWITCH, A DIVISION OF HONEYWELL. THIS DRAWING IS NOT TO BE COPIED OR USED WITHOUT THE APPROVAL OF MICRO SWITCH.

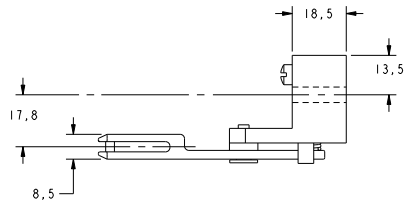
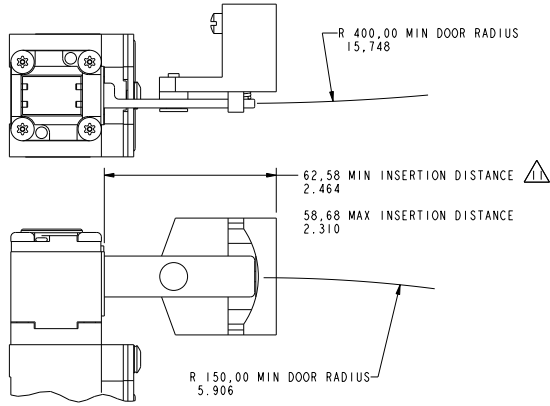
MICROSWITCH
a Honeywell Division

SWITCH - LIMIT

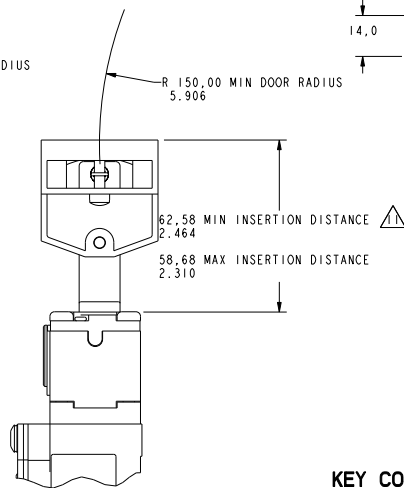
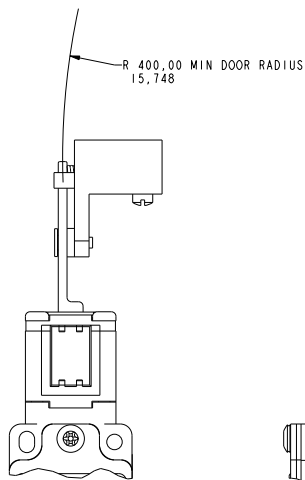
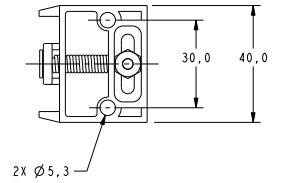
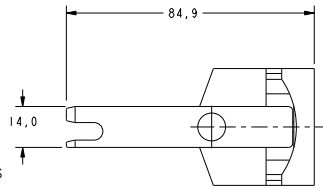
CATALOG LISTING
GK SERIES CHART 3

| | | |
|---|---------|-------|
| THIRD ANGLE PROJECTION | | |
| SCALE FULL | | |
| DO NOT SCALE PRINT | | |
| UNLESS OTHERWISE SPECIFIED TOLERANCES ARE | | |
| ONE PLACE | (.01) | ±.030 |
| TWO PLACES | (.001) | ±.015 |
| THREE PLACES | (.0001) | ±.005 |
| ANGLES | | ± |
| WEIGHT APPROX .5 KG / 1 LB | | |

ANSI Y14.5M-1982 APPLIES



FRONT ENTRY



TOP ENTRY

KEY CODE 8

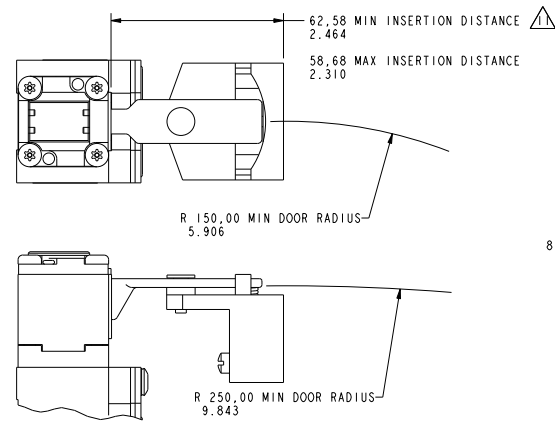
THIS DRAWING COVERS A PROPRIETARY ITEM AND IS THE PROPERTY OF MICRO SWITCH, A DIVISION OF HONEYWELL. THIS DRAWING IS NOT TO BE COPIED OR USED WITHOUT THE APPROVAL OF MICRO SWITCH.

| | | |
|--|-----------------------|--------------------------|
| MICROSWITCH a Honeywell Division FED. MFG. CODE 91329 | SWITCH - LIMIT | GK SERIES CHART 3 |
| | | |

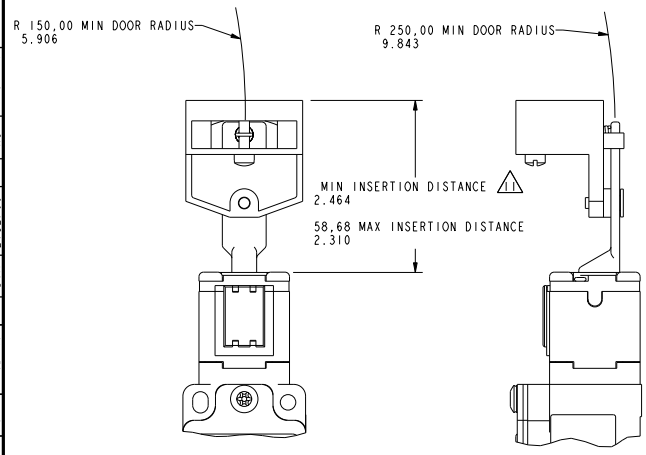
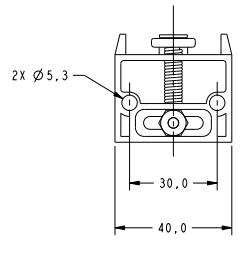
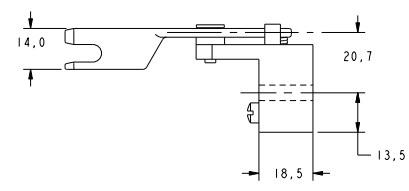
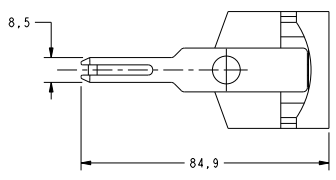
| | | |
|---|---------|-------|
| THIRD ANGLE PROJECTION | | |
| SCALE | FULL | |
| DO NOT SCALE PRINT | | |
| UNLESS OTHERWISE SPECIFIED TOLERANCES ARE | | |
| ONE PLACE | (.01) | ±.030 |
| TWO PLACES | (.001) | ±.015 |
| THREE PLACES | (.0001) | ±.005 |
| ANGLES | | ± |
| WEIGHT APPROX. 5 KG / 1 LB | | |

ANSI Y14.5M-1982 APPLIES

| | | | | |
|-----------|--------|----|-------|--------|
| REVISIONS | DATE | BY | CHKD. | APP'D. |
| A | 208274 | | | |
| B | 208275 | | | |
| C | 208443 | | | |
| D | 208974 | | | |
| E | 208982 | | | |
| F | 209211 | | | |
| G | 209578 | | | |
| H | 209750 | | | |
| I | 209751 | | | |
| J | 210125 | | | |
| K | 210125 | | | |
| L | 210125 | | | |
| M | 210125 | | | |
| N | 210125 | | | |
| O | 210125 | | | |
| P | 210125 | | | |
| Q | 210125 | | | |
| R | 210125 | | | |
| S | 210125 | | | |
| T | 210125 | | | |
| U | 210125 | | | |
| V | 210125 | | | |
| W | 210125 | | | |
| X | 210125 | | | |
| Y | 210125 | | | |
| Z | 210125 | | | |
| AA | 210125 | | | |
| AB | 210125 | | | |
| AC | 210125 | | | |
| AD | 210125 | | | |
| AE | 210125 | | | |
| AF | 210125 | | | |
| AG | 210125 | | | |
| AH | 210125 | | | |
| AI | 210125 | | | |
| AJ | 210125 | | | |
| AK | 210125 | | | |
| AL | 210125 | | | |
| AM | 210125 | | | |
| AN | 210125 | | | |
| AO | 210125 | | | |
| AP | 210125 | | | |
| AQ | 210125 | | | |
| AR | 210125 | | | |
| AS | 210125 | | | |
| AT | 210125 | | | |
| AU | 210125 | | | |
| AV | 210125 | | | |
| AW | 210125 | | | |
| AX | 210125 | | | |
| AY | 210125 | | | |
| AZ | 210125 | | | |
| BAA | 210125 | | | |
| BAB | 210125 | | | |
| BAC | 210125 | | | |
| BAD | 210125 | | | |
| BAE | 210125 | | | |
| BAF | 210125 | | | |
| BAG | 210125 | | | |
| BAH | 210125 | | | |
| BAI | 210125 | | | |
| BAJ | 210125 | | | |
| BAK | 210125 | | | |
| BAL | 210125 | | | |
| BAM | 210125 | | | |
| BAN | 210125 | | | |
| BAO | 210125 | | | |
| BAP | 210125 | | | |
| BAQ | 210125 | | | |
| BAR | 210125 | | | |
| BAS | 210125 | | | |
| BAT | 210125 | | | |
| BAU | 210125 | | | |
| BAV | 210125 | | | |
| BAW | 210125 | | | |
| BAZ | 210125 | | | |
| BBN | 210125 | | | |
| BBP | 210125 | | | |
| BBQ | 210125 | | | |
| BBR | 210125 | | | |
| BBU | 210125 | | | |
| BBV | 210125 | | | |
| BBW | 210125 | | | |
| BBX | 210125 | | | |
| BBY | 210125 | | | |
| BBZ | 210125 | | | |
| BBN | 210125 | | | |
| BBP | 210125 | | | |
| BBQ | 210125 | | | |
| BBR | 210125 | | | |
| BBU | 210125 | | | |
| BBV | 210125 | | | |
| BBW | 210125 | | | |
| BBX | 210125 | | | |
| BBY | 210125 | | | |
| BBZ | 210125 | | | |



FRONT ENTRY



TOP ENTRY

KEY CODE 9

THIS DRAWING COVERS A PROPRIETARY ITEM AND IS THE PROPERTY OF MICRO SWITCH, A DIVISION OF HONEYWELL. THIS DRAWING IS NOT TO BE COPIED OR USED WITHOUT THE APPROVAL OF MICRO SWITCH.

| | | |
|--|-----------------------|--------------------------|
| MICROSWITCH a Honeywell Division | SWITCH - LIMIT | CATALOG LISTING |
| | | GK SERIES CHART 3 |

| | | |
|---|--------------------|-------|
| THIRD ANGLE PROJECTION | | |
| SCALE FULL | DO NOT SCALE PRINT | |
| UNLESS OTHERWISE SPECIFIED TOLERANCES ARE | | |
| ONE PLACE | (.01) | ±.030 |
| TWO PLACES | (.001) | ±.015 |
| THREE PLACES | (.0001) | ±.005 |
| ANGLES | | ± |
| WEIGHT APPROX .5 KG / 1 LB | | |

ANSI Y14.5M-1982 APPLIES

P.T.C./CAD 130
 MAM 1 SEP 98
 REV 15:0895
 A 209374
 B 209374
 C 209374
 D 209374
 E 209374
 F 209374
 G 209374
 H 209374
 I 209374
 J 209374
 K 209374
 L 209374
 M 209374
 N 209374
 O 209374
 P 209374
 Q 209374
 R 209374
 S 209374
 T 209374
 U 209374
 V 209374
 W 209374
 X 209374
 Y 209374
 Z 209374
 AA 209374
 AB 209374
 AC 209374
 AD 209374
 AE 209374
 AF 209374
 AG 209374
 AH 209374
 AI 209374
 AJ 209374
 AK 209374
 AL 209374
 AM 209374
 AN 209374
 AO 209374
 AP 209374
 AQ 209374
 AR 209374
 AS 209374
 AT 209374
 AU 209374
 AV 209374
 AW 209374
 AX 209374
 AY 209374
 AZ 209374
 BA 209374
 BB 209374
 BC 209374
 BD 209374
 BE 209374
 BF 209374
 BG 209374
 BH 209374
 BI 209374
 BJ 209374
 BK 209374
 BL 209374
 BM 209374
 BN 209374
 BO 209374
 BP 209374
 BQ 209374
 BR 209374
 BS 209374
 BT 209374
 BU 209374
 BV 209374
 BW 209374
 BX 209374
 BY 209374
 BZ 209374
 CA 209374
 CB 209374
 CC 209374
 CD 209374
 CE 209374
 CF 209374
 CG 209374
 CH 209374
 CI 209374
 CJ 209374
 CK 209374
 CL 209374
 CM 209374
 CN 209374
 CO 209374
 CP 209374
 CQ 209374
 CR 209374
 CS 209374
 CT 209374
 CU 209374
 CV 209374
 CW 209374
 CX 209374
 CY 209374
 CZ 209374
 DA 209374
 DB 209374
 DC 209374
 DD 209374
 DE 209374
 DF 209374
 DG 209374
 DH 209374
 DI 209374
 DJ 209374
 DK 209374
 DL 209374
 DM 209374
 DN 209374
 DO 209374
 DP 209374
 DQ 209374
 DR 209374
 DS 209374
 DT 209374
 DU 209374
 DV 209374
 DW 209374
 DX 209374
 DY 209374
 DZ 209374
 EA 209374
 EB 209374
 EC 209374
 ED 209374
 EE 209374
 EF 209374
 EG 209374
 EH 209374
 EI 209374
 EJ 209374
 EK 209374
 EL 209374
 EM 209374
 EN 209374
 EO 209374
 EP 209374
 EQ 209374
 ER 209374
 ES 209374
 ET 209374
 EU 209374
 EV 209374
 EW 209374
 EX 209374
 EY 209374
 EZ 209374
 FA 209374
 FB 209374
 FC 209374
 FD 209374
 FE 209374
 FF 209374
 FG 209374
 FH 209374
 FI 209374
 FJ 209374
 FK 209374
 FL 209374
 FM 209374
 FN 209374
 FO 209374
 FP 209374
 FQ 209374
 FR 209374
 FS 209374
 FT 209374
 FU 209374
 FV 209374
 FW 209374
 FX 209374
 FY 209374
 FZ 209374
 GA 209374
 GB 209374
 GC 209374
 GD 209374
 GE 209374
 GF 209374
 GG 209374
 GH 209374
 GI 209374
 GJ 209374
 GK 209374
 GL 209374
 GM 209374
 GN 209374
 GO 209374
 GP 209374
 GQ 209374
 GR 209374
 GS 209374
 GT 209374
 GU 209374
 GV 209374
 GW 209374
 GX 209374
 GY 209374
 GZ 209374
 HA 209374
 HB 209374
 HC 209374
 HD 209374
 HE 209374
 HF 209374
 HG 209374
 HH 209374
 HI 209374
 HJ 209374
 HK 209374
 HL 209374
 HM 209374
 HN 209374
 HO 209374
 HP 209374
 HQ 209374
 HR 209374
 HS 209374
 HT 209374
 HU 209374
 HV 209374
 HW 209374
 HX 209374
 HY 209374
 HZ 209374
 IA 209374
 IB 209374
 IC 209374
 ID 209374
 IE 209374
 IF 209374
 IG 209374
 IH 209374
 II 209374
 IJ 209374
 IK 209374
 IL 209374
 IM 209374
 IN 209374
 IO 209374
 IP 209374
 IQ 209374
 IR 209374
 IS 209374
 IT 209374
 IU 209374
 IV 209374
 IW 209374
 IX 209374
 IY 209374
 IZ 209374
 JA 209374
 JB 209374
 JC 209374
 JD 209374
 JE 209374
 JF 209374
 JG 209374
 JH 209374
 JI 209374
 JJ 209374
 JK 209374
 JL 209374
 JM 209374
 JN 209374
 JO 209374
 JP 209374
 JQ 209374
 JR 209374
 JS 209374
 JT 209374
 JU 209374
 JV 209374
 JW 209374
 JX 209374
 JY 209374
 JZ 209374
 KA 209374
 KB 209374
 KC 209374
 KD 209374
 KE 209374
 KF 209374
 KG 209374
 KH 209374
 KI 209374
 KJ 209374
 KK 209374
 KL 209374
 KM 209374
 KN 209374
 KO 209374
 KP 209374
 KQ 209374
 KR 209374
 KS 209374
 KT 209374
 KU 209374
 KV 209374
 KW 209374
 KX 209374
 KY 209374
 KZ 209374
 LA 209374
 LB 209374
 LC 209374
 LD 209374
 LE 209374
 LF 209374
 LG 209374
 LH 209374
 LI 209374
 LJ 209374
 LK 209374
 LL 209374
 LM 209374
 LN 209374
 LO 209374
 LP 209374
 LQ 209374
 LR 209374
 LS 209374
 LT 209374
 LU 209374
 LV 209374
 LW 209374
 LX 209374
 LY 209374
 LZ 209374
 MA 209374
 MB 209374
 MC 209374
 MD 209374
 ME 209374
 MF 209374
 MG 209374
 MH 209374
 MI 209374
 MJ 209374
 MK 209374
 ML 209374
 MM 209374
 MN 209374
 MO 209374
 MP 209374
 MQ 209374
 MR 209374
 MS 209374
 MT 209374
 MU 209374
 MV 209374
 MW 209374
 MX 209374
 MY 209374
 MZ 209374
 NA 209374
 NB 209374
 NC 209374
 ND 209374
 NE 209374
 NF 209374
 NG 209374
 NH 209374
 NI 209374
 NJ 209374
 NK 209374
 NL 209374
 NM 209374
 NN 209374
 NO 209374
 NP 209374
 NQ 209374
 NR 209374
 NS 209374
 NT 209374
 NU 209374
 NV 209374
 NW 209374
 NX 209374
 NY 209374
 NZ 209374
 OA 209374
 OB 209374
 OC 209374
 OD 209374
 OE 209374
 OF 209374
 OG 209374
 OH 209374
 OI 209374
 OJ 209374
 OK 209374
 OL 209374
 OM 209374
 ON 209374
 OO 209374
 OP 209374
 OQ 209374
 OR 209374
 OS 209374
 OT 209374
 OU 209374
 OV 209374
 OW 209374
 OX 209374
 OY 209374
 OZ 209374
 PA 209374
 PB 209374
 PC 209374
 PD 209374
 PE 209374
 PF 209374
 PG 209374
 PH 209374
 PI 209374
 PJ 209374
 PK 209374
 PL 209374
 PM 209374
 PN 209374
 PO 209374
 PP 209374
 PQ 209374
 PR 209374
 PS 209374
 PT 209374
 PU 209374
 PV 209374
 PW 209374
 PX 209374
 PY 209374
 PZ 209374
 QA 209374
 QB 209374
 QC 209374
 QD 209374
 QE 209374
 QF 209374
 QG 209374
 QH 209374
 QI 209374
 QJ 209374
 QK 209374
 QL 209374
 QM 209374
 QN 209374
 QO 209374
 QP 209374
 QQ 209374
 QR 209374
 QS 209374
 QT 209374
 QU 209374
 QV 209374
 QW 209374
 QX 209374
 QY 209374
 QZ 209374
 RA 209374
 RB 209374
 RC 209374
 RD 209374
 RE 209374
 RF 209374
 RG 209374
 RH 209374
 RI 209374
 RJ 209374
 RK 209374
 RL 209374
 RM 209374
 RN 209374
 RO 209374
 RP 209374
 RQ 209374
 RR 209374
 RS 209374
 RT 209374
 RU 209374
 RV 209374
 RW 209374
 RX 209374
 RY 209374
 RZ 209374
 SA 209374
 SB 209374
 SC 209374
 SD 209374
 SE 209374
 SF 209374
 SG 209374
 SH 209374
 SI 209374
 SJ 209374
 SK 209374
 SL 209374
 SM 209374
 SN 209374
 SO 209374
 SP 209374
 SQ 209374
 SR 209374
 SS 209374
 ST 209374
 SU 209374
 SV 209374
 SW 209374
 SX 209374
 SY 209374
 SZ 209374
 TA 209374
 TB 209374
 TC 209374
 TD 209374
 TE 209374
 TF 209374
 TG 209374
 TH 209374
 TI 209374
 TJ 209374
 TK 209374
 TL 209374
 TM 209374
 TN 209374
 TO 209374
 TP 209374
 TQ 209374
 TR 209374
 TS 209374
 TT 209374
 TU 209374
 TV 209374
 TW 209374
 TX 209374
 TY 209374
 TZ 209374
 UA 209374
 UB 209374
 UC 209374
 UD 209374
 UE 209374
 UF 209374
 UG 209374
 UH 209374
 UI 209374
 UJ 209374
 UK 209374
 UL 209374
 UM 209374
 UN 209374
 UO 209374
 UP 209374
 UQ 209374
 UR 209374
 US 209374
 UT 209374
 UY 209374
 UZ 209374
 VA 209374
 VB 209374
 VC 209374
 VD 209374
 VE 209374
 VF 209374
 VG 209374
 VH 209374
 VI 209374
 VJ 209374
 VK 209374
 VL 209374
 VM 209374
 VN 209374
 VO 209374
 VP 209374
 VQ 209374
 VR 209374
 VS 209374
 VT 209374
 VY 209374
 VZ 209374
 WA 209374
 WB 209374
 WC 209374
 WD 209374
 WE 209374
 WF 209374
 WG 209374
 WH 209374
 WI 209374
 WJ 209374
 WK 209374
 WL 209374
 WM 209374
 WN 209374
 WO 209374
 WP 209374
 WQ 209374
 WR 209374
 WS 209374
 WT 209374
 WY 209374
 WZ 209374
 XA 209374
 XB 209374
 XC 209374
 XD 209374
 XE 209374
 XF 209374
 XG 209374
 XH 209374
 XI 209374
 XJ 209374
 XK 209374
 XL 209374
 XM 209374
 XN 209374
 XO 209374
 XP 209374
 XQ 209374
 XR 209374
 XS 209374
 XT 209374
 XY 209374
 XZ 209374
 YA 209374
 YB 209374
 YC 209374
 YD 209374
 YE 209374
 YF 209374
 YG 209374
 YH 209374
 YI 209374
 YJ 209374
 YK 209374
 YL 209374
 YM 209374
 YN 209374
 YO 209374
 YP 209374
 YQ 209374
 YR 209374
 YS 209374
 YT 209374
 YY 209374
 YZ 209374
 ZA 209374
 ZB 209374
 ZC 209374
 ZD 209374
 ZE 209374
 ZF 209374
 ZG 209374
 ZH 209374
 ZI 209374
 ZJ 209374
 ZK 209374
 ZL 209374
 ZM 209374
 ZN 209374
 ZO 209374
 ZP 209374
 ZQ 209374
 ZR 209374
 ZS 209374
 ZT 209374
 ZY 209374
 ZZ 209374

MICRO SWITCH
a Honeywell Division
FED. MFG. CODE 91929

SWITCH - DOOR INTERLOCK

CATALOG LISTING
GK SERIES CHART 3

THIS DRAWING COVERS A PROPRIETARY ITEM AND IS THE PROPERTY OF MICRO SWITCH, A DIVISION OF HONEYWELL. THIS DRAWING IS NOT TO BE COPIED OR USED WITHOUT THE APPROVAL OF MICRO SWITCH

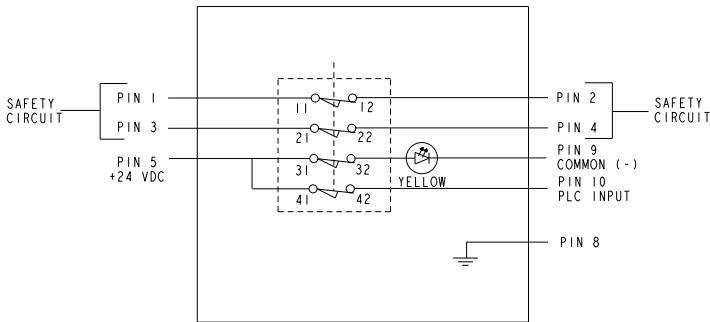
CATALOG LISTING
GK SERIES CHART 3

ISSUE **30** OF **8**
PAGE **7** OF **8**
RELEASE NO. PR-23758
REPLACES

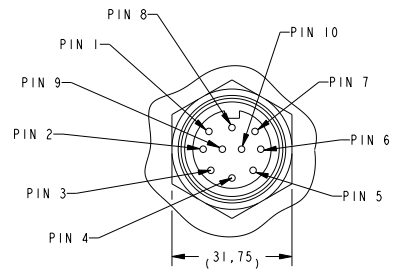
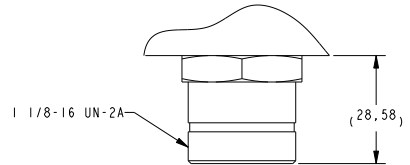
| REV | DATE | BY | CHK | DWG |
|-----|--------|----|-----|-----|
| A | 206394 | SM | | |
| B | 206443 | SM | | |
| C | 206976 | SM | | |
| D | 207003 | SM | | |
| E | 207211 | SM | | |
| F | 207576 | SM | | |
| G | 208035 | SM | | |
| H | 208508 | SM | | |
| J | 208742 | SM | | |

ANSI Y14.5M-1982 APPLIES

MODIFICATION CODE: F06



SWITCH DIAGRAM STATE SHOWN WITH KEY INSERTED



300V 2.5A
BRAD HARRISON PART NO. 47205-22
OR EQUIVALENT

| THIRD ANGLE PROJECTION | | | |
|--|-------------------------------------|-------|--------------------------|
| DO NOT SCALE PRINT | | | |
| TOLERANCES | | | |
| APPLY TO DESIGN UNITS. CONVERSIONS ARE ONLY FOR REFERENCE. UNLESS NOTED, TOLERANCES ARE: | | | |
| | FR. | TOL. | FR. |
| | MM | MM± | IN |
| NO PLACES | ± | 0.04 | ± |
| ONE PLACE | ± | 0.075 | ± |
| TWO PLACES | ± | 0.157 | ± |
| THREE PLACES | ± | 0.311 | ± |
| ANGLES | SI METRIC | | US CUSTOMARY |
| DESIGN UNITS | <input checked="" type="checkbox"/> | | <input type="checkbox"/> |
| WEIGHT APPROX .5KG / 1LB | | | |

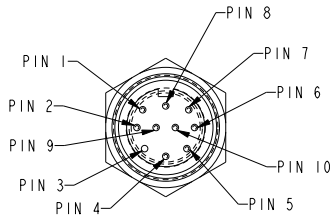
MICRO SWITCH
a Honeywell Division
FED. MFG. CODE 91929

SWITCH - DOOR INTERLOCK

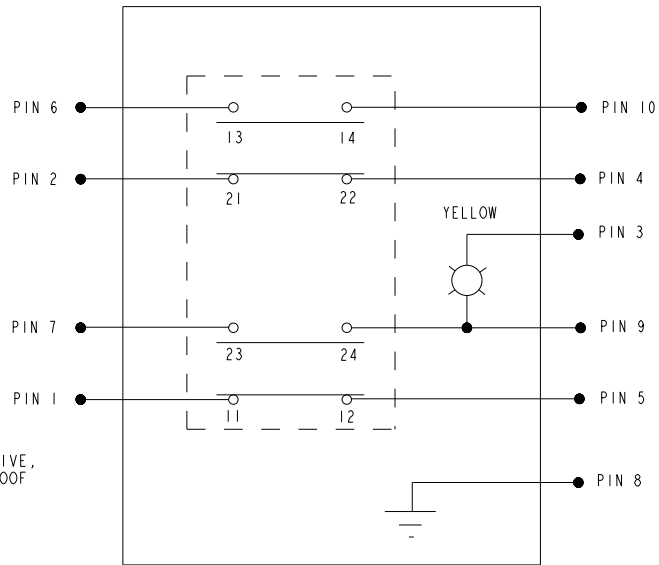
CATALOG LISTING
GK SERIES CHART 3

THIS DRAWING COVERS A PROPRIETARY ITEM AND IS THE PROPERTY OF MICRO SWITCH, A DIVISION OF HONEYWELL. THIS DRAWING IS NOT TO BE COPIED OR USED WITHOUT THE APPROVAL OF MICRO SWITCH

MODIFICATION CODE: FW



10-PIN CONNECTOR



**BASIC SWITCH TO 10-PIN CONNECTOR
CIRCUIT DIAGRAM
DIAGRAM SHOWN WITH KEY INSERTED**

NOTES

- 1 - THE TWO COVER SCREWS ARE COMBINATION DRIVE, THE FOUR HEAD SCREWS ARE T-15 TAMPER PROOF TORX DRIVE (DRIVER BIT IS PROVIDED)
- 10-PIN CONNECTOR, BRAD HARRISON PART NO. 47205-22 OR EQUIVALENT)

| | | | | | | | | | | | | | | |
|-----------|----|---------|-----------|-----------|-----------|-----|-----------|-------|-----|-----|-----------|-------|----|---------|
| ISSUE | 30 | RS | 07 JAN 09 | CHECK | 21 SEP 08 | DVM | 18 JAN 00 | CHECK | SAV | GRT | 18 JAN 00 | CHECK | 3D | PTC/CAD |
| | | | | | | | | | | | | | | |
| REVISIONS | A | 206394 | SM | 05 FEB 00 | | | | | | | | | | |
| | B | 206443 | JLH | 13 SEP 02 | | | | | | | | | | |
| | C | 206976 | JLH | 20 SEP 02 | | | | | | | | | | |
| | D | 207003 | SM | 05 JAN 03 | | | | | | | | | | |
| | E | 207211 | SM | 15 JAN 03 | | | | | | | | | | |
| | F | 207576 | SM | 20 SEP 04 | | | | | | | | | | |
| | G | 0000385 | SM | 07 JAN 09 | | | | | | | | | | |
| | H | 0025008 | SM | 21 SEP 08 | | | | | | | | | | |
| | J | 0047425 | SM | 07 JAN 09 | | | | | | | | | | |

ANSI Y14.5M-1982 APPLIES

| | | | |
|--|---|---------------------------------------|-----------------|
| THIRD ANGLE PROJECTION | | | |
| | | | |
| SCALE | NONE | | |
| DO NOT SCALE PRINT | | | |
| TOLERANCES | | | |
| APPLY TO DESIGN UNITS. CONVERSIONS ARE ONLY FOR REFERENCE, UNLESS NOTED. TOLERANCES ARE: | | | |
| | FR. | TOL. | FR. |
| | mm | mm/10 | in |
| NO PLACES | ± | 1/.04 | ±1 0.01/0.1 |
| ONE PLACE | ±.1 | 0.07/0.16 | ±.01 0.30/0.65 |
| TWO PLACES | ±.01 | 0.157/0.06 | ±.001 0.13/0.05 |
| THREE PLACES | | | |
| ANGLES | | | |
| DESIGN UNITS | <input checked="" type="checkbox"/> SI METRIC | <input type="checkbox"/> US CUSTOMARY | |
| WEIGHT | 0,4 KG / 1LB | | |