

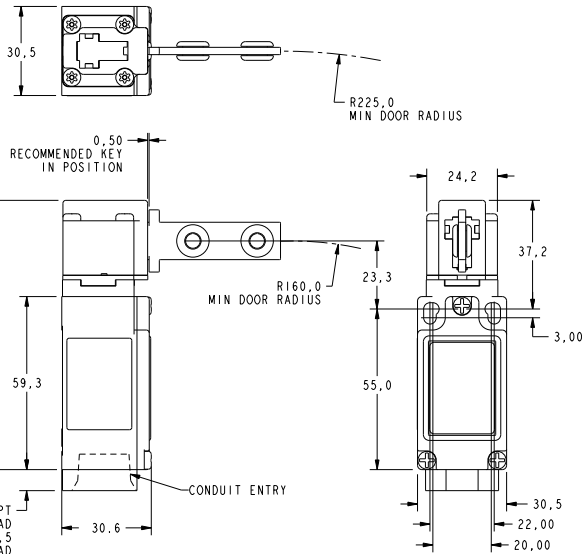
GKE

CONDUIT CODE	BASIC SWITCH CODE		HEAD ORIENTATION CODE
CODE	CODE		CODE
A	1/2 NPT	01	L
C	20 MM	03	M
		06	N
			P

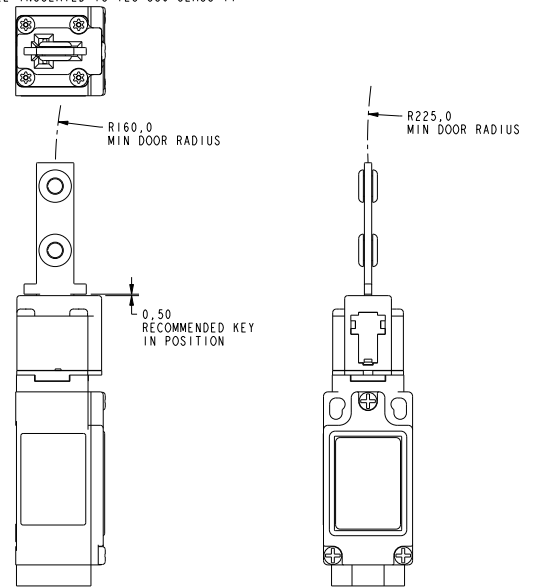
NOTES

- 1 - THERMOPLASTIC BODY AND HEAD
 - 2 - MINIMUM OPERATING VELOCITY (Vmin) = 2 mm/S
MAXIMUM OPERATING VELOCITY (Vmax) = 200 mm/S
MAXIMUM OPERATING FREQUENCY (F max) = 100 OPS/MIN
 - 3 - INSERTION FORCE = 7N NOM
EXTRACTION FORCE = 15N NOM
DISCONNECT FORCE = 25N MAX
 - 4 - SNAP ACTION N.C. CONTACTS: POSITIVE OPENING
SLOW MAKE AND BREAK N.C. CONTACTS: DIRECT ACTING
 - 5 - WHEN KEY IS INSERTED: N.C. TERMINALS ARE 11/12 AND/OR 21/22
N.O. TERMINALS ARE 13/14
- SEE BASIC SWITCH COLUMN FOR VOLTAGE RATING
 T-15 TAMPER PROOF TORX DRIVER BIT GkzT15BIT MAY BE PURCHASED SEPARATELY FOR USE IN REORIENTING OPERATING HEAD, SEE INSTALLATION INSTRUCTIONS
 SWITCH MUST OPERATE BEFORE REACHING MINIMUM INSERTION DISTANCE
 KEY ACTUATOR NOT SUPPLIED WITH PRODUCT, ACTUATOR MUST BE PURCHASED SEPARATELY
 RECOMMENDED TIGHTENING TORQUE FOR MOUNTING SCREW : 1 - 1.4 Nm
 ENCLOSURE DOUBLE INSULATED TO IEC 536 CLASS II

REV	DOCUMENT	CHANGED BY	CHECK
C	0047160	SSK	24DEC08 RS



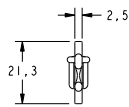
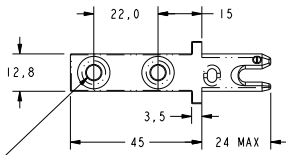
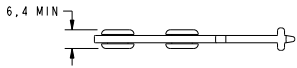
FRONT ENTRY



TOP ENTRY

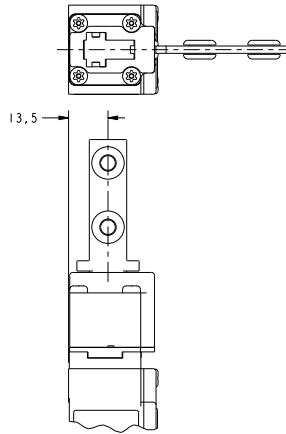
ELECTRICAL RATING				ENVIRONMENTAL		APPROVALS
AC		DC		IP 66 NEMA 1, 12 & 13		IEC 60947-5-1
A500/A600 Ue	AC15 Ie	Q300 Ue	DC13 Ie			
(VOLTS)	(AMPS)	(VOLTS)	(AMPS)	TEMP RANGE: -25°C TO 85°C		
120	6	24	2.8	STORAGE: -40°C TO 85°C		
240	3	125	5.5	SHOCK: 50G PER IEC 68-2-27		
380	1.9	250	2.7	VIBRATION: 10G PER IEC 68-2-6		
480	1.5					
500	1.4					
600	1.2					
ITH = 10A						

DESIGN UNITS: MM	DRAWN	MAM	23JUN05	Honeywell		
TOLERANCES UNLESS NOTED:	CHECK	-	-	TITLE		
NO PLACES X ± 1,000	THIS DRAWING COVERS A PROPRIETARY ITEM AND IS THE PROPERTY OF HONEYWELL. THIS DRAWING IS NOT TO BE COPIED OR USED WITHOUT THE PERMISSION OF HONEYWELL.			SWITCH, KEY INTERLOCK		
ONE PLACE .X ± 0.4	INTERPRET PER ASME Y14.5M-1994 OTHER HONEYWELL ENGINEERING STANDARDS MAY APPLY			SIZE	TYPE	DRAWING NAME
TWO PLACE .XX ± 0.15	Pr o/ENGINEER			C	I	GKE SERIES CHART 1
THREE PLACE .XXX ± 0.005	3D SCALE			1 : 1		
ANGLES X ± 3'	SHEET			1	OF	3

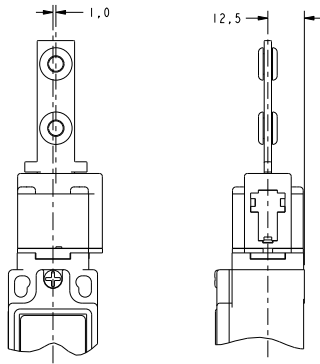
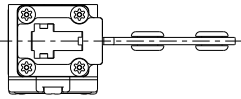


2X HOLES FOR M4 OR #8 SCREWS

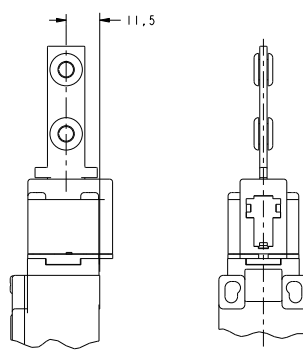
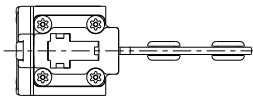
ACTUATOR GKZ51M
STRAIGHT KEY
(STAINLESS STEEL)



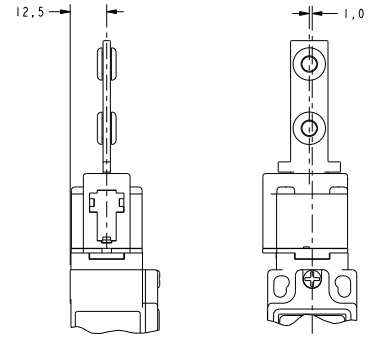
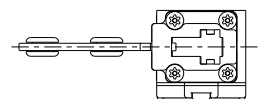
HEAD ORIENTATION CODE L



HEAD ORIENTATION CODE M

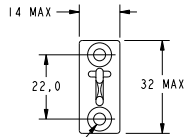
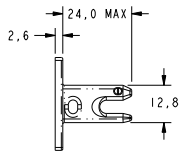
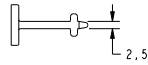


HEAD ORIENTATION CODE N



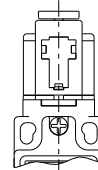
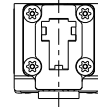
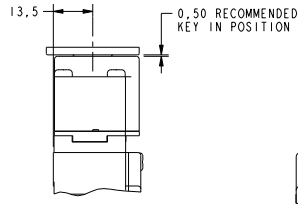
HEAD ORIENTATION CODE P

THIS DRAWING COVERS A PROPRIETARY ITEM AND IS THE PROPERTY OF HONEYWELL. THIS DRAWING IS NOT TO BE COPIED OR USED WITHOUT THE PERMISSION OF HONEYWELL.				Honeywell	
SIZE	DWG TYPE	DRAWING NAME	REV		
C	I	GKE SERIES CHART 1	C		
SCALE 1:1			SHEET 2 OF 3		

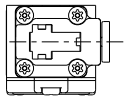


2X HOLES FOR M4 OR #8
COUNTERSUNK SCREW
WITH 45° COUNTERSINK
X ∇ 2,1

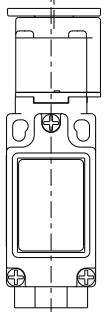
ACTUATOR GKZ52M 
90° KEY
(STAINLESS STEEL)



HEAD ORIENTATION CODE L

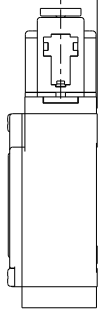


1,0

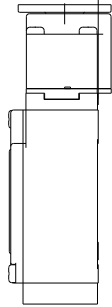


HEAD ORIENTATION CODE M

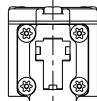
12,5



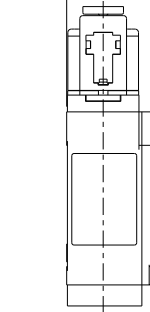
11,5



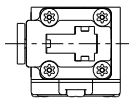
HEAD ORIENTATION CODE N



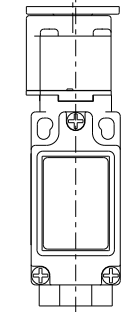
12,5



HEAD ORIENTATION CODE P



1,0



THIS DRAWING COVERS A PROPRIETARY
ITEM AND IS THE PROPERTY OF
HONEYWELL. THIS DRAWING IS
NOT TO BE COPIED OR USED WITHOUT
THE PERMISSION OF HONEYWELL.

Honeywell

SIZE	DWG TYPE	DRAWING NAME	REV
C	I	GKE SERIES CHART 1	C
SCALE	1 : 1		SHEET 3 OF 3