

**MICRO SWITCH**  
a Honeywell Division

SWITCH — BASIC

CATALOG LISTING  
1DM3

FED. MFG. CODE 91929

REPLACES

RELEASE NO. SR-10017

ISSUE  
9

CHECK

REVISIONS

A 09-28

14-328

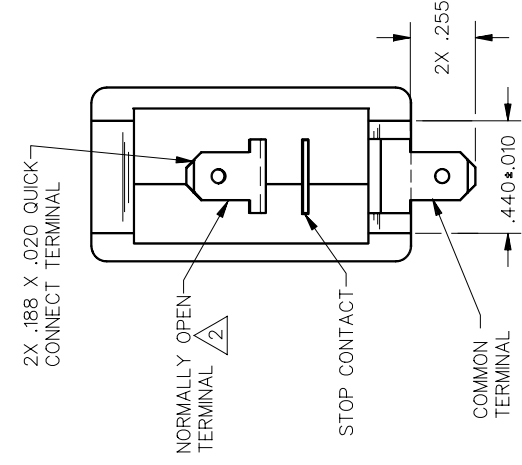
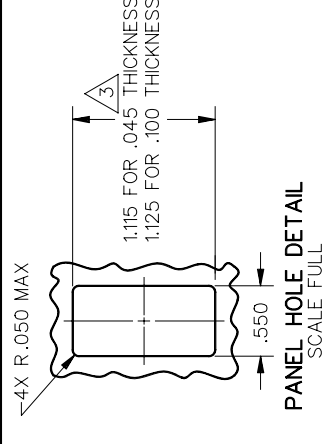
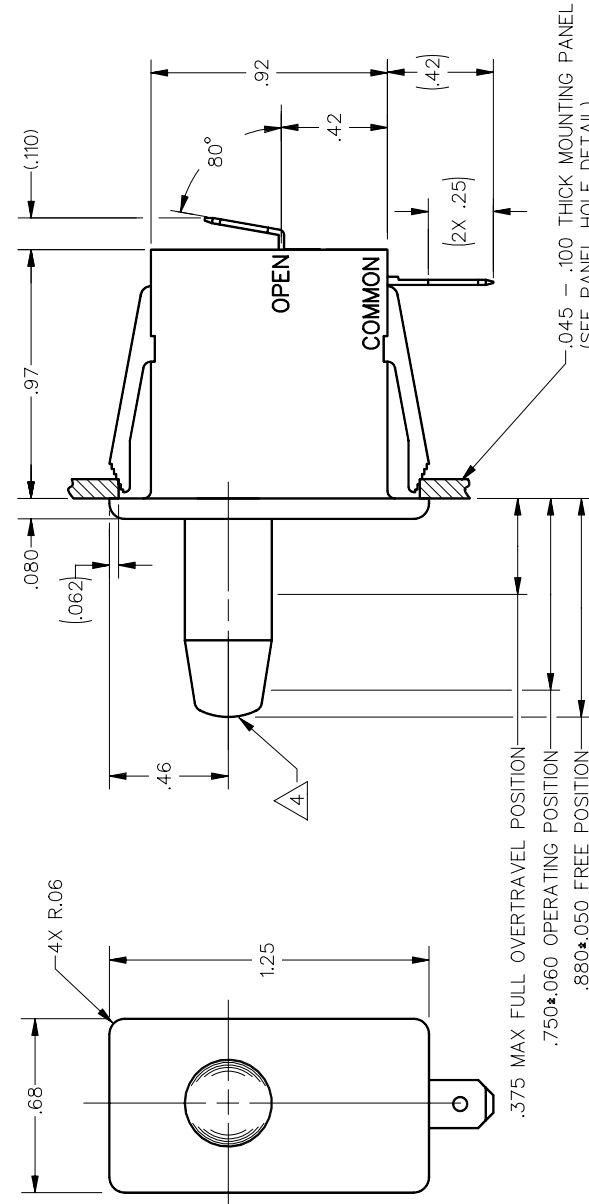
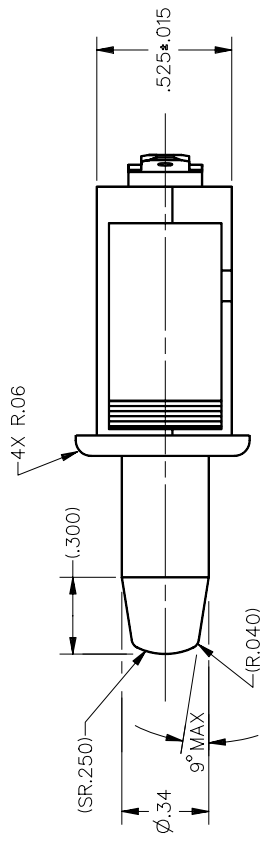
13-JUL-92

CHECK

CHECK

13 JUL 92

DRAWN  
DMD/CAD



CHARACTERISTICS		ELECTRICAL DATA	
OPERATING FORCE	15 OZ MAX	CONTACT ARRANGEMENT	
RELEASE FORCE	3 OZ MIN	S P N O	
DIFFERENTIAL TRAVEL	.045 APPROX	L181	10A 1/2HP 125, 250 OR 277 VAC
OVERTRAVEL	.375 MIN		
PLUNGER FORCE AT .375 OVERTRAVEL	21 OZ MAX		

THIS DRAWING COVERS A PROPRIETARY ITEM AND IS THE PROPERTY OF MICRO SWITCH. A DIVISION OF HONEYWELL. THIS DRAWING IS NOT TO BE COPIED OR USED WITHOUT THE APPROVAL OF MICRO SWITCH

THIRD ANGLE PROJECTION

SCALE 2 TO 1

DO NOT SCALE PRINT

UNLESS OTHERWISE SPECIFIED TOLERANCES ARE

ONE PLACE (.0) ± .030

TWO PLACE (.00) ± .015

THREE PLACE (.000) ± .005

ANGLES ± 5°

WEIGHT

NOTES

- 1 - WHITE PLASTIC CASE AND PLUNGER
- 2 - FLAG STYLE QUICK CONNECT RECEPTACLE REQUIRED FOR NORMALLY OPEN TERMINAL IF SWITCH IS WIRED BEFORE MOUNTING
- 3 - NOMINAL CUTOUT DIMENSION FOR PANELS BETWEEN .045 AND .100 SHOULD BE INTERPOLATED BETWEEN 1.115 AND 1.125
- 4 - PUSH TO OPERATE - MOMENTARY

ANSI Y14.5M-1982 APPLIES