

M 924CE16-S3

X2

ISSUE

18 AUG 91

18 AUG 91

18 AUG 91

18 AUG 91

18 AUG 91

18 AUG 91

18 AUG 91

18 AUG 91

18 AUG 91

18 AUG 91

18 AUG 91

18 AUG 91

18 AUG 91

18 AUG 91

18 AUG 91

18 AUG 91

18 AUG 91

18 AUG 91

18 AUG 91

18 AUG 91

18 AUG 91

18 AUG 91

18 AUG 91

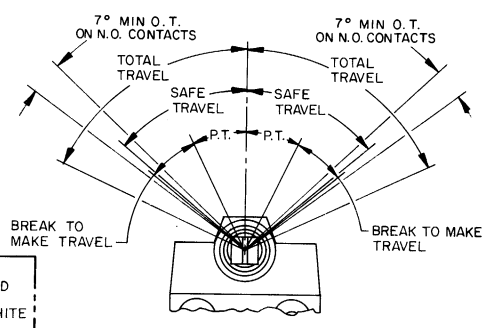
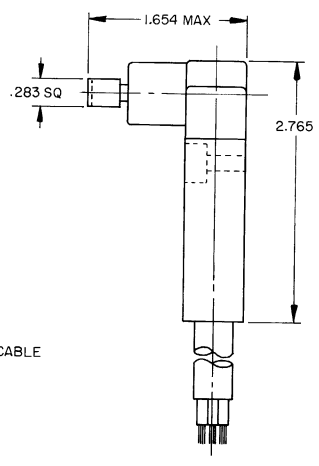
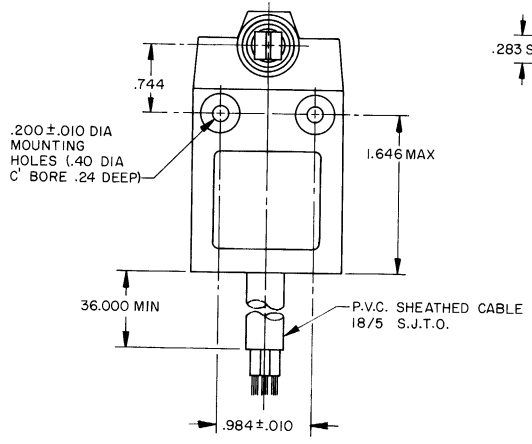
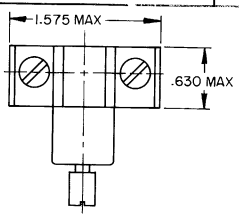
18 AUG 91

MICRO SWITCH
MELROSE, ILLINOIS, U.S.A.
A DIVISION OF HONEYWELL
FED. MFG. CODE 9192X

**SMALL PRECISION
LIMIT SWITCH**

CATALOG LISTING
924CE16-S3

- NOTES**
1 - ZINC HOUSING FINISHED WITH GRAY PAINT
2 - SWITCH WILL ACTUATE IN BOTH DIRECTIONS
3 - SWITCH PROVIDES BREAK BEFORE MAKE CIRCUITRY



THIS DRAWING COVERS A PROPRIETARY ITEM AND IS THE PROPERTY OF MICRO SWITCH, A DIVISION OF HONEYWELL. THIS DRAWING IS NOT TO BE COPIED OR USED WITHOUT THE APPROVAL OF MICRO SWITCH.

CHARACTERISTICS	ELECTRICAL DATA
OPERATING FORCE ----- 2.62 IN. LB MAX	CONTACT ARRANGEMENT S P D T D B
BREAK TO MAKE TRAVEL ----- 25° ± 7°	10A - 250 VAC
PRETRAVEL ----- 26° MAX	1/3 HP 125 OR 250 VAC
TOTAL TRAVEL ----- 65° MIN	
SAFE TRAVEL ----- 50° MIN	

SCALE: FULL
DO NOT SCALE PRINT

TOLERANCES
UNLESS OTHERWISE SPECIFIED:
FRACTIONS DECIMALS ANGLES
FRACTIONS DECIMALS ANGLES
FRACTIONS DECIMALS ANGLES

DESIGN UNITS: 1/32 IN. 1/16 IN. 1/8 IN. 1/4 IN. 1/2 IN. 1 IN.

THIRD ANGLE PROJECTION

WEIGHT

1 BLACK	2 RED
3 WHITE	4 WHITE
GREEN	

CIRCUIT DIAGRAM