

FEATURES

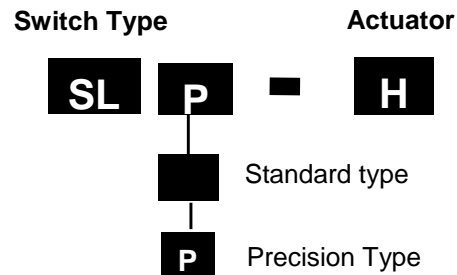
- Asia standard dimension
- Design for small mounting space.
- 10A current capacity
- Long mechanical life 1x10⁷ operations
- Wide range of actuators available
- UL, cUL, CCC, CE approved
- IP65 (standard type) and IP67 (precision type) Rated
- Precision type SLP has built-in IP67 rated cable gland (also available in M12 quick connector type)



Applications:

- General Machinery
- Conveyer, Transportation Equipments
- Specialty Machinery
- Packaging Machinery


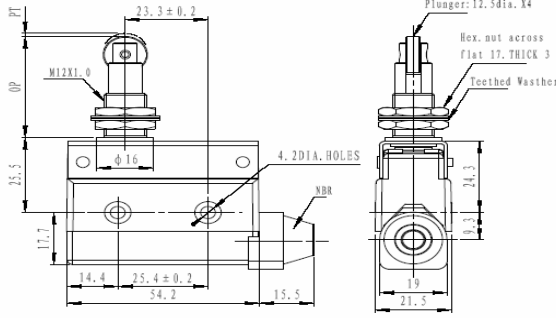

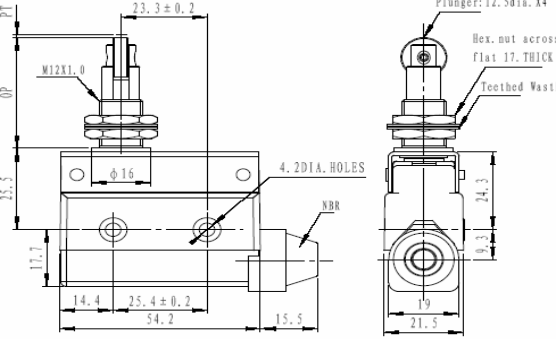

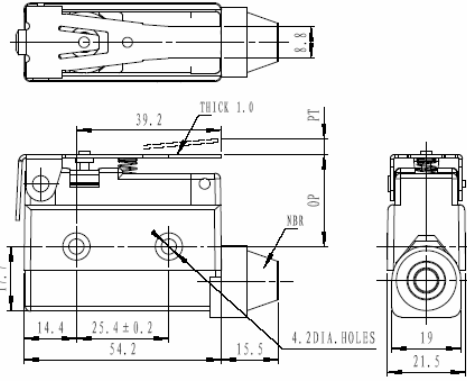

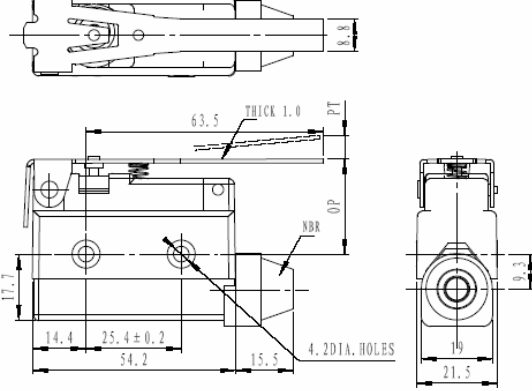
Selection guide


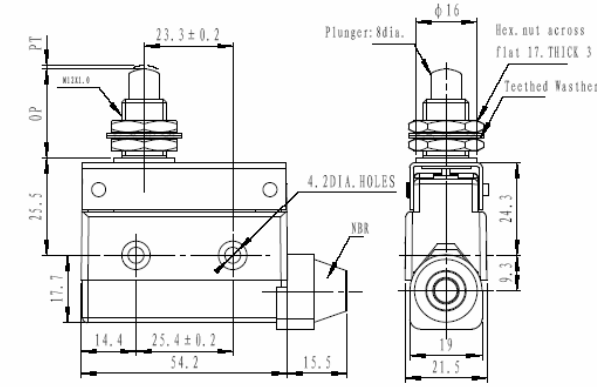

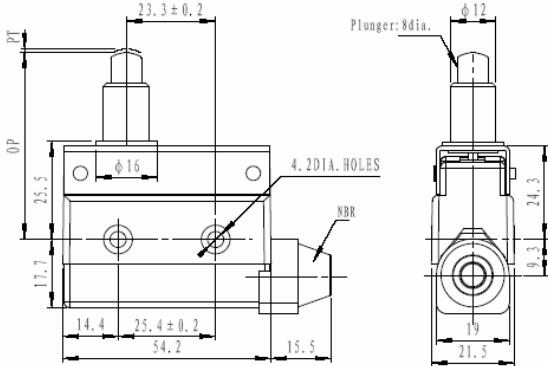

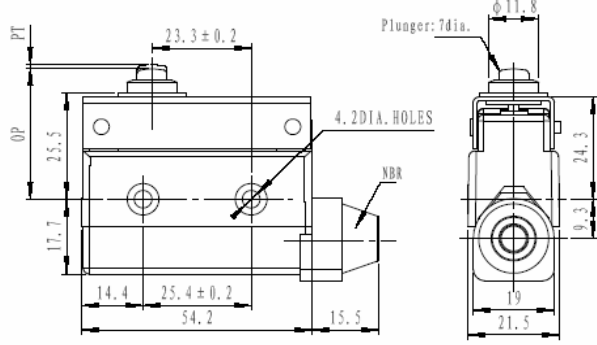

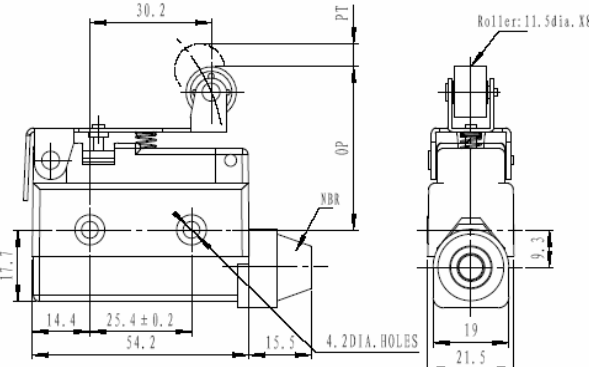



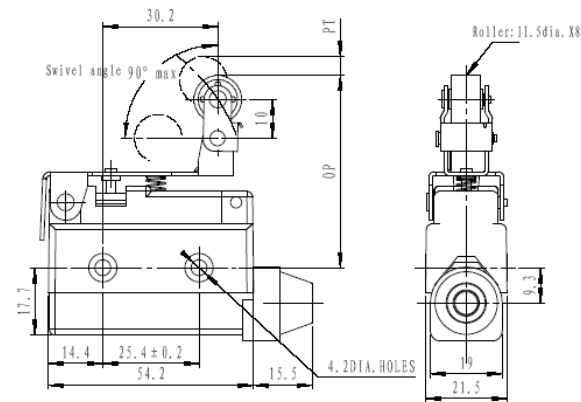

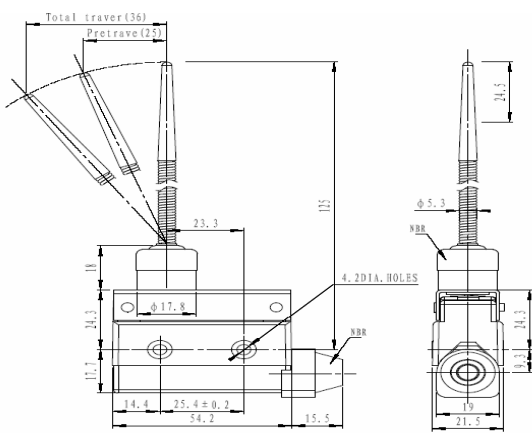

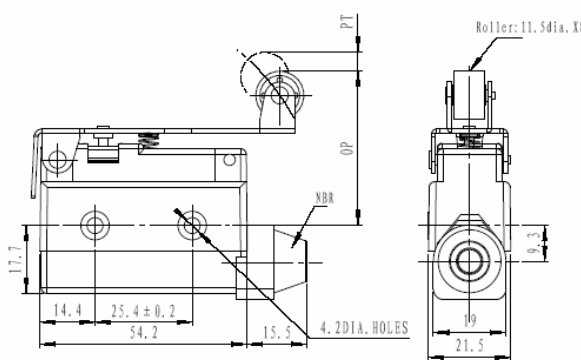

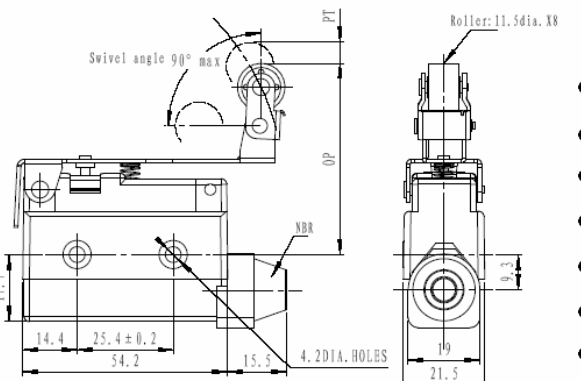
Characteristics

	SL (standard type)	SLP (precision type)
Contact Type, Contact Material	SPDT, Silver Alloy	SPDT, Silver Alloy (Gold plated contact available)
Actuator	See Selection guide	
Operating Speed	0.05mm ~ 2m/s	0.05mm ~ 0.5m/s
Operating Frequency	Mechanically: 120 ops/min, Electrically: 30 ops/min	
Rated Current/Voltage	10A/250VAC (EN60947-5-1)	Silver: 5A/250VAC or 5A/30VDC Gold plated: 0.1A/250VAC or 0.1A/30VDC
Contact Resistance	<25mΩ (initial)	
Insulation Resistance	>100MΩ@500V DC	
Dielectric Strength	1000VAC for 1 min between current carrying parts 2500VAC for 1 min between non-current carrying part	
Service Life	Mechanically: 5,000,000 ops Electrically: 500,000 ops at maximum rating	Mechanically: 5,000,000 ops Electrically: 500,000 ops at maximum rating
Shock	Free position:<10G, Maximum position: <30G	
Vibration	10 to 55 Hz, 1.5 mm double amplitude (excluding spring coil type)	
Operating Temperature	-20 to 60°C	-30 to 80°C
Certification	CE, CCC, UL (E313809)	CE, CCC
Degree of Protection	IP64	IP67

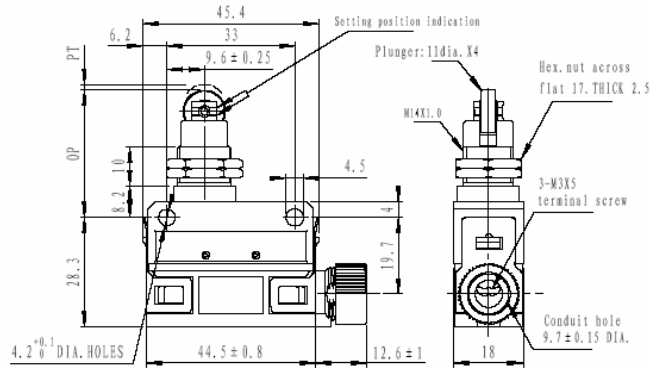
Dimensions and Operating Characteristics

<p><SL-A></p> 	 <p>动作特性</p> <ul style="list-style-type: none"> ● OFmax 5.88N ● RFmin 0.98N ● PTmax 2.0mm ● OTmin 6.0mm ● MDmax 0.8mm ● FPmax 35.3mm ● OP 33.3 ± 1.2mm
<p><SL-A1></p> 	 <p>动作特性</p> <ul style="list-style-type: none"> ● OFmax 5.88N ● RFmin 0.98N ● PTmax 2.0mm ● OTmin 6.0mm ● MDmax 0.8mm ● FPmax 35.3mm ● OP 33.3 ± 1.2mm
<p><SL-B></p> 	 <p>动作特性</p> <ul style="list-style-type: none"> ● OFmax 2.16N ● RFmin 0.59N ● PTmax 8.5mm ● OTmin 2.5mm ● MDmax 2.0mm ● FPmax 33.5mm ● OP 25 ± 1.3mm
<p><SL-B1></p> 	 <p>动作特性</p> <ul style="list-style-type: none"> ● OFmax 1.47N ● RFmin 0.39N ● PTmax 13.5mm ● OTmin 4.0mm ● MDmax 3.2mm ● FPmax 38.5mm ● OP 25 ± 2.0mm

<p><SL-H></p> 	 <p>Plunger: 8dia. Hex. nut across flat 17. THICK 3 Teether Washer</p> <p>动作特性</p> <ul style="list-style-type: none"> ● OFmax 5.88N ● RFmin 0.98N ● PTmax 2.0mm ● OTmin 6.0mm ● MDmax 0.8mm ● FPmax 23.8mm ● OP 21.8 ± 0.8mm
<p><SL-H1></p> 	 <p>Plunger: 8dia. $\phi 12$</p> <p>动作特性</p> <ul style="list-style-type: none"> ● OFmax 5.88N ● RFmin 0.98N ● PTmax 2.0mm ● OTmin 5.0mm ● MDmax 0.8mm ● FPmax 46mm ● OP 44 ± 1.2mm
<p><SL-H2></p> 	 <p>Plunger: 7dia. $\phi 11.8$</p> <p>动作特性</p> <ul style="list-style-type: none"> ● OFmax 5.88N ● RFmin 0.98N ● PTmax 2.0mm ● OTmin 0.8mm ● MDmax 0.8mm ● OP 30 ± 0.8mm
<p><SL-E></p> 	 <p>Roller: 11.5dia. X8</p> <p>动作特性</p> <ul style="list-style-type: none"> ● OFmax 2.35N ● RFmin 0.87N ● PTmax 6.5mm ● OTmin 2.0mm ● MDmax 1.5mm ● FPmax 46.5mm ● OP 40 ± 1.6mm

<p><SL-E1></p> 	 <p>动作特性</p> <ul style="list-style-type: none"> ● OFmax 2.75N ● RFmin 0.98N ● PTmax 6.5mm ● OTmin 2.0mm ● MDmax 1.5mm ● FPmax 56.5mm ● OP 50 ± 1.6mm
<p><SL-F></p> 	 <p>动作特性</p> <ul style="list-style-type: none"> ● OFmax 1.18N ● PTmax 25mm ● OTmin 11mm ● TTmax 36mm
<p><SL-P></p> 	 <p>动作特性</p> <ul style="list-style-type: none"> ● OFmax 1.77N ● RFmin 0.49N ● PTmax 11.0mm ● OTmin 3.0mm ● MDmax 2.4mm ● FPmax 51.0mm ● OP 40 ± 1.9mm
<p><SL-P1></p> 	 <p>动作特性</p> <ul style="list-style-type: none"> ● OFmax 2.16N ● RFmin 0.59N ● PTmax 11.0mm ● OTmin 3.0mm ● MDmax 2.4mm ● FPmax 61.0mm ● OP 50 ± 2.0mm

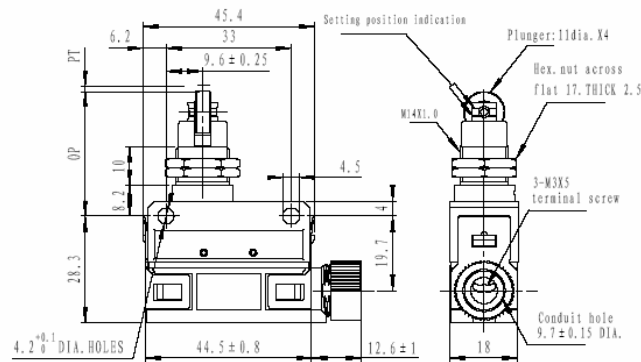
<SLP-A>



动作特性

● OFmax	11.8N
● RFmin	4.9N
● PTmax	1.5mm
● OTmin	3mm
● MDmax	0.1mm
● OP	31.4 ± 0.8mm

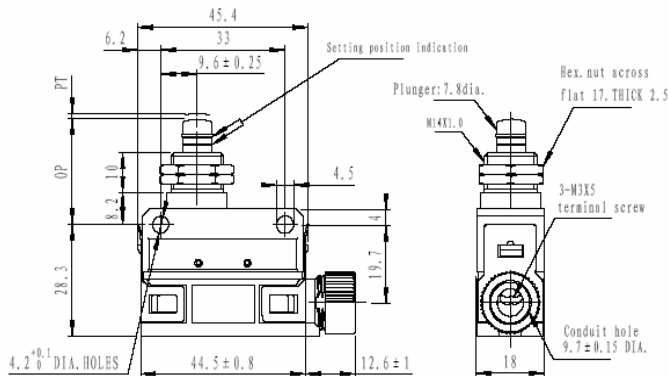
<SLP-A1>



动作特性

● OFmax	11.8N
● RFmin	4.9N
● PTmax	1.5mm
● OTmin	3mm
● MDmax	0.1mm
● OP	31.4 ± 0.8mm

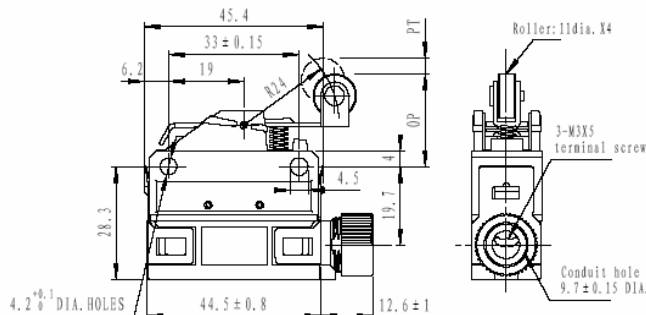
<SLP-H>



动作特性

● OFmax	11.8N
● RFmin	4.9N
● PTmax	1.5mm
● OTmin	3mm
● MDmax	0.1mm
● OP	25.4 ± 0.8mm

<SLP-E>



动作特性

● OFmax	4.0N
● RFmin	0.78N
● PTmax	2mm
● OTmin	4mm
● MDmax	0.3mm
● OP	23.1 ± 0.8mm