

IP 67 compact limit switches : series 83 870

Conform to the following standards

IEC / EN 60947.5.1
 Dimensional conformity : NFC 63145
 Low voltage directive : 73/23/EEC and 93/68/EEC
 Electric shock protection : NFC 20030 or IEC 60536 class 1, degree of pollution 3.

Degree of protection

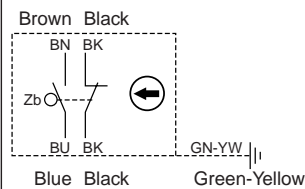
According to IEC 62529 : IP 66 / 67
 According to NEMA 250 : Type 1, 3, 4, 6, 13

Function

Four-terminal double break contact element (form Zb) with positive opening NC contacts. The two moving contacts are electrically isolated from one another

Principle

Independent snap-action contact



Electrical characteristics

Assigned impulse voltage (Uimp) : 2500 V
 Assigned insulation voltage (Ui) : 500 V
 Thermal rating (Ith) : 10 A
 Low-load switching : minimum voltage 10 V
 minimum current 100 mA

Use category:
 according to IEC 947.5.1 AC15 = 250 V / 6 A
 DC 13 = 24 V / 8 A
 according to UL 508 A300 - Q150

Electrical protection

Integral earth wire
 Short-circuit protection device : IEC 947.5.1
 Fuse 6 AgC

Connections

5-core cable HO5VF, 75 mm², ext. Ø 8 mm

Approvals

UL 508, UL 50

Types

Standard
 Plunger or roller at 90°

Part numbers of standard products (cable length 1 m) *

Control mechanisms

Metal plunger
 Metal roller plunger
 Metal plunger with threaded barrel
 Roller plunger - metal with threaded barrel
 Metal roller lever (2 directions of attack)

Mechanical characteristics

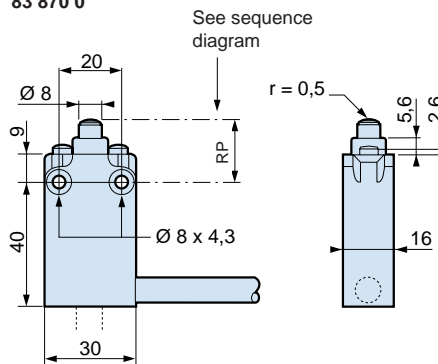
Minimum operating force	N (cmN)
Minimum total travel force	N (cmN)
Minimum positive opening force	
Mechanical life	millions of operations
Weight	g

Sequences

Positions : nominal data

Dimensions

83 870 0



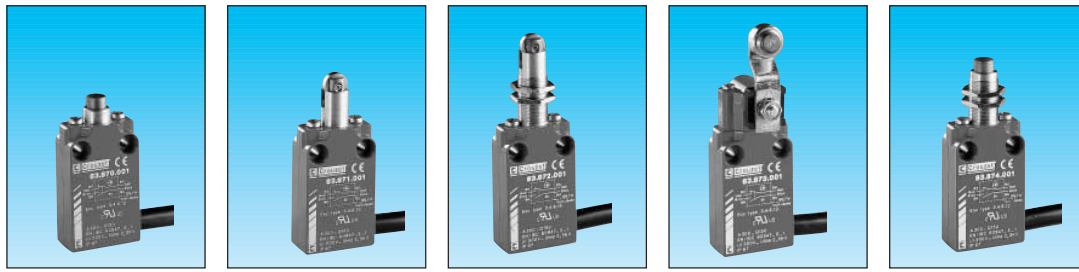
(*) Other cable lengths :

change the last digit of the standard part number

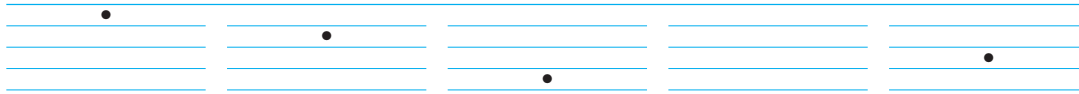
- 2 : 2 m length
- 3 : 3 m length
- 6 : 6 m length

Other information

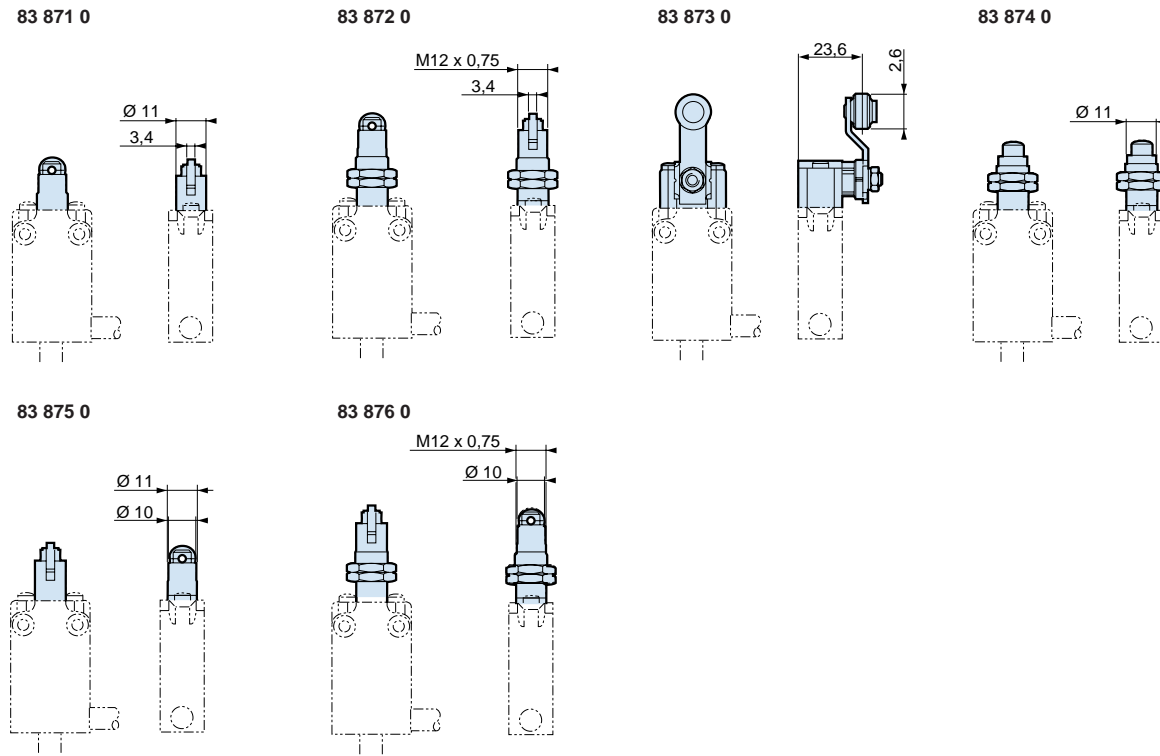
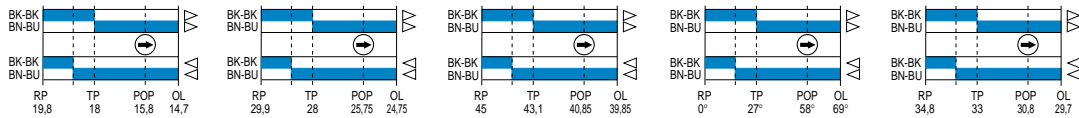
For other accessories and special contacts, or special modes of operation : please consult us.



83 870 0	83 871 0 83 875 0	83 872 0 83 876 0	83 873 0	83 874 0
83 870 001	83 871 001	83 872 001	83 873 001	83 874 001



10	10	10	(15)	10
30	30	30	(35)	30
28	28	28	15	28
10	10	10	10	10
290	295	315	290	310



To order, specify :	
Standard products	2 Part number Example : Limit switch 83 871 001
Standard products, non stocked	1 Type Examples : Limit switch 83 871 003 ; cable length = 3 m - Limit switch 83 871 006 ; cable length = 6 m