



**Bernstein**

Bernstein AG  
Postfach 1164  
D-32437 Porta Westfalica

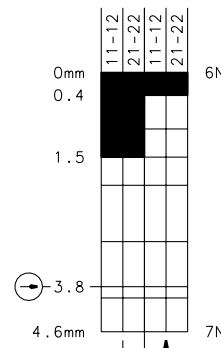
# Technical data sheet

Ti2-SA2Z Hw Ro13.5

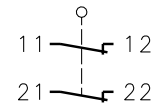
608.8871.018



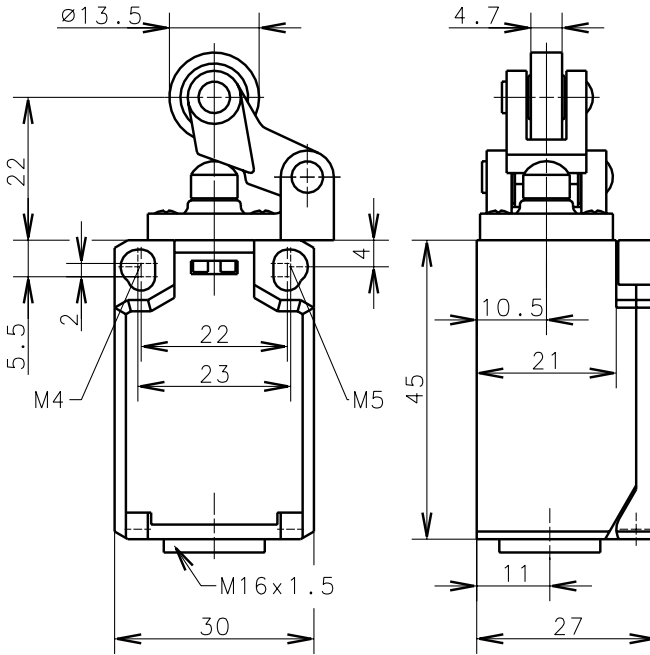
Positive opening operation according to DIN EN 60947-5-1 IEC 60947-5-1



Switching diagram



Switching symbol



Tolerance: operating point  $\pm 0.25\text{mm}$ ; actuating force  $\pm 10\%$

Schutzvermerk nach DIN 34 beachten  
Copyright reserved

09.04.03

## Mechanical features

Enclosure: PBT, glass fibre reinforced  
 Cover: PA6.6, black  
 Actuator: Lever with roller (thermoplast)

Ambient air temperature:  $-30^{\circ}\text{C}$  up to  $+80^{\circ}\text{C}$   
 Contact type: 2 NC-contacts (Zb)

Mechanical life:  $3 \times 10^6$  switch operations  
 Switch frequency: max. 100/min  
 Mounting: 2xM4 or 2xM5 fixed positioning for safety applications  
 Connection type: 4 screw connections (M3.5)  
 Conductor cross-section: single core  $0.5\text{-}1.5\text{mm}^2$  / litz wire with connector sleeve  $0.5\text{-}1.5\text{mm}^2$   
 Cable entry size: 1 x M16x1.5  
 Weight: approx. 0,04kg

## Electrical features

Rated insulation voltage:  $U_i = 250\text{ V AC}$   
 Conventional thermal current:  $I_{the} = 10\text{ A}$   
 Max. inrush current: according to IEC 60947-5-1  
 Utilization categorie: AC 15, A300 240V/3A, 120V/6A / DC 13, Q300 250V/0.27A, 125V/0.55A  
 Standards: according to EN 60947-1; EN 60947-5-1  
 Protection class (IP-Code): IP65 according to EN 60529; DIN VDE 0470 T1  
 CSA/UL: 10A 300V, A300  
 Short circuit protection: Fuse 6A gL/gG, IEC/EN 60947-5-1, appendix K

## Approach possibilities

By loosening the 4 screws the Actuation Assembly can be rotated in 90 degree increments such that 4 Actuation directions are possible. The Actuation Assembly is to be again fastened to the housing using the 4 screws.

## Remarks

The moving parts should be oiled periodically.  
 The rated protection class (IP-Code) is valid only at closed cover and when using an at least equivalent cable gland.

Copies are not retreated in case of alternations