



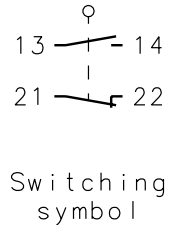
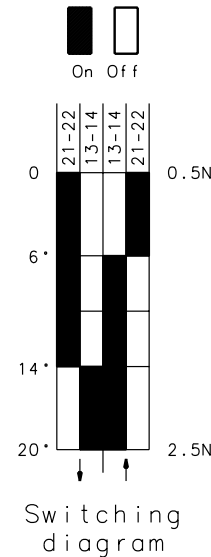
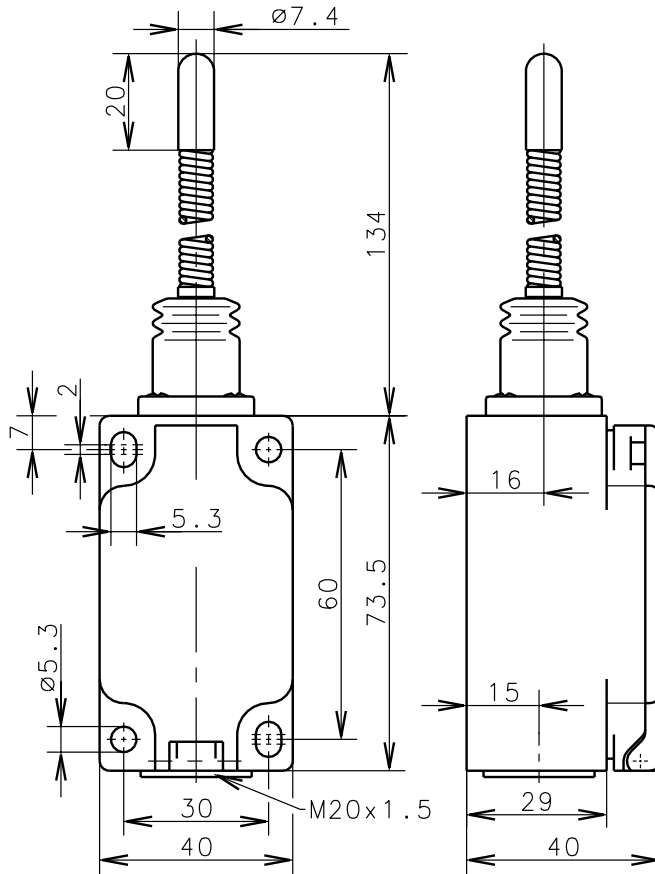
Bernstein

Bernstein AG
Postfach 1164
D-32437 Porta Westfalica

Technical data sheet

ENK-SU1 FF

608.1190.045



Tolerance: operating point $\pm 3.5^\circ$; actuating force $\pm 10\%$

Schutzvermerk nach DIN 34 beachten
Copyright reserved

Mechanical features

Enclosure: Thermoplast, glass fibre reinforced
 Cover: Thermoplast, glass fibre reinforced
 Actuator: Wobble stick with plastic slide

Ambient air temperature: -30°C up to $+80^\circ\text{C}$
 Contact type: 1 NC-contact, 1 NO-contact

Mechanical life: 10×10^6 switch operations
 Switch frequency: max. 100/min
 Mounting: 4 x M5
 Connection type: 4 screw connectors (M3,5)
 Cable entry size: 1 x M20x1.5
 Weight: approx. 0,15 kg

Electrical features

Max. Voltage: 500 V AC
 Max. enduring current: 1 th 10A
 Max. inrush current: according to IEC 947-5-1, AC 15, DC 13
 Standards: according to EN 60204; EN 60947-1; EN 60947-5-1
 Protection class (IP-Code): IP65 according to EN 60529; DIN VDE 0470 T1
 CSA: 10A 300V AC, A300 (same polarity)
 Short-circuit protection: Fuse 2A gL/gG, IEC/EN 60947-5-1

Approach possibilities

May be actuated from all directions.

Remarks

The moving parts should be oiled periodically
 The planned protection class (IP-Code) is valid only at closed cover
 and when using an at least equivalent cable gland.

11.01.2001