

Plastic-bodied limit switches

ENK

Euronorm standard switch according to
DIN EN 50041
Protection class IP 65
Hinged snap lid



- Standard actuators to DIN EN 50041 form A, B, C, D, F, G
- Large range of actuators
- 4 x 90° actuator positions
- Snap action or slow make & break contacts
- Galvanically separated contacts
- Forced disconnection of NC contacts
- Metal actuators for heavy duty applications
- Cable entry M 20 x 1.5
- Protection class IP 65
- Body and lid PA 6 which is self extinguishing (UL-94-V0)

Benefits

- Hinged snap lid for quick and easy access (screwdriver release)
- Lid hinges open to 150° (can also be simply detached)
- Internal cover protects the contacts during mounting
- Screw terminals with self lifting clamps for easy wiring
- Transparent cover for easy adjustment and inspection



Mounting

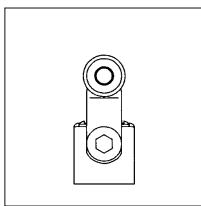
- Adjustable – two slots for M 5 screws
- Fixed - two holes for M 5 screws for safety applications

Options

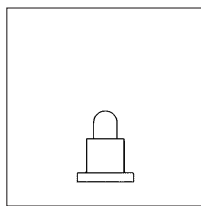
- Contact lock (safety pull button reset)
- Contact LED display (LED protected within terminal chamber)
- WK actuator (form F) can be supplied to order
- WR actuator (form G) can be supplied to order
- EEx certificated versions available acc. ATEX 100 a

Accessory equipment page 53

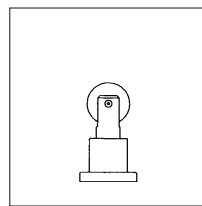
Standard actuators DIN EN 50041



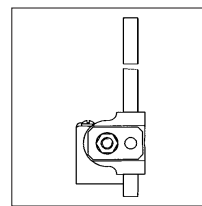
Type A



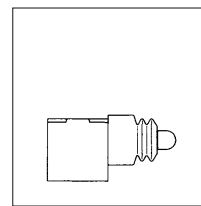
Type B



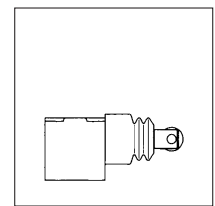
Type C



Type D



Type F
(Built to order)



Type G
(Built to order)

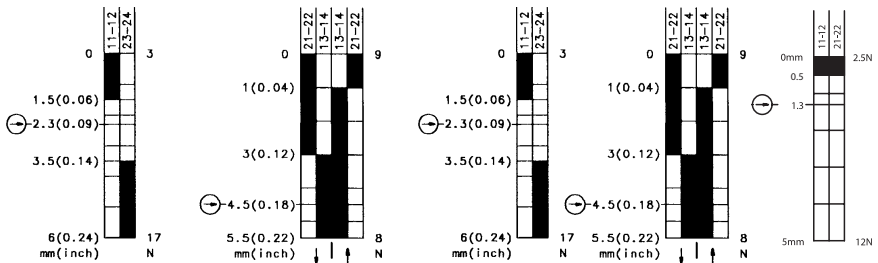
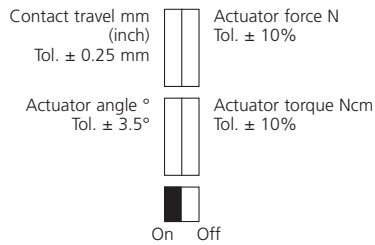
Contact configuration

Contact type	Switch function	Switch contacts	Reference	Max. Voltage	Max. constant current
Slow make & break	Changeover	1NC/1NO	U1/U1Z	500 V	10 A
Snap action	Changeover	1NC/1NO	SU1/SU1Z	500 V	10 A
Slow make & break	NC	2NC	A2Z	400 V	6 A
Slow make & break	NC	3NC	A3Z	400 V	6 A
Slow make & break	Changeover overlapping	1NC/1NO	UV1Z	500 V	10 A



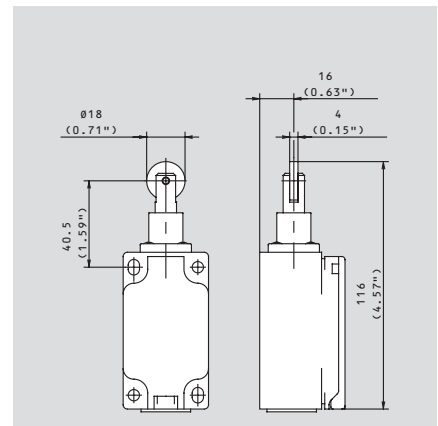
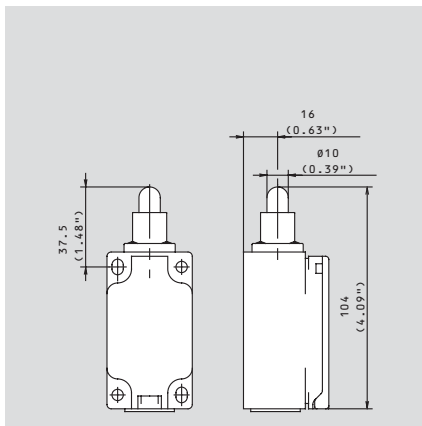
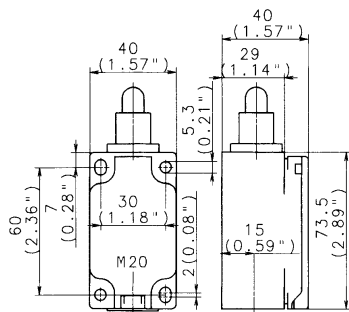
Designation
Part number
 Circuit diagram
 ⊕ Forced disconnect to IEC 947-5-1 chapter 3
 Za: not galvanically separated contacts
 Zb: galvanically separated contacts
Slow make & break/snap-action
 Internal seal (iw)/external seal (w)

ENK-U1Z iw	ENK-SU1Z iw	ENK-U1Z Riw	ENK-SU1Z Riw	ENK-A2Z Riw
608.1102.001	608.1152.007	608.1117.002	608.1167.008	608.1817.281
⊕ Zb	⊕ Zb	⊕ Zb	⊕ Zb	⊕ Zb
●/-	-/●	●/-	-/●	-/●
iw	iw	iw	iw	iw



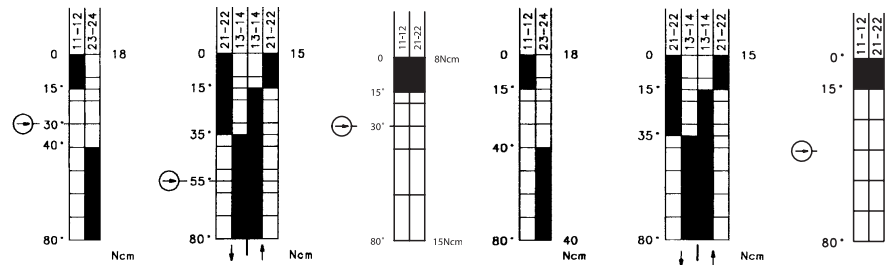
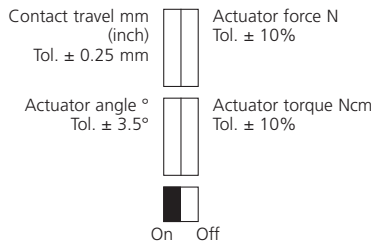
Voltage	max.	500 V AC	500 V AC	500 V AC	500 V AC	400 V AC
Permanent current	max.	10 A	10 A	10 A	10 A	5 A
In-rush current complies with standards IEC 947-5-1 AC 15/DC 13		●	●	●	●	●
Switching frequency	max.	100/min.	100/min.	100/min.	100/min.	100/min.
Mechanical life – number of switching actions		10 x 10 ⁶	10 x 10 ⁶	10 x 10 ⁶	10 x 10 ⁶	1 x 10 ⁶
Operating temperature	min./max.	-30 °C/+80 °C -22 °F/+176 °F	-30 °C/+80 °C -22 °F/+176 °F	-30 °C/+80 °C -22 °F/+176 °F	-30 °C/+80 °C -22 °F/+176 °F	-30 °C/+80 °C -22 °F/+176 °F
Standard actuator	form	B	B	C	C	C
Approvals		UL, CSA	UL, CSA	UL, CSA	UL, CSA	UL, CSA
Weight		0.15 kg/0.33 lb	0.15 kg/0.33 lb	0.16 kg/0.33 lb	0.16 kg/0.33 lb	0.16 kg/0.33 lb
Delivery: ex-stock/built to order		●/-	●/-	●/-	●/-	●/-

All dimensions in mm (inch)



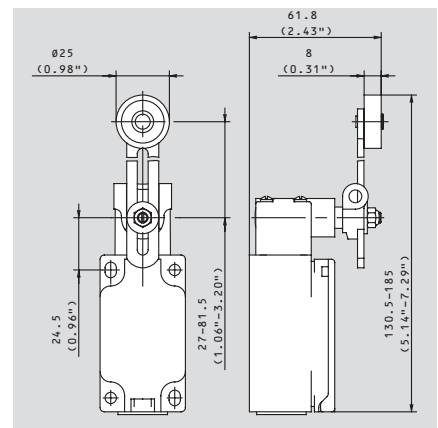
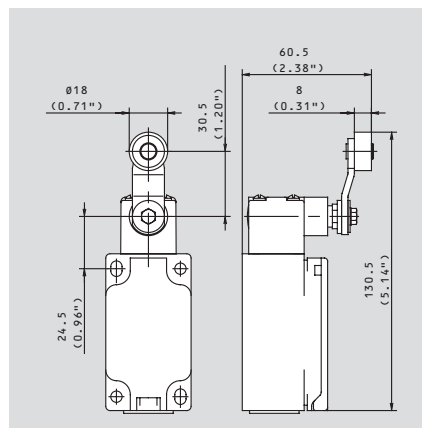
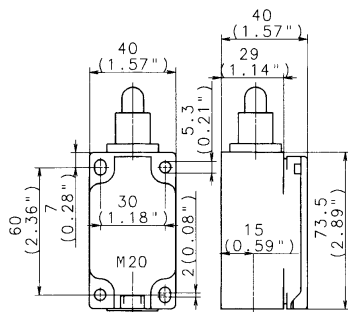


Designation	ENK-U1Z AHS-V	ENK-SU1Z AHS-V	ENK-A2Z AHS-V	ENK-U1 AV	ENK-SU1 AV	ENK-A2 AV
Part number	608.1135.003	608.1185.009	608.1835.323	608.1136.012	608.1186.018	608.1836.319
Circuit diagram						
⊕ Forced disconnect to IEC 947-5-1 chapter 3						
Za: not galvanically separated contacts						
Zb: galvanically separated contacts	⊕ Zb	⊕ Zb	⊕ Zb	Zb	Zb	Zb
Slow make & break/snap-action	●/-	-/●	-/●	●/-	-/●	●/-
Internal seal (iw)/external seal (w)	iw	iw	iw	iw	iw	iw



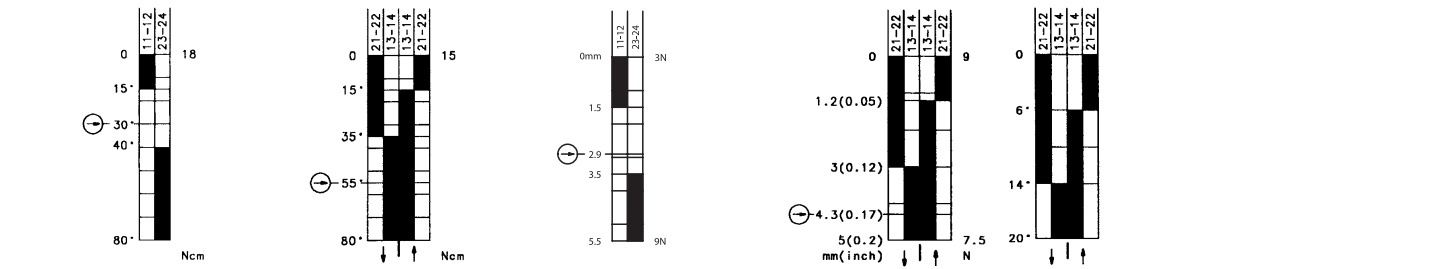
Voltage	max.	500 V AC	500 V AC	400 V AC	500 V AC	500 V AC	400 V AC
Permanent current	max.	10 A	10 A	5 A	10 A	10 A	5 A
In-rush current complies with standards IEC 947-5-1 AC 15/DC 13		●	●	●	●	●	●
Switching frequency	max.	100/min.	100/min.	100/min.	100/min.	100/min.	100/min.
Mechanical life – number of switching actions		10 x 10 ⁶	10 x 10 ⁶	1 x 10 ⁶	10 x 10 ⁶	10 x 10 ⁶	10 x 10 ⁶
Operating temperature	min./max.	-30 °C/+80 °C -22 °F/+176 °F	-30 °C/+80 °C -22 °F/+176 °F	-30 °C/+80 °C -22 °F/+176 °F	-30 °C/+80 °C -22 °F/+176 °F	-30 °C/+80 °C -22 °F/+176 °F	-30 °C/+80 °C -22 °F/+176 °F
Standard actuator	form	A	A	A	-	-	-
Approvals		UL, CSA	UL, CSA	UL, CSA	UL, CSA	UL, CSA	UL, CSA
Weight		0.23 kg/0.51 lb	0.23 kg/0.51 lb	0.23 kg/0.51 lb	0.24 kg/0.53 lb	0.24 kg/0.53 lb	0.24 kg/0.53 lb
Delivery: ex-stock/built to order		●/-	●/-	●/-	●/-	●/-	●/-

All dimensions in mm (inch)





ENK-U1Z AD 608.1137.011	ENK-SU1Z AD 608.1187.017	ENK-U1Z Hw 608.1121.095	ENK-SU1Z Hw 608.1171.096	ENK-SU1 FF 608.1190.045
⊕ Zb	⊕ Zb	⊕ Zb	⊖ Zb	Zb
●/-	-/●	-/●	-/●	-/●
iW	iW	iW	W	W



500 V AC	500 V AC	500 V AC	500 V AC	500 V AC
10 A	10 A	10 A	10 A	10 A
●	●	●	●	●
100/min.	100/min.	100/min.	100/min.	100/min.
10 x 10 ⁶	10 x 10 ⁶	10 x 10 ⁶	10 x 10 ⁶	10 x 10 ⁶
-30 °C/+80 °C	-30 °C/+80 °C	-30 °C/+80 °C	-30 °C/+80 °C	-30 °C/+80 °C
-22 °F/+176 °F	-22 °F/+176 °F	-22 °F/+176 °F	-22 °F/+176 °F	-22 °F/+176 °F
D	D	D	-	-
UL, CSA	UL, CSA	UL, CSA	UL, CSA	UL, CSA
0.23 kg/0.51 lb	0.23 kg/0.51 lb	0.16 kg/0.35 lb	0.16 kg/0.35 lb	0.15 kg/0.35 lb
●/-	●/-	●/-	●/-	●/-

