

# Technical data sheet

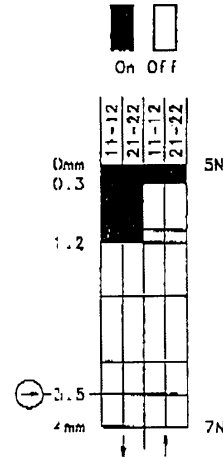
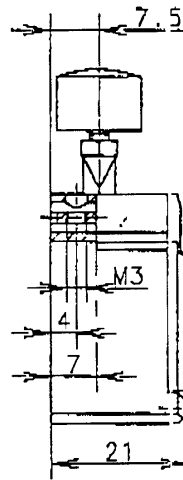
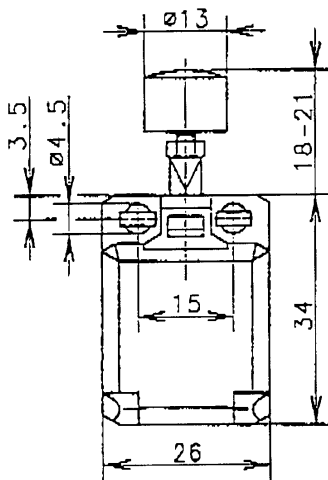
C2-SA2Z K

600.8857.022

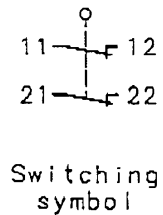
 Schutzvermerk nach DIN 34 beachten  
 Copyright reserved

03.08.98

Positive opening operation according to VDE 0660 T200 Chap. 3 IEC 947-5-1



Switching diagram



Switching symbol

Tolerance: operating point :0.25mm: actuating force :10%

### Mechanical features

Enclosure: PBT, glass fibre reinforced  
 Cover: PC, black  
 Actuator: Button (Thermoplast)

Ambient air temperature: -30°C up to +80°C  
 Contact type: 2 NC-contacts (Zb)

Mechanical life: 3x10<sup>6</sup> switch operations  
 Switch frequency: max. 100/min  
 Mounting: from the top 2xM4, from the front 2xM3  
 Connection type: 4 screw connections (M3.5)  
 Cable entry size: rectangle 8.5x3.5mm  
 Weight: approx. 0,02kg

### Electrical features

Max. voltage: 250 V AC  
 Max. enduring current: 1 th 10A  
 Max. inrush current: according to IEC 947-5-1, AC 15 240V 3A  
 Standards: according to DIN VDE 0660, IEC 947-5-1  
 Protection class: IP 30 according to IEC 529:1989; EN 60529; DIN VDE 0470 T1  
 Approvals: UL, CSA and BG (appl. for)  
 Short circuit protection: 6A slow-acting, 10A quick-acting

### Approach possibilities

The push bolt actuator is mainly intended to be actuated along it's axis. Side actuation will considerably reduce switch life.

### Remarks

The moving parts should be oiled periodically.

Copies are not retraced in case of alternations