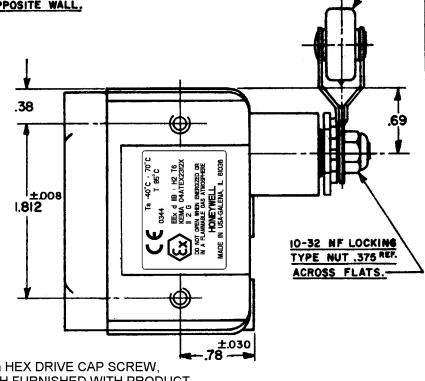
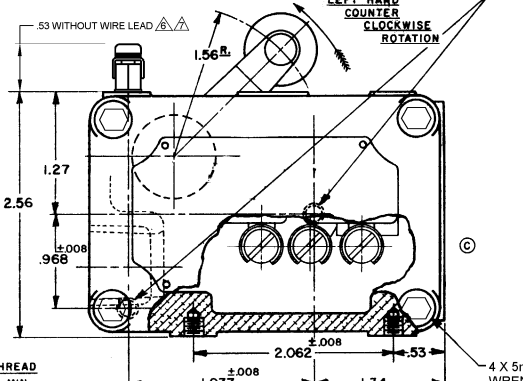
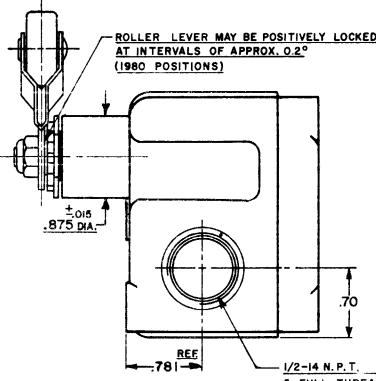
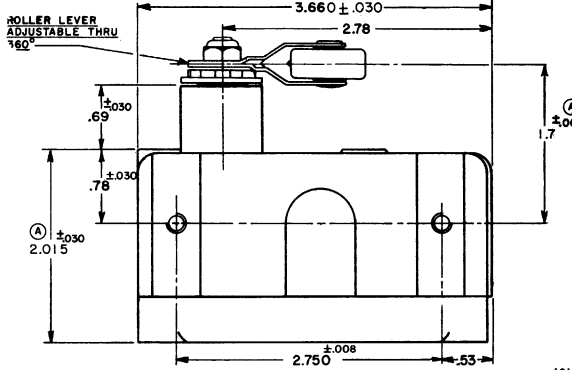
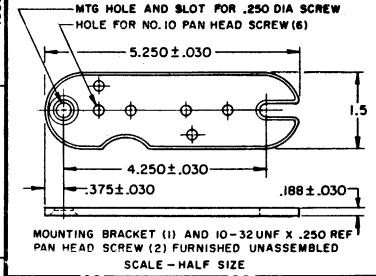


EX-AR30
 DRAWING NUMBER
 ISSUE 12
 REVISIONS
 A C.O. 10/34
 B C.O. 12/61
 C C.O. 1/62
 D C.O. 1/63
 E C.O. 1/64
 F C.O. 1/65
 G C.O. 1/66
 H C.O. 1/67
 I C.O. 1/68
 J C.O. 1/69
 K C.O. 1/70
 L C.O. 1/71
 M C.O. 1/72
 N C.O. 1/73
 O C.O. 1/74
 P C.O. 1/75
 Q C.O. 1/76
 R C.O. 1/77
 S C.O. 1/78
 T C.O. 1/79
 U C.O. 1/80
 V C.O. 1/81
 W C.O. 1/82
 X C.O. 1/83
 Y C.O. 1/84
 Z C.O. 1/85
 AA C.O. 1/86
 AB C.O. 1/87
 AC C.O. 1/88
 AD C.O. 1/89
 AE C.O. 1/90
 AF C.O. 1/91
 AG C.O. 1/92
 AH C.O. 1/93
 AI C.O. 1/94
 AJ C.O. 1/95
 AK C.O. 1/96
 AL C.O. 1/97
 AM C.O. 1/98
 AN C.O. 1/99
 AO C.O. 1/100

MICRO SWITCH
 A DIVISION OF HONEYWELL INTERNATIONAL COMPANY
 HONEYWELL BUILDING
 MILWAUKEE, WISCONSIN 53213
 FED. MFR. CODE 91922

SWITCH-ENCLOSED
EX-AR30

CATALOG LISTING
 THIS DRAWING COVERS A PROPRIETARY ITEM AND IS THE PROPERTY OF MICRO SWITCH, A DIVISION OF HONEYWELL. THIS DRAWING IS NOT TO BE COPIED OR USED WITHOUT THE APPROVAL OF MICRO SWITCH.



CHARACTERISTICS
 OPERATING FORCE - 2 1/2 LBS. MAX.
 PRETRAVEL - 3 1/2 (.065 MAX.)
 DIFFERENTIAL TRAVEL - 1/4 (.007 MAX.)
 OVERTRAVEL - DO NOT OVERTRAVEL
 MORE THAN 25°
 SWITCH-BASIC REPLACEMENT - BZ-2R-P4

ELECTRICAL DATA
 CONTACT ARRANGEMENT
 S. P. D. T.

-L96- 15 A - 125, 180, OR 480 VAC
 1/2 A - 125 VDC; 1/4 A - 250 VDC
 1/8 HP - 125 VAC; 1/4 HP - 250 VAC

SCALE - FULL
 DO NOT SCALE PRINT
 UNLESS OTHERWISE
 SPECIFIED
 DIMENSIONS ARE IN INCHES
TOLERANCES ARE:
 ONE PLACE (.00) ±.030
 TWO PLACE (.000) ±.018
 THREE PLACE (.0000) ±.008
WEIGHT

NOTES
 1 - (6) MOUNTING SCREW HOLES, 10-32 NF-2B THREADS X .219 REF DEEP
 2 - 8-32 NC X .219 REF TERMINAL SCREWS AND CUPWASHERS
 3 - EXPLOSION PROOF - UNDERWRITERS LAB. INC. LISTING FOR HAZARDOUS
 LOCATIONS NEMA 7, CLASS I, GROUPS C AND D, NEMA 9, CLASS II GROUPS E, F AND G
 4 - EUROPEAN HAZARDOUS LOCATIONS DESIGNATION: EEx d IIB + H2 T6 CATEGORY II 2 G
 5 - SEAL RATING: NEMA 1

△ EXTERNAL GROUND SCREW MAY BE ASSEMBLED TO ANY UNUSED MOUNTING SCREW HOLE
 △ ASSEMBLY PROVIDED SPLIT LOCKWASHER BETWEEN GROUND LUG AND HOUSING