

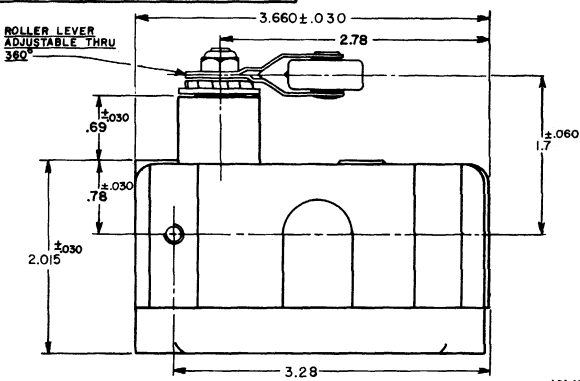
MICRO SWITCH
A DIVISION OF HONEYWELL INTERNATIONAL CORPORATION
FED. MFR. CODE 91929

SWITCH-ENCLOSED

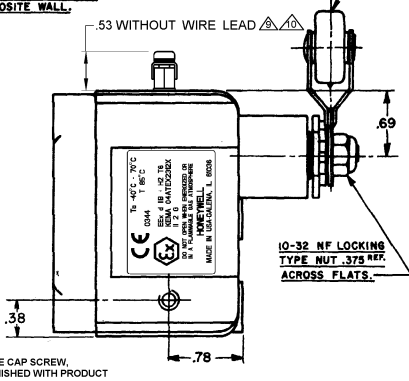
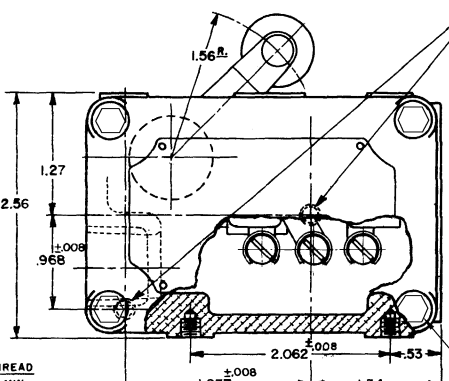
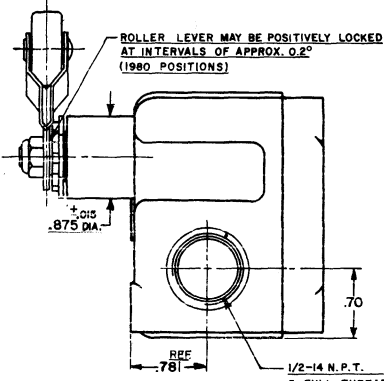
CATALOG LISTING
EX-AR16^{PR}

THIS DRAWING COVERS A PROPRIETARY ITEM AND IS THE PROPERTY OF MICRO SWITCH, A DIVISION OF HONEYWELL. THIS DRAWING IS NOT TO BE COPIED OR USED WITHOUT THE APPROVAL OF MICRO SWITCH.

EX-AR16
 DRAWING NUMBER
 ISSUE 17
 REVISIONS
 A CO11034
 R. G. C. L. DEC. 56
 G. C. H. 1680
 R. F. F. 10 DEC. 62
 C. CO17653
 247 FEB. 64
 D. CO19260
 R. J. W. 14
 CO19878
 W. E. S. 8 SEPT. 66
 CO26903
 07 FEB. 67
 CO48675
 W. M. 1 NOV. 80
 CO45479
 G. J. W. 81
 CO45380
 N. S. 1 NOV. 91
 CO191581
 R. G. C. III DEC. 96
 CO17075-C
 S. A. V. 91
 NOV. 91



750 REF. DIA. X .312 REF. WIDE ROLLER
MADE OF NON-SPARKING WEAR
RESISTANT MATERIAL



CHARACTERISTICS	ELECTRICAL DATA	SCALE FULL															
OPERATING FORCE ----- 2 OZ. MAX.	CONTACT ARRANGEMENT S. P. D. T.	BREAK DISTANCE .020 MIN.															
PRETRAVEL } A S G D	-L96- 15A-125, 250, OR 480 VAC 1/2 A-125 VDC; 1/4 A-250 VDC 1/8 HP-125 VAC; 1/4 HP-250 VAC	DO NOT SCALE PRINT															
OVERTRAVEL } A S G D		UNLESS OTHERWISE SPECIFIED DIMENSIONS ARE IN INCHES															
SWITCH BASIC REPLACEMENT-BZ-2RW88-P5	<table border="1"> <tr> <th>TOLERANCES ARE:</th> <th>ONE PLACE (.01)</th> <th>±.030</th> </tr> <tr> <td>TWO PLACE (.001)</td> <td>±.018</td> <td></td> </tr> <tr> <td>THREE PLACE (.000)</td> <td>±.008</td> <td></td> </tr> <tr> <td>ANGLES</td> <td>±.008</td> <td></td> </tr> <tr> <td>WEIGHT</td> <td></td> <td></td> </tr> </table>	TOLERANCES ARE:	ONE PLACE (.01)	±.030	TWO PLACE (.001)	±.018		THREE PLACE (.000)	±.008		ANGLES	±.008		WEIGHT			NOTE: 1-EXPLOSION PROOF-UNDERWRITERS LAB. INC. LISTED FOR HAZARDOUS LOCATIONS (NEMA CLASS 1, GROUP C AND D, NEMA CLASS II, GROUPS E, F AND G) 2-(6) MOUNTING SCREW HOLES, 10-32 NF-28 THREADS X .89" DEEP 3-(2) 2-20" TERMINAL SCREWS AND CUPWASHERS 4-UNIT PROVIDES NO LEVER RETURNING FORCE, LINE ACTUATING DEVICE MUST POSITIVELY MOVE OVER OF THE LEVER 5-CIRCUIT IS MADE THROUGH THE NORMALLY CLOSED CONTACT FOR APPROX. 90° ROTATION OF THE LEVER AND THROUGH THE NORMALLY OPEN CONTACT FOR APPROX. 370° ROTATION 6-LEVER ROTATION IS NOT RESTRICTED IN EITHER DIRECTION 7-EUROPEAN HAZARDOUS LOCATIONS DESIGNATION: EEL 2 (IEC-HZ TR CATALOGUE 2.2) 8-SEAL RATING: NEMA 9-EXTERNAL GROUND SCREW MAY BE ASSEMBLED TO ANY UNUSED MOUNTING SCREW HOLE 10-ASSEMBLY PROVIDED SPLIT LOCKWASHER BETWEEN GROUND LUG AND HOUSING
TOLERANCES ARE:	ONE PLACE (.01)	±.030															
TWO PLACE (.001)	±.018																
THREE PLACE (.000)	±.008																
ANGLES	±.008																
WEIGHT																	