

MICRO SWITCH

FREERPORT ILLINOIS, U.S.A
A DIVISION OF HONEYWELL INC.
FED. MFG. CODE 91929

SWITCH-ENCLOSED

CATALOG LISTING

DTF2-2RN-LH

DTF2-2RN-LH

REPLACES SKETCH 5583

RELEASE NO. SR-3244

M

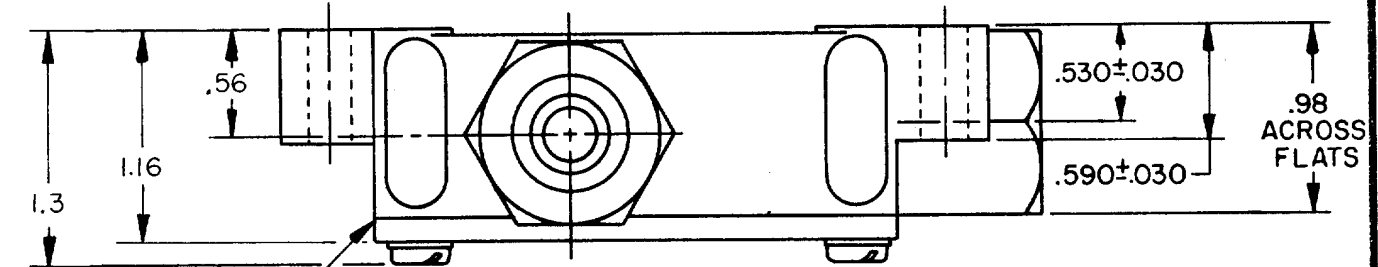
DRAWING NUMBER

ISSUE

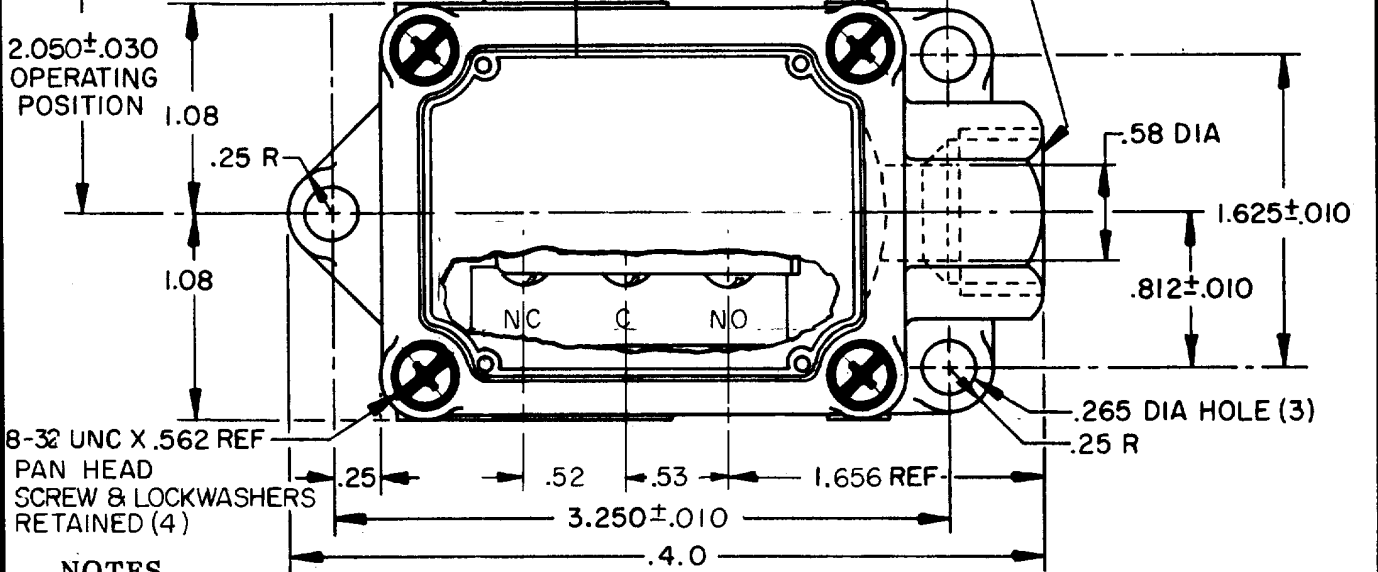
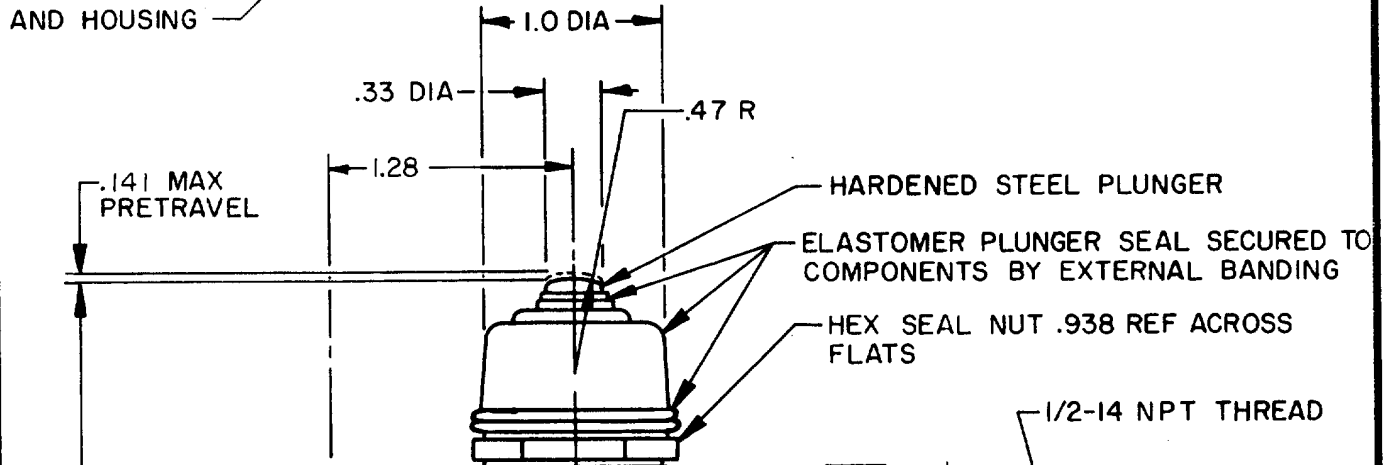
11

REVISIONS

A	C064181	TSK	28 SEPT 88
B	C071134	TSM	27 SEP 91
C	C072788	G JW	11 SEP 92
D	C077179-C	J J G	12 MAR 94



GASKET TYPE SEAL BETWEEN COVER AND HOUSING



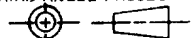
8-32 UNC X .562 REF PAN HEAD SCREW & LOCKWASHERS RETAINED (4)

NOTES

1 - 4-40 NC X .125 LONG ROUND HEAD TERMINAL SCREWS & LOCKWASHERS

THIS DRAWING COVERS A PROPRIETARY ITEM AND IS THE PROPERTY OF MICRO SWITCH, A DIVISION OF HONEYWELL. THIS DRAWING IS NOT TO BE COPIED OR USED WITHOUT THE APPROVAL OF MICRO SWITCH.

THIRD ANGLE PROJECTION



CHARACTERISTICS

OPERATING FORCE ---- 2 1/2 LBS MAX
RELEASE FORCE ----- 1/4 LB MIN
DIFFERENTIAL TRAVEL ---- .060 MAX
OVERTRAVEL ----- .156 MIN
BASIC SWITCH REPLACEMENT - DT-2R-A7

ELECTRICAL DATA

CONTACT ARRANGEMENT
D P D T

10A 125 OR 250 VAC
0.3A 125 VDC, 0.15A 250 VDC

L59



SCALE FULL

DO NOT SCALE PRINT

UNLESS OTHERWISE SPECIFIED TOLERANCES ARE

ONE PLACE (.0) ± .030
TWO PLACE (.00) ± .015
THREE PLACE (.000) ± .005

ANGLES ±
RAW MATERIAL - COMMERCIAL STANDARD

DIMENSIONS ARE IN INCHES AND ARE TO BE MET BEFORE PROTECTIVE COATINGS ARE APPLIED

MICRO SWITCH STANDARDS APPLY

WEIGHT .500 LB

FO-52848-B

DRAWN

T S K 28 SEPT 88 CHECK D J S 11 OCT 88 CHECK