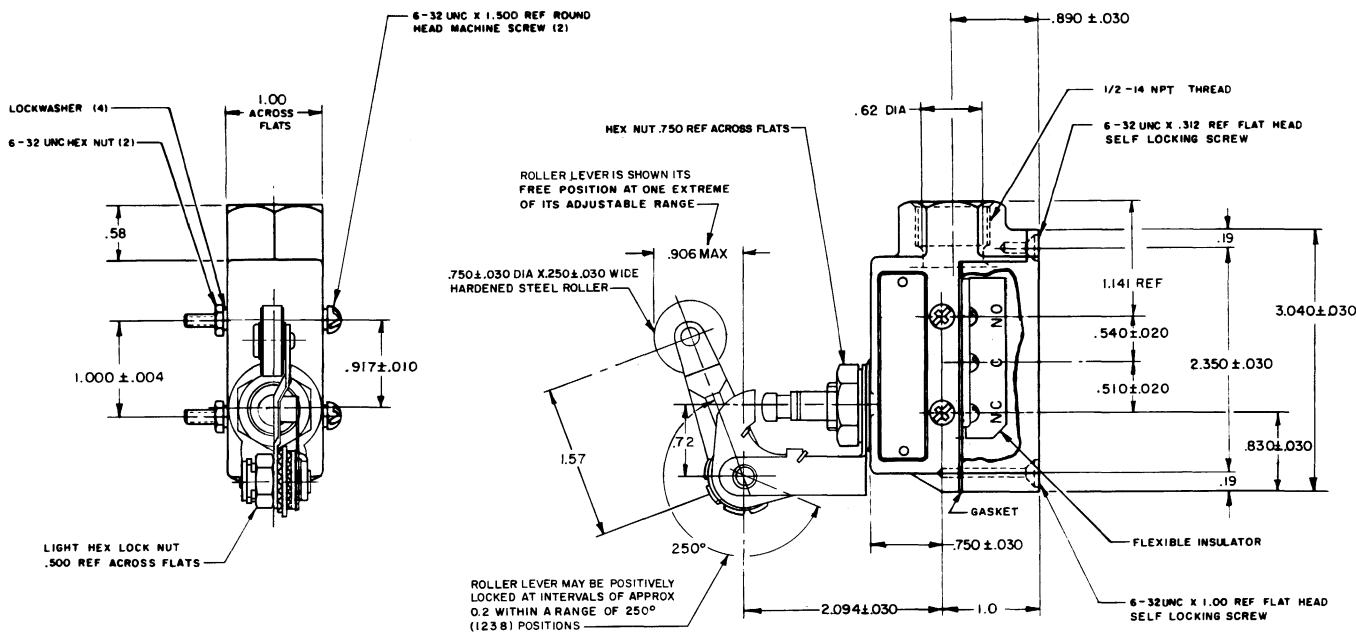


MICRO SWITCH
FED. MFR. CODE 91929

SWITCH-ENCLOSED

CATALOG LISTING
DTE6-2RQ2

M DTE6-2RQ2
 DRAWING NUMBER
 RELEASE NO. SR 12895
 CHECK BP 14 FEB 68
 REVISIONS
 A SR 12895
 B M B
 C D 1028701
 D RD 19 JAN 68
 E C 53151-D
 F 1 MAR 64
 G D C 055893
 H C 71
 I 8 NOV 64
 J E 1054956
 K T S K
 L 25 FEB 68
 M F 027261
 N W W
 O 8 SEP 62
 P G C 081910
 Q K A
 R 5 MAR 97
 S H 0016884
 T R B
 U 10 NOV 05
 V J 0018962
 W S F
 X 14 FEB 68
 Y
 Z
 FORM TEK
 M.B.F. 17 JAN 64
 DT-2R3-A7



- NOTE -
- 1 - 4-40 UNC X .125 REF TERMINAL SCREW AND LOCKWASHER (6)
 - 2 - ROLLER LEVER BRACKET ASSEMBLY MAY BE SET AT ANY POSITION AROUND AXIS OF PLUNGER
 - 3 - SEAL RATING: NEMA 1 IP40

THIS DRAWING COVERS A PROPRIETARY ITEM AND IS THE PROPERTY OF MICRO SWITCH, A DIVISION OF MINNEAPOLIS-HONEYWELL REGULATOR CO THIS DRAWING IS NOT TO BE COPIED OR USED WITHOUT THE APPROVAL OF MICRO SWITCH

CHARACTERISTICS	ELECTRICAL DATA	SCALE FULL
PRETRAVEL - - - - .266 MAX	CONTACT ARRANGEMENT D P D T	DO NOT SCALE PRINT
DIFFERENTIAL TRAVEL - - .165 MAX	-L59- 10 A-125 OR 150 WAC 0.3 A-125 VDC, 0.15 A-250 VDC	UNLESS OTHERWISE SPECIFIED
OVERTRAVEL - - - - .219 MIN		TOLERANCES ARE:
SWITCH-BASIC REPLACEMENT - DT-2R3-A7		DIMENSIONS ARE IN INCHES
		ONE PLACE (.01) ± .010
		TWO PLACE (.001) ± .018
		THREE PLACE (.0001) ± .008
		ANGLES 2
		WEIGHT