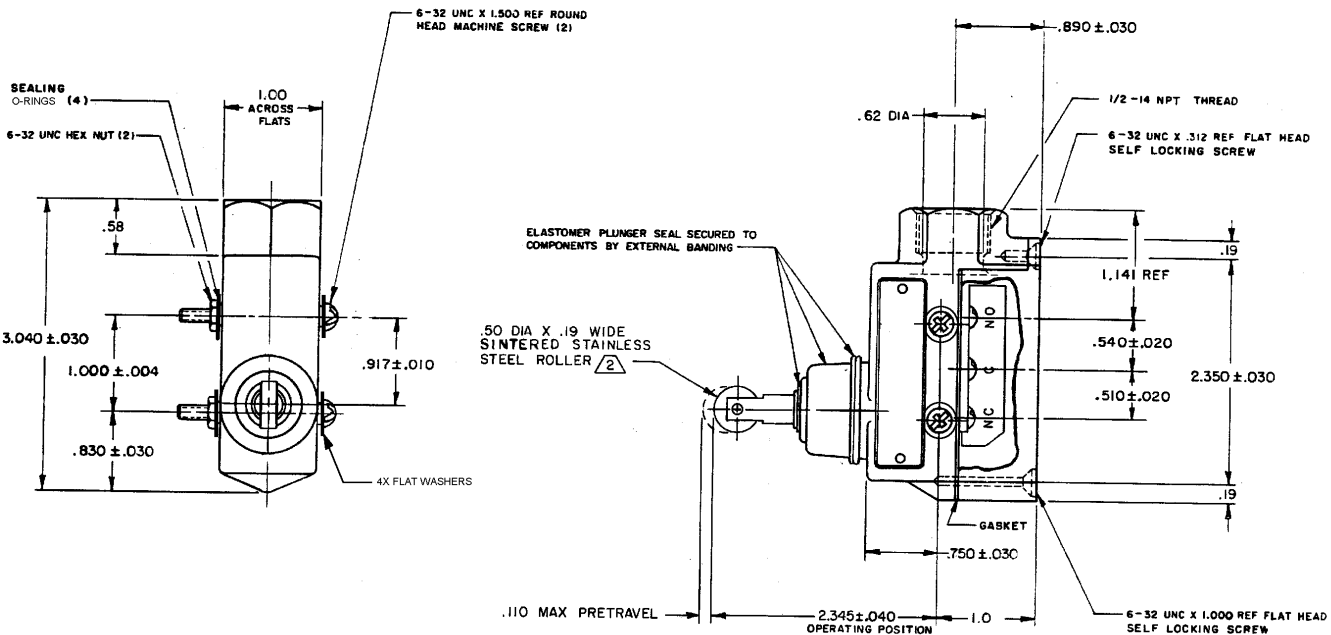


MICRO SWITCH
 FREEPORT, ILLINOIS, U.S.A.
 A DIVISION OF HONEYWELL
 FED. MFG. CODE 91920

SWITCH-ENCLOSED

CATALOG LISTING
DTE6 - 2RN80

DTE6-2RN80
 DRAWING NUMBER
 ISSUE 6
 RELEASE NO. PR-17079
 14FEB06
 BP
 REVISIONS
 A 072861
 B 072862
 C 072863
 D 0018995
 E 0018962
 APR 89
 7 APR 89
 14 APR 89



THIS DRAWING COVERS A PROPRIETARY ITEM AND IS THE PROPERTY OF MICRO SWITCH, A DIVISION OF HONEYWELL. THIS DRAWING IS NOT TO BE COPIED OR USED WITHOUT THE APPROVAL OF MICRO SWITCH.

CHARACTERISTICS	ELECTRICAL DATA	SCALE FULL
OPERATING FORCE ----- 20 - 48 OZ	CONTACT ARRANGEMENT D P D T	DO NOT SCALE PRINT
DIFFERENTIAL FORCE -----	L59	UNLESS OTHERWISE SPECIFIED TOLERANCES ARE
RELEASE FORCE ----- 6 OZ MIN	10A 125 OR 250 VAC	ONE PLACE (.0) ± .030
PRETRAVEL -----	0.3A 125 VDC, 0.15A 250 VDC	TWO PLACE (.00) ± .015
DIFFERENTIAL TRAVEL ----- .060 MAX	RU	THREE PLACE (.000) ± .005
OVERTRAVEL ----- .125 MIN		ANGLES ±
FREE POSITION -----		THIRD ANGLE PROJECTION
SWITCH - BASIC REPLACEMENT - DT-2R3-A7		WEIGHT .56 LB

- NOTES
- 1 - 4-40 UNC X .125 REF TERMINAL SCREW & LOCKWASHER (6)
 - 2 - ROLLER MAY BE SET AT ANY POSITION AROUND AXIS OF PLUNGER
 - 3 - SEAL RATING : NEMA 1.3 IP 54