

**MICRO SWITCH**  
 FREEPORT, ILLINOIS, U.S.A.  
 A DIVISION OF HONEYWELL  
 FED. MFG. CODE 9188R

**SWITCH-ENCLOSED**

CATALOG LISTING  
**BZGI-2RN34**

BZGI-2RN34

M

DRAWING NUMBER

X

4

ISSUE

REVISIONS

A

S.L.B.

18 JUN 59

B

C

7/7/79-C

MAX

12 MAR 84

FORSESS-B

DRAWN

J.A.S.

14 OCT 85

CHECK

K.A.C.

17 OCT 85

CHECK

14 OCT 85

CHECK

14 OCT 85

CHECK

14 OCT 85

CHECK

14 OCT 85

CHECK

14 OCT 85

CHECK

14 OCT 85

CHECK

14 OCT 85

CHECK

14 OCT 85

CHECK

14 OCT 85

CHECK

14 OCT 85

CHECK

14 OCT 85

CHECK

14 OCT 85

CHECK

14 OCT 85

CHECK

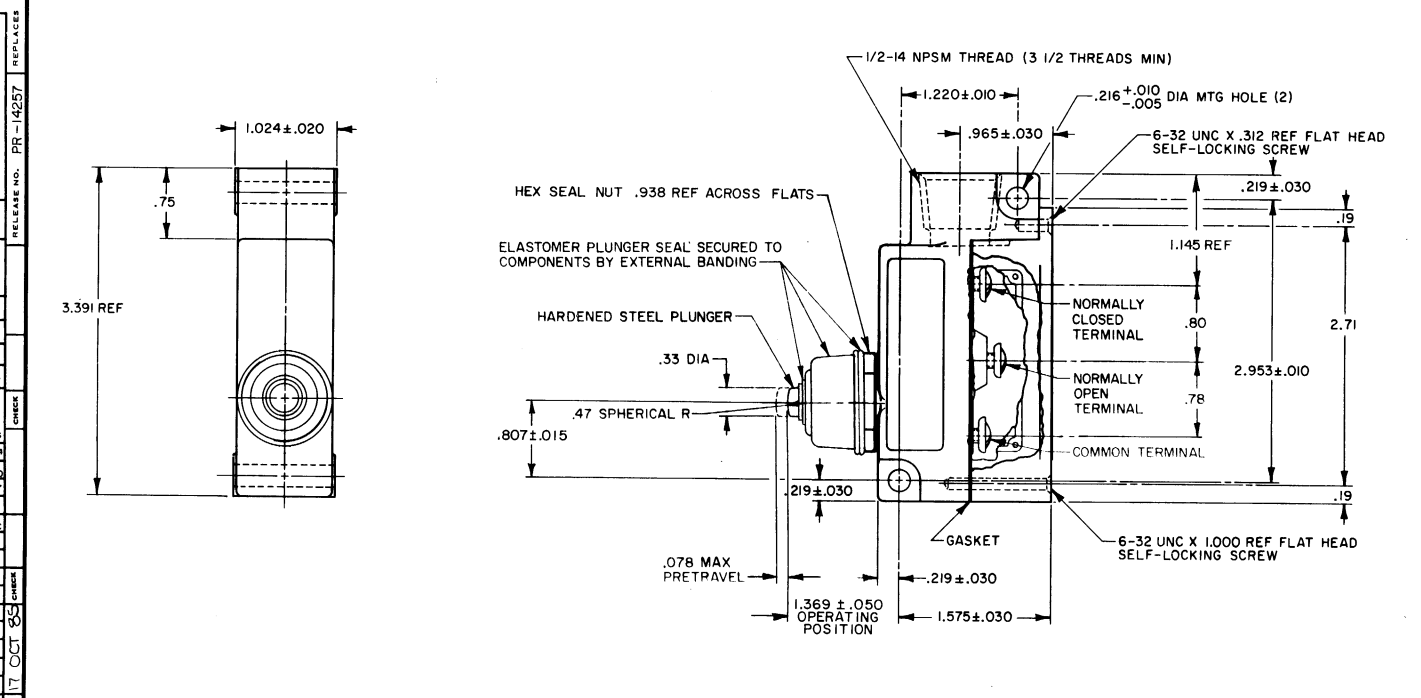
14 OCT 85

CHECK

14 OCT 85

CHECK

14 OCT 85



THIS DRAWING COVERS A PROPRIETARY ITEM AND IS THE PROPERTY OF MICRO SWITCH, A DIVISION OF HONEYWELL. THIS DRAWING IS NOT TO BE COPIED OR USED WITHOUT THE APPROVAL OF MICRO SWITCH.

CHARACTERISTICS	ELECTRICAL DATA
OPERATING FORCE ----- 15-39 OZ	CONTACT ARRANGEMENT S P D T
RELEASE FORCE ----- 10 OZ MIN	L74
DIFFERENTIAL TRAVEL ----- .002 MAX	1/5A 125, 250, OR 480VAC 2A 800 VAC
OVERTRAVEL ----- .219 MIN	1/8 HP 125 VAC, 1/4 HP 250 VAC
SWITCH-BASIC REPLACEMENT ----- BZ-2RN7027	1/2A 125 VDC, 1/4A 250 VDC
	RL

SCALE FULL	
DO NOT SCALE PRINT	
TOLERANCES	
APPLY TO DIMENSIONS UNLESS OTHERWISE SPECIFIED. TOLERANCES ARE IN INCHES UNLESS NOTED OTHERWISE.	
NO PLACES	± .001
ONE PLACE	± .002
TWO PLACES	± .003
THREE PLACES	± .004
FOUR PLACES	± .005
FIVE PLACES	± .006
SIX PLACES	± .007
SEVEN PLACES	± .008
EIGHT PLACES	± .009
NINE PLACES	± .010
TEN PLACES	± .011
ELEVEN PLACES	± .012
TWELVE PLACES	± .013
THIRTEEN PLACES	± .014
FOURTEEN PLACES	± .015
FIFTEEN PLACES	± .016
SIXTEEN PLACES	± .017
SEVENTEEN PLACES	± .018
EIGHTEEN PLACES	± .019
NINETEEN PLACES	± .020
TWENTY PLACES	± .021
TWENTY-ONE PLACES	± .022
TWENTY-TWO PLACES	± .023
TWENTY-THREE PLACES	± .024
TWENTY-FOUR PLACES	± .025
TWENTY-FIVE PLACES	± .026
TWENTY-SIX PLACES	± .027
TWENTY-SEVEN PLACES	± .028
TWENTY-EIGHT PLACES	± .029
TWENTY-NINE PLACES	± .030
THIRTY PLACES	± .031
THIRTY-ONE PLACES	± .032
THIRTY-TWO PLACES	± .033
THIRTY-THREE PLACES	± .034
THIRTY-FOUR PLACES	± .035
THIRTY-FIVE PLACES	± .036
THIRTY-SIX PLACES	± .037
THIRTY-SEVEN PLACES	± .038
THIRTY-EIGHT PLACES	± .039
THIRTY-NINE PLACES	± .040
FOURTY PLACES	± .041
FOURTY-ONE PLACES	± .042
FOURTY-TWO PLACES	± .043
FOURTY-THREE PLACES	± .044
FOURTY-FOUR PLACES	± .045
FOURTY-FIVE PLACES	± .046
FOURTY-SIX PLACES	± .047
FOURTY-SEVEN PLACES	± .048
FOURTY-EIGHT PLACES	± .049
FOURTY-NINE PLACES	± .050
FIFTY PLACES	± .051
FIFTY-ONE PLACES	± .052
FIFTY-TWO PLACES	± .053
FIFTY-THREE PLACES	± .054
FIFTY-FOUR PLACES	± .055
FIFTY-FIVE PLACES	± .056
FIFTY-SIX PLACES	± .057
FIFTY-SEVEN PLACES	± .058
FIFTY-EIGHT PLACES	± .059
FIFTY-NINE PLACES	± .060
SIXTY PLACES	± .061
SIXTY-ONE PLACES	± .062
SIXTY-TWO PLACES	± .063
SIXTY-THREE PLACES	± .064
SIXTY-FOUR PLACES	± .065
SIXTY-FIVE PLACES	± .066
SIXTY-SIX PLACES	± .067
SIXTY-SEVEN PLACES	± .068
SIXTY-EIGHT PLACES	± .069
SIXTY-NINE PLACES	± .070
SEVENTY PLACES	± .071
SEVENTY-ONE PLACES	± .072
SEVENTY-TWO PLACES	± .073
SEVENTY-THREE PLACES	± .074
SEVENTY-FOUR PLACES	± .075
SEVENTY-FIVE PLACES	± .076
SEVENTY-SIX PLACES	± .077
SEVENTY-SEVEN PLACES	± .078
SEVENTY-EIGHT PLACES	± .079
SEVENTY-NINE PLACES	± .080
EIGHTY PLACES	± .081
EIGHTY-ONE PLACES	± .082
EIGHTY-TWO PLACES	± .083
EIGHTY-THREE PLACES	± .084
EIGHTY-FOUR PLACES	± .085
EIGHTY-FIVE PLACES	± .086
EIGHTY-SIX PLACES	± .087
EIGHTY-SEVEN PLACES	± .088
EIGHTY-EIGHT PLACES	± .089
EIGHTY-NINE PLACES	± .090
NINETY PLACES	± .091
NINETY-ONE PLACES	± .092
NINETY-TWO PLACES	± .093
NINETY-THREE PLACES	± .094
NINETY-FOUR PLACES	± .095
NINETY-FIVE PLACES	± .096
NINETY-SIX PLACES	± .097
NINETY-SEVEN PLACES	± .098
NINETY-EIGHT PLACES	± .099
NINETY-NINE PLACES	± .100
HUNDRED PLACES	± .101
HUNDRED-ONE PLACES	± .102
HUNDRED-TWO PLACES	± .103
HUNDRED-THREE PLACES	± .104
HUNDRED-FOUR PLACES	± .105
HUNDRED-FIVE PLACES	± .106
HUNDRED-SIX PLACES	± .107
HUNDRED-SEVEN PLACES	± .108
HUNDRED-EIGHT PLACES	± .109
HUNDRED-NINE PLACES	± .110
ONE THOUSAND PLACES	± .111
ONE THOUSAND-ONE PLACES	± .112
ONE THOUSAND-TWO PLACES	± .113
ONE THOUSAND-THREE PLACES	± .114
ONE THOUSAND-FOUR PLACES	± .115
ONE THOUSAND-FIVE PLACES	± .116
ONE THOUSAND-SIX PLACES	± .117
ONE THOUSAND-SEVEN PLACES	± .118
ONE THOUSAND-EIGHT PLACES	± .119
ONE THOUSAND-NINE PLACES	± .120
TWO THOUSAND PLACES	± .121
TWO THOUSAND-ONE PLACES	± .122
TWO THOUSAND-TWO PLACES	± .123
TWO THOUSAND-THREE PLACES	± .124
TWO THOUSAND-FOUR PLACES	± .125
TWO THOUSAND-FIVE PLACES	± .126
TWO THOUSAND-SIX PLACES	± .127
TWO THOUSAND-SEVEN PLACES	± .128
TWO THOUSAND-EIGHT PLACES	± .129
TWO THOUSAND-NINE PLACES	± .130
THREE THOUSAND PLACES	± .131
THREE THOUSAND-ONE PLACES	± .132
THREE THOUSAND-TWO PLACES	± .133
THREE THOUSAND-THREE PLACES	± .134
THREE THOUSAND-FOUR PLACES	± .135
THREE THOUSAND-FIVE PLACES	± .136
THREE THOUSAND-SIX PLACES	± .137
THREE THOUSAND-SEVEN PLACES	± .138
THREE THOUSAND-EIGHT PLACES	± .139
THREE THOUSAND-NINE PLACES	± .140
FOUR THOUSAND PLACES	± .141
FOUR THOUSAND-ONE PLACES	± .142
FOUR THOUSAND-TWO PLACES	± .143
FOUR THOUSAND-THREE PLACES	± .144
FOUR THOUSAND-FOUR PLACES	± .145
FOUR THOUSAND-FIVE PLACES	± .146
FOUR THOUSAND-SIX PLACES	± .147
FOUR THOUSAND-SEVEN PLACES	± .148
FOUR THOUSAND-EIGHT PLACES	± .149
FOUR THOUSAND-NINE PLACES	± .150
FIVE THOUSAND PLACES	± .151
FIVE THOUSAND-ONE PLACES	± .152
FIVE THOUSAND-TWO PLACES	± .153
FIVE THOUSAND-THREE PLACES	± .154
FIVE THOUSAND-FOUR PLACES	± .155
FIVE THOUSAND-FIVE PLACES	± .156
FIVE THOUSAND-SIX PLACES	± .157
FIVE THOUSAND-SEVEN PLACES	± .158
FIVE THOUSAND-EIGHT PLACES	± .159
FIVE THOUSAND-NINE PLACES	± .160
SIX THOUSAND PLACES	± .161
SIX THOUSAND-ONE PLACES	± .162
SIX THOUSAND-TWO PLACES	± .163
SIX THOUSAND-THREE PLACES	± .164
SIX THOUSAND-FOUR PLACES	± .165
SIX THOUSAND-FIVE PLACES	± .166
SIX THOUSAND-SIX PLACES	± .167
SIX THOUSAND-SEVEN PLACES	± .168
SIX THOUSAND-EIGHT PLACES	± .169
SIX THOUSAND-NINE PLACES	± .170
SEVEN THOUSAND PLACES	± .171
SEVEN THOUSAND-ONE PLACES	± .172
SEVEN THOUSAND-TWO PLACES	± .173
SEVEN THOUSAND-THREE PLACES	± .174
SEVEN THOUSAND-FOUR PLACES	± .175
SEVEN THOUSAND-FIVE PLACES	± .176
SEVEN THOUSAND-SIX PLACES	± .177
SEVEN THOUSAND-SEVEN PLACES	± .178
SEVEN THOUSAND-EIGHT PLACES	± .179
SEVEN THOUSAND-NINE PLACES	± .180
EIGHT THOUSAND PLACES	± .181
EIGHT THOUSAND-ONE PLACES	± .182
EIGHT THOUSAND-TWO PLACES	± .183
EIGHT THOUSAND-THREE PLACES	± .184
EIGHT THOUSAND-FOUR PLACES	± .185
EIGHT THOUSAND-FIVE PLACES	± .186
EIGHT THOUSAND-SIX PLACES	± .187
EIGHT THOUSAND-SEVEN PLACES	± .188
EIGHT THOUSAND-EIGHT PLACES	± .189
EIGHT THOUSAND-NINE PLACES	± .190
NINE THOUSAND PLACES	± .191
NINE THOUSAND-ONE PLACES	± .192
NINE THOUSAND-TWO PLACES	± .193
NINE THOUSAND-THREE PLACES	± .194
NINE THOUSAND-FOUR PLACES	± .195
NINE THOUSAND-FIVE PLACES	± .196
NINE THOUSAND-SIX PLACES	± .197
NINE THOUSAND-SEVEN PLACES	± .198
NINE THOUSAND-EIGHT PLACES	± .199
NINE THOUSAND-NINE PLACES	± .200

NOTES  
 1 - 6-32 UNC X .219 REF BINDING HEAD TERMINAL SCREW AND CUPWASHER (3)