

MICRO SWITCH
a Honeywell Division
FED. MFG. CODE 91928

SWITCH - ENCLOSED

CATALOG LISTING
BZE6-2RN-F3

DRAWING NUMBER
BZE6-2RN-F3

ISSUE
4

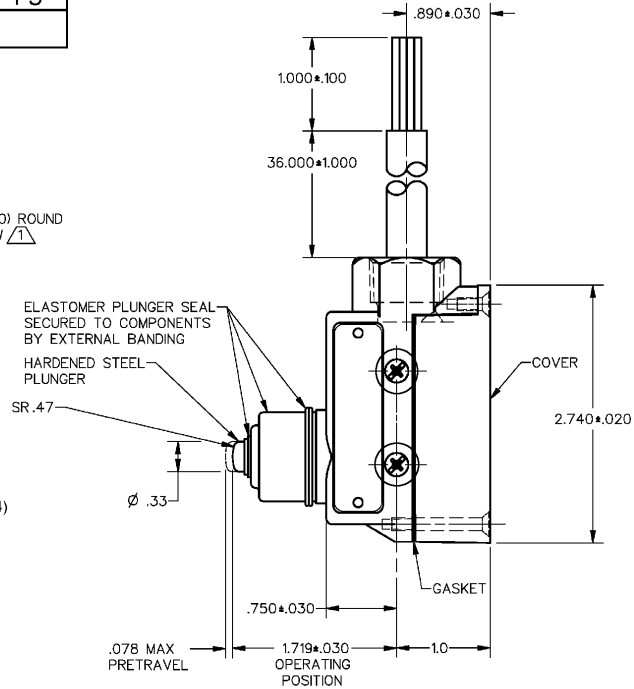
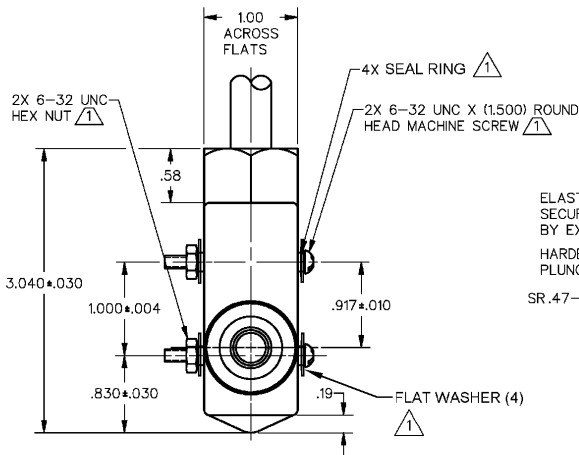
REVISIONS
A 12/28/55
B 12/28/55
C 007273
D 12/28/55

CHECK
21NOV05

DRAWN
SAV 17 OCT 91

RASTER

RELEASE NO. PR-19438
REPLACES



- NOTE
 1 FURNISHED UNASSEMBLED
 2 - SWITCH CAVITY FULLY POTTED
 3 - SEAL RATING: NEMA 1, 3, 4, 12, 13 IP56

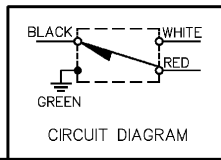
THIS DRAWING COVERS A PROPRIETARY ITEM AND IS THE PROPERTY OF MICRO SWITCH, A DIVISION OF HONEYWELL. THIS DRAWING IS NOT TO BE COPIED OR USED WITHOUT THE APPROVAL OF MICRO SWITCH

THIRD ANGLE PROJECTION

CHARACTERISTICS	
OPERATING FORCE	15-39 OZ
RELEASE FORCE	10 OZ MIN
DIFFERENTIAL TRAVEL	.002 MAX
OVERTRAVEL	.219 MIN

ELECTRICAL DATA	
CONTACT ARRANGEMENT S P D T	
L270 10A 125, 250 OR 480 VAC 2A 600 VAC	
1/8HP 125 VAC, 1/4HP 250 VAC 1/2A 125 VDC, 1/4A 250 VDC	
1.5A, 240 Vac	

UNLESS OTHERWISE SPECIFIED TOLERANCES ARE	
ONE PLACE (.0)	±.030
TWO PLACE (.00)	±.015
THREE PLACE (.000)	±.005
ANGLES	±
WEIGHT	



ANSI Y14.5M-1982 APPLIES