

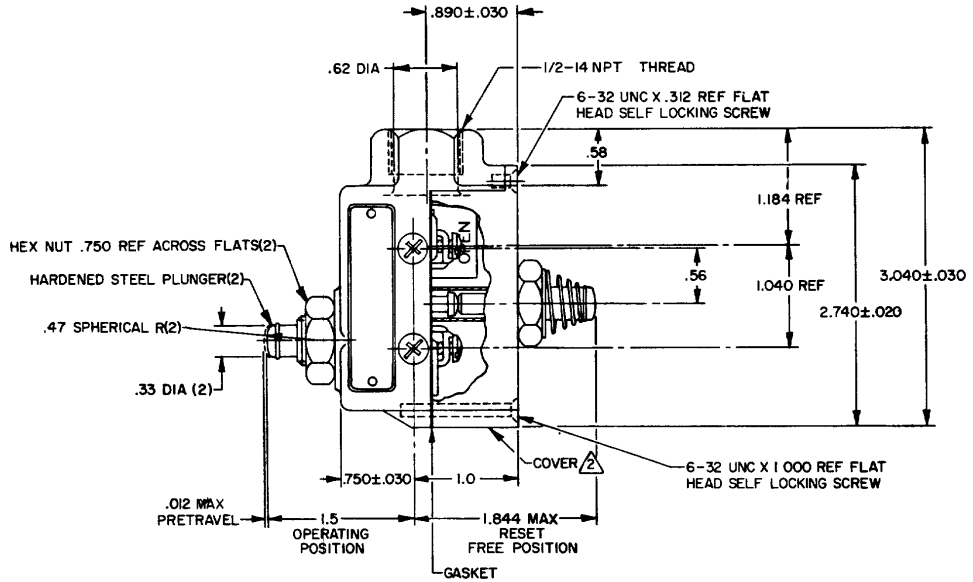
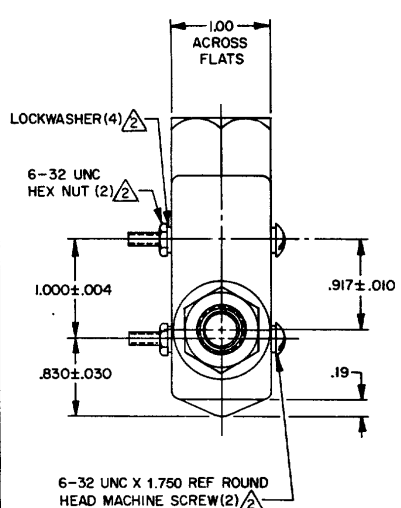
**MICRO SWITCH**  
 FREEPORT ILLINOIS U.S.A  
 A DIVISION OF HONEYWELL  
 FED MFG CODE 81928

**SWITCH - ENCLOSED**

CATALOG LISTING  
**BZE6-RQX2**

**BZE6-RQX2**

ISSUE	9	PSR	28AUG67	RELEASE NO.																																																																																																								
DRAWING NUMBER	M																																																																																																											
REVISIONS	<table border="1"> <tr><td>A</td><td>20</td><td>28000-R</td><td></td></tr> <tr><td>B</td><td>24</td><td>AUG 77</td><td></td></tr> <tr><td>C</td><td>05</td><td>SEP 77</td><td></td></tr> <tr><td>D</td><td>05</td><td>SEP 77</td><td></td></tr> <tr><td>E</td><td>07</td><td>SEP 77</td><td></td></tr> <tr><td>F</td><td>08</td><td>SEP 77</td><td></td></tr> <tr><td>G</td><td>09</td><td>SEP 77</td><td></td></tr> <tr><td>H</td><td>10</td><td>SEP 77</td><td></td></tr> <tr><td>I</td><td>11</td><td>SEP 77</td><td></td></tr> <tr><td>J</td><td>12</td><td>SEP 77</td><td></td></tr> <tr><td>K</td><td>13</td><td>SEP 77</td><td></td></tr> <tr><td>L</td><td>14</td><td>SEP 77</td><td></td></tr> <tr><td>M</td><td>15</td><td>SEP 77</td><td></td></tr> <tr><td>N</td><td>16</td><td>SEP 77</td><td></td></tr> <tr><td>O</td><td>17</td><td>SEP 77</td><td></td></tr> <tr><td>P</td><td>18</td><td>SEP 77</td><td></td></tr> <tr><td>Q</td><td>19</td><td>SEP 77</td><td></td></tr> <tr><td>R</td><td>20</td><td>SEP 77</td><td></td></tr> <tr><td>S</td><td>21</td><td>SEP 77</td><td></td></tr> <tr><td>T</td><td>22</td><td>SEP 77</td><td></td></tr> <tr><td>U</td><td>23</td><td>SEP 77</td><td></td></tr> <tr><td>V</td><td>24</td><td>SEP 77</td><td></td></tr> <tr><td>W</td><td>25</td><td>SEP 77</td><td></td></tr> <tr><td>X</td><td>26</td><td>SEP 77</td><td></td></tr> <tr><td>Y</td><td>27</td><td>SEP 77</td><td></td></tr> <tr><td>Z</td><td>28</td><td>SEP 77</td><td></td></tr> </table>				A	20	28000-R		B	24	AUG 77		C	05	SEP 77		D	05	SEP 77		E	07	SEP 77		F	08	SEP 77		G	09	SEP 77		H	10	SEP 77		I	11	SEP 77		J	12	SEP 77		K	13	SEP 77		L	14	SEP 77		M	15	SEP 77		N	16	SEP 77		O	17	SEP 77		P	18	SEP 77		Q	19	SEP 77		R	20	SEP 77		S	21	SEP 77		T	22	SEP 77		U	23	SEP 77		V	24	SEP 77		W	25	SEP 77		X	26	SEP 77		Y	27	SEP 77		Z	28	SEP 77	
A	20	28000-R																																																																																																										
B	24	AUG 77																																																																																																										
C	05	SEP 77																																																																																																										
D	05	SEP 77																																																																																																										
E	07	SEP 77																																																																																																										
F	08	SEP 77																																																																																																										
G	09	SEP 77																																																																																																										
H	10	SEP 77																																																																																																										
I	11	SEP 77																																																																																																										
J	12	SEP 77																																																																																																										
K	13	SEP 77																																																																																																										
L	14	SEP 77																																																																																																										
M	15	SEP 77																																																																																																										
N	16	SEP 77																																																																																																										
O	17	SEP 77																																																																																																										
P	18	SEP 77																																																																																																										
Q	19	SEP 77																																																																																																										
R	20	SEP 77																																																																																																										
S	21	SEP 77																																																																																																										
T	22	SEP 77																																																																																																										
U	23	SEP 77																																																																																																										
V	24	SEP 77																																																																																																										
W	25	SEP 77																																																																																																										
X	26	SEP 77																																																																																																										
Y	27	SEP 77																																																																																																										
Z	28	SEP 77																																																																																																										



- NOTES-
- 1 - 6-32 UNC X .218 REF BINDING HEAD TERMINAL SCREW (3) FURNISHED UNASSEMBLED
  - 2 - SEAL RATING: NEMA 1 IP40

THIS DRAWING COVERS A PROPRIETARY ITEM AND IS THE PROPERTY OF MICRO SWITCH A DIVISION OF HONEYWELL. THIS DRAWING IS NOT TO BE COPIED OR USED WITHOUT THE APPROVAL OF MICRO SWITCH.

CHARACTERISTICS	ELECTRICAL DATA	SCALE FULL
OPERATING FORCE — 6-9 1/2 OZ	CONTACT ARRANGEMENT S P D T MAINTAINED CONTACT	DO NOT SCALE PRINT
OVERTRAVEL — .187 MN	15A-125, 250 OR 480 VAC	UNLESS OTHERWISE NOTED
RESET CHARACTERISTICS	1/4 HP-125 VAC; 1/2 HP-250 VAC	DIMENSIONS ARE IN INCHES
OPERATING FORCE — 8 OZ MIN	1/2A-125 VDC; 1/4A-250 VDC	<b>TOLERANCES ARE:</b>
BASIC SWITCH REPLACEMENT — BZ-RQX66	CODE L67	ONE PLACE (.01) ±.000
	1.5A, 240 Vac	TWO PLACE (.001) ±.010
		THREE PLACE (.000) ±.005
		ANGLES
		WEIGHT .60 LB