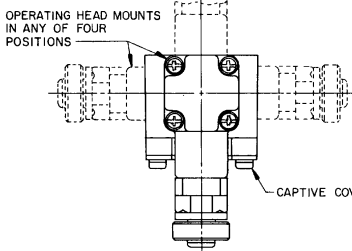
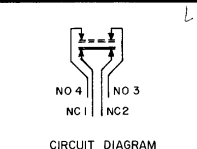


CHARACTERISTICS
*OPERATING TORQUE----- 1.7 IN-LB MAX
*FULL OVERTRAVEL TORQUE-2.3 IN-LB MAX
*RELEASE TORQUE----- .28 IN-LB MIN
PRETRAVEL----- 5° MAX
OVERTRAVEL----- 30° MIN
RELEASE TRAVEL----- 0°30 MIN
SWITCH-BASIC REPLACEMENT-- 2MN8

ELECTRICAL DATA
CONTACT ARRANGEMENT (SEE CIRCUIT DIAGRAM)
10A-120, 240, OR 480 VAC 1/4 HP-120 VAC, 1/2 HP-240 VAC PILOT DUTY 600 VAC MAX



CAPTIVE COVER SCREW (3)

.750±.030 DIA X .250 WIDE MOLYBDENUM DISULPHIDE FILLED NYLON ROLLER

1.5-4.0 ADJUSTABLE LENGTH

ROLLER LEVER MAY BE REVERSED

LEVER ADJUSTING SCREW WITH .141 REF HEX SOCKET (2)  $\Delta$

.578±.030

8-32 UNC PAN HEAD SCREW AND CLAMPING PRESSURE PLATE (4)

.192 MIN DIA MTG HOLE FOR NO. 10 SCREW (4)

.86

.594±.015

.19

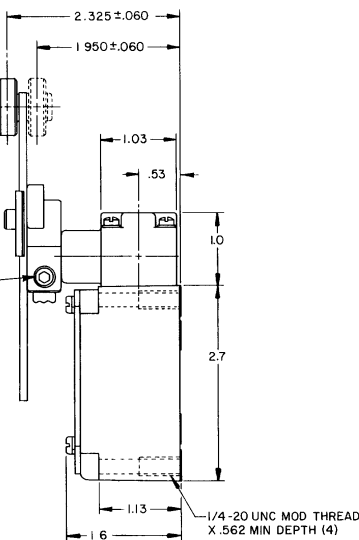
1.19

2.31

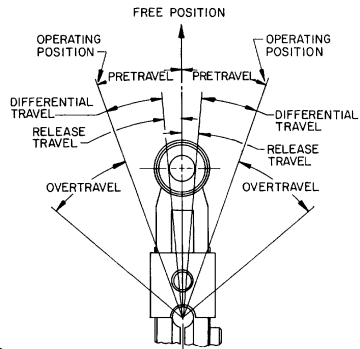
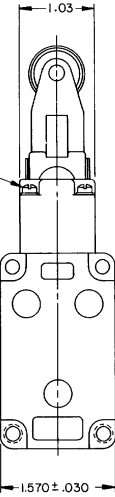
.5

1.0

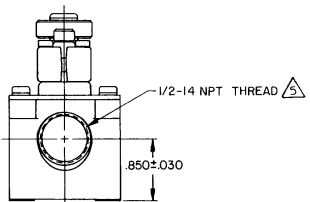
.19



CAPTIVE HEAD SCREW (4)



- NOTES
- 1 - SWITCH IS ASSEMBLED FOR ACTUATION IN BOTH DIRECTIONS BUT MAY BE ADJUSTED TO ACTUATE IN THE CLOCKWISE DIRECTION ONLY OR THE COUNTERCLOCKWISE DIRECTION ONLY
  - 2 - TO CONVERT SWITCH FOR ACTUATION IN EITHER THE CLOCKWISE OR COUNTERCLOCKWISE DIRECTION ONLY, REMOVE ACTUATOR HEAD AND ROTATE THE NOTCHED PLUNGER 90° TO THE RIGHT FOR CLOCKWISE ACTUATION OR 90° TO THE LEFT FOR COUNTERCLOCKWISE ACTUATION
- $\Delta$  ROLLER LEVER MAY BE LOCKED IN ANY POSITION THRU 360°  
 $\Delta$  LEVER FURNISHED UNASSEMBLED IN UNIT PACKING BOX  
 $\Delta$  SEAL TO BE FURNISHED BY USER



REVISIONS

NO.	DATE	DESCRIPTION
1	11-20-64	REVISED TO SHOW
2	10-20-64	REVISED TO SHOW
3	10-20-64	REVISED TO SHOW
4	10-20-64	REVISED TO SHOW

FD-578-2-C  
 TAD III DEC 86  
 ILS59

THIS DRAWING COVERS A PROPRIETARY ITEM AND IS THE PROPERTY OF MICRO SWITCH A DIVISION OF HONEYWELL. THIS DRAWING IS NOT TO BE COPIED OR USED WITHOUT THE APPROVAL OF MICRO SWITCH.		THIRD ANGLE PROJECTION
<b>MICRO SWITCH</b> a Honeywell Division		SCALE FULL
<b>SWITCH - ENCLOSED</b>		DO NOT SCALE PRINT
CATALOG LISTING <b>ILS59</b>		<b>UNLESS OTHERWISE SPECIFIED TOLERANCES ARE</b> ONE PLACE (.0) ±.030 TWO PLACE (.00) ±.015 THREE PLACE (.000) ±.005 ANGLES ° ±
FED. MFG. CODE 9123		WEIGHT