

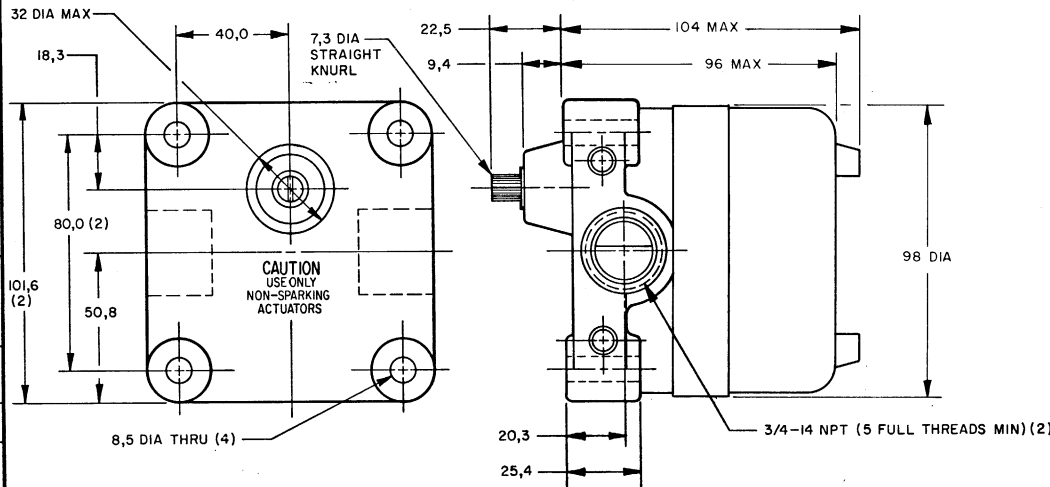
MICRO SWITCH
 FREEPORT ILLINOIS U.S.A.
 A DIVISION OF HONEYWELL
 FED. MFG. CODE 91929

SWITCH-ENCLOSED

CATALOG LISTING
12CX200

CONVERSION CHART

7,3	.29
7,92	.312
8,5	.33
9,4	.37
18,3	.72
20,3	.80
22,5	.89
25,4	1.00
32,0	1.26
40,0	1.57
50,8	2.00
80,0	3.15
96,0	3.78
98,0	3.86
101,6	4.00
104,0	4.09
0,50 Nm	.369 PF
1,13 Kg	2.49 LB



NOTES

- EXPLOSION PROOF-UNDERWRITERS LAB INC LISTING FOR HAZARDOUS LOCATIONS CLASS I, GROUPS C AND D; CLASS II, GROUPS E AND G
- ALUMINUM ENCLOSURE FINISHED WITH BLUE AND BLACK EPOXY PAINT
- 6-32 UNC X 7.92 REF PAN HEAD TERMINAL SCREW AND LOCKWASHER (SEMS TERMI-LOX) (3 PER BASIC)
- CAMS MAY BE REPOSITIONED IN 7°20' INCREMENTS FOR USE IN TEMPERATURES UP TO 85°C
- UNIT PROVIDES NO SHAFT RESTORING FORCE, THE ACTUATING DEVICE MUST CONTROL MOVEMENT OF SHAFT
- EACH BASIC SWITCH ACTUATES AT APPROX. SAME TIME PERIOD IN CW DIRECTION AND REMAINS ACTUATED FOR APPROX. 30°. AFTER THE 30° IS TRAVERSED SWITCH REMAINS UNACTUATED FOR DURATION OF 360°

CAT LIST	DESCRIPTION	ELECTRICAL DATA
12CX200	2 BASICS; OPERATES APPROX. SAME TIM PERIOD CLOCKWISE	UL LISTED - FILE E14274 50V-125, 250 OR 480 VAC; 10A-125 VAC "L" 1HP-125 VAC; 2HP-250 VAC CODE L23 1/2A-125 VDC; 1/4A-250 VDC

THIS DRAWING COVERS A PROPRIETARY ITEM AND IS THE PROPERTY OF MICRO SWITCH, A DIVISION OF HONEYWELL. THIS DRAWING IS NOT TO BE COPIED OR USED WITHOUT THE APPROVAL OF MICRO SWITCH.

THIRD ANGLE PROJECTION

SCALE 3/4 TO 1

DO NOT SCALE PRINT

TOLERANCES

APPLY TO DESIGN UNITS. CONVERSIONS ARE ONLY FOR REFERENCE UNLESS NOTED. TOLERANCES ARE:

NO PLACES	± .125	± .005	± .002
ONE PLACE	± .005	± .002	± .001
TWO PLACES	± .002	± .001	± .0005
THREE PLACES	± .001	± .0005	± .0002

DESIGN UNITS

MM METRIC UNITS CUSTOMARY

WWW.INTERNATIONAL-STANDARDS-ORG
 MICRO SWITCH STANDARDS APPLY

DIMENSIONS ARE TO BE MET BEFORE PROTECTIVE COATING IS APPLIED

WEIGHT 1.13 Kg APPROX

CHARACTERISTICS

OPERATING FORCE	0,50 Nm MAX	0,50 Nm MAX
DIFFERENTIAL TRAVEL		10° MAX
DEGREES ACTUATED		30° (APPROX)

CONTACT ARRANGEMENT
 S P D T
 (EACH BASIC)

M 12CX200
 ISSUE 3
 DRAWING NUMBER
 REVISIONS
 A 23 JUN 84
 B 16 JAN 84
 C 058369
 D 20 NOV 80
 DRAWN J A P 24 JUL 80
 CHECKED J A P 24 JUL 80
 APPROVED J A P 24 JUL 80
 RELEASE NO. PR-9191-T REPLACES