

MICRO SWITCH

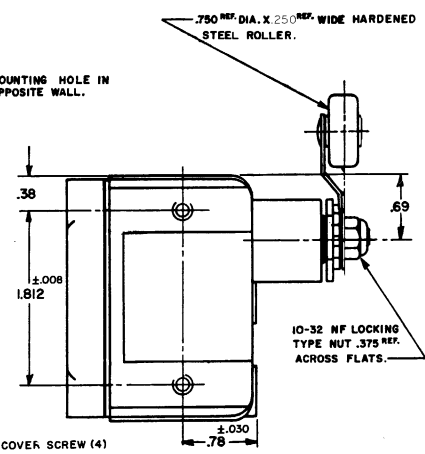
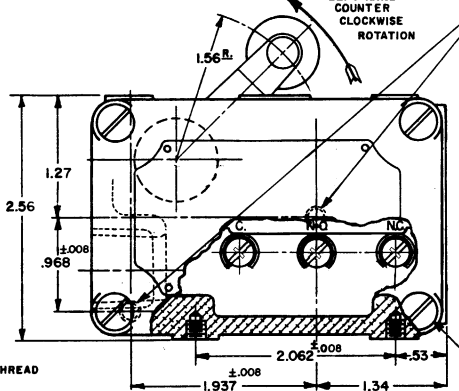
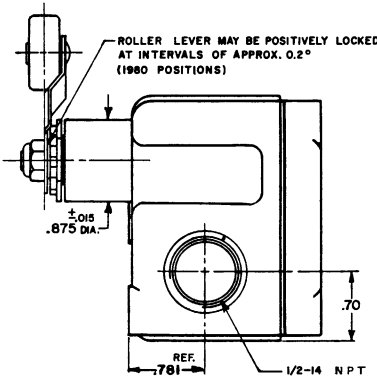
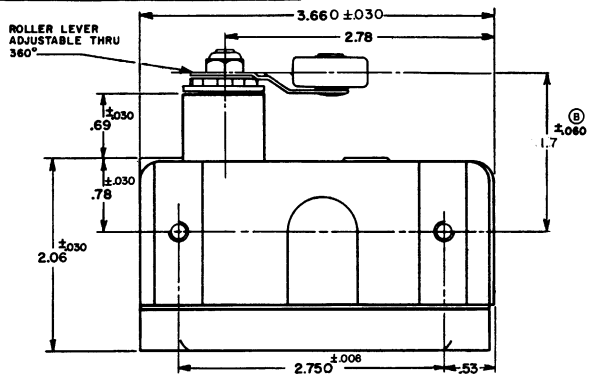
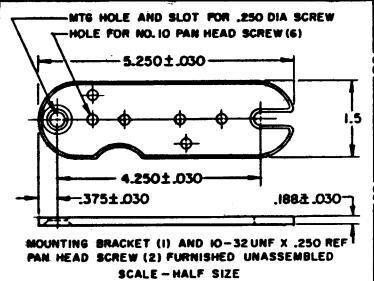
SWITCH-ENCLOSED

**CATALOG LISTING
OP-AR30**

THIS DRAWING COVERS A PROPRIETARY ITEM AND IS THE PROPERTY OF MICRO SWITCH, A DIVISION OF HONEYWELL. THIS DRAWING IS NOT TO BE COPIED OR USED WITHOUT THE APPROVAL OF MICRO SWITCH.

FED. MFR. CODE 91929

OP-AR30
 DRAWING NUMBER
 M
 ISSUE 10/15/83
 H. V. J. 17 SEPT 55
 CHECK A. C. G. 17 SEPT 55
 CHECK G. C. H. 12 SEPT 55
 R. G. C. 122, AUG. 55



REVISIONS
 A CO18182
 R. E. C.
 22 AUG 59
 B CO18184
 R. E. C.
 13 DEC 58
 C CO18227
 L. E. T.
 18 FEB 59
 D CO17453
 L. E. T.
 10 DEC 58
 E CO18276
 M. B. F.
 19 JUN 58
 F CO20404
 S. T. F.
 22 FEB 58
 G CO19878
 S. T. F.
 13 OCT 60
 H CO28103
 S. T. F.
 21 JUL 64
 J CO59987
 J. A. S.
 5 NOV 84
 K CO29531
 S. T. F.
 22 MAR 85
 L CO73344
 S. T. F.
 29 OCT 82
 R. G. C. 122, AUG. 55

CHARACTERISTICS	
OPERATING FORCE	2 1/2 LB. MAX.
PRETRAVEL	3 1/2° (.065 MAX.)
DIFFERENTIAL TRAVEL	1/4° (.007 MAX.)
OVERTRAVEL	DO NOT OVERTRAVEL MORE THAN 25°
BASIC SWITCH REPLACEMENT BZ-2R-P4	

ELECTRICAL DATA	
CONTACT ARRANGEMENT	S. P. D. T.
-L96- 15 A-125, 250, OR 480 VAC	
1/2 A-125 VDC; 1/4 A-250 VDC	
1/8 HP-125 VAC; 1/4 HP-250 VAC	

SCALE FULL	
DO NOT SCALE PRINT	
UNLESS OTHERWISE SPECIFIED	
DIMENSIONS ARE IN INCHES	
TOLERANCES ARE:	
ONE PLACE (.0)	±.030
TWO PLACE (.00)	±.018
THREE PLACE (.000)	±.009
ANGLES	2
WEIGHT	

- NOTES
- (8) MOUNTING SCREW HOLES, 10-32 JF-2B THREADS X .219 REF DEEP
 - 8-32 NC X .219 REF BINDER HEAD TERMINAL SCREWS AND CUPWASHERS
 - SEALED CONSTRUCTION PROVIDES SPLASH RESISTANCE

