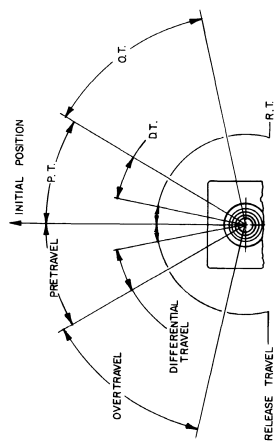
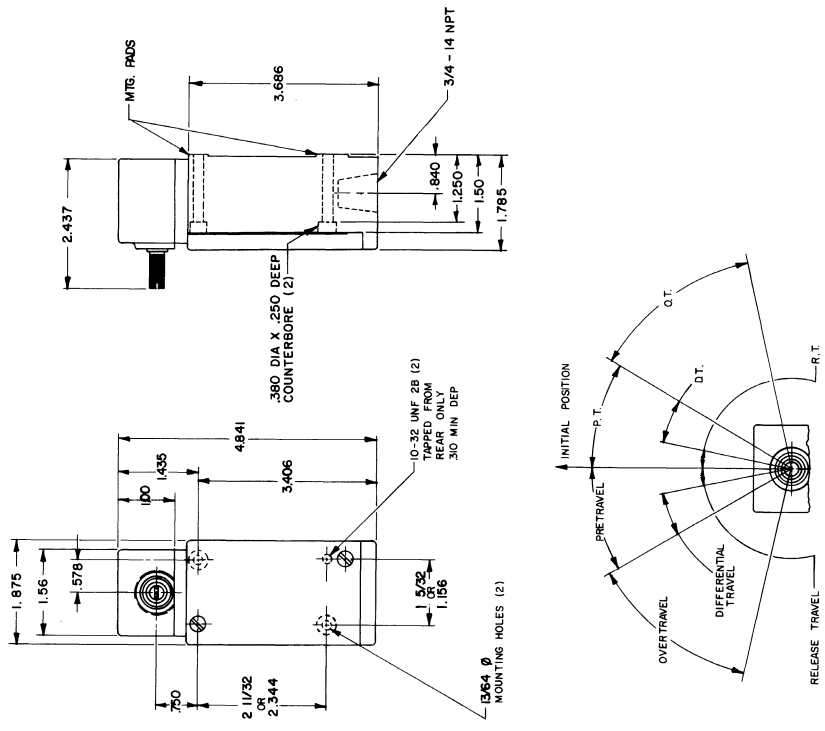


REVISIONS
A 1008599
B 1008600
C 1008601
D 1008602
E 1008603
F 1008604
G 1008605
H 1008606
I 1008607
J 1008608
K 1008609
L 1008610
M 1008611
N 1008612
O 1008613
P 1008614
Q 1008615
R 1008616
S 1008617
T 1008618
U 1008619
V 1008620
W 1008621
X 1008622
Y 1008623
Z 1008624
AA 1008625
AB 1008626
AC 1008627
AD 1008628
AE 1008629
AF 1008630
AG 1008631
AH 1008632
AI 1008633
AJ 1008634
AK 1008635
AL 1008636
AM 1008637
AN 1008638
AO 1008639
AP 1008640
AQ 1008641
AR 1008642
AS 1008643
AT 1008644
AU 1008645
AV 1008646
AW 1008647
AX 1008648
AY 1008649
AZ 1008650
BA 1008651
BB 1008652
BC 1008653
BD 1008654
BE 1008655
BF 1008656
BG 1008657
BH 1008658
BI 1008659
BJ 1008660
BK 1008661
BL 1008662
BM 1008663
BN 1008664
BO 1008665
BP 1008666
BQ 1008667
BR 1008668
BS 1008669
BT 1008670
BU 1008671
BV 1008672
BW 1008673
BX 1008674
BY 1008675
BZ 1008676
CA 1008677
CB 1008678
CC 1008679
CD 1008680
CE 1008681
CF 1008682
CG 1008683
CH 1008684
CI 1008685
CJ 1008686
CK 1008687
CL 1008688
CM 1008689
CN 1008690
CO 1008691
CP 1008692
CQ 1008693
CR 1008694
CS 1008695
CT 1008696
CU 1008697
CV 1008698
CW 1008699
CX 1008700
CY 1008701
CZ 1008702
DA 1008703
DB 1008704
DC 1008705
DD 1008706
DE 1008707
DF 1008708
DG 1008709
DH 1008710
DI 1008711
DJ 1008712
DK 1008713
DL 1008714
DM 1008715
DN 1008716
DO 1008717
DP 1008718
DQ 1008719
DR 1008720
DS 1008721
DT 1008722
DU 1008723
DV 1008724
DW 1008725
DX 1008726
DY 1008727
DZ 1008728
EA 1008729
EB 1008730
EC 1008731
ED 1008732
EE 1008733
EF 1008734
EG 1008735
EH 1008736
EI 1008737
EJ 1008738
EK 1008739
EL 1008740
EM 1008741
EN 1008742
EO 1008743
EP 1008744
EQ 1008745
ER 1008746
ES 1008747
ET 1008748
EU 1008749
EV 1008750
EW 1008751
EX 1008752
EY 1008753
EZ 1008754
FA 1008755
FB 1008756
FC 1008757
FD 1008758
FE 1008759
FF 1008760
FG 1008761
FH 1008762
FI 1008763
FJ 1008764
FK 1008765
FL 1008766
FM 1008767
FN 1008768
FO 1008769
FP 1008770
FQ 1008771
FR 1008772
FS 1008773
FT 1008774
FU 1008775
FV 1008776
FW 1008777
FX 1008778
FY 1008779
FZ 1008780
GA 1008781
GB 1008782
GC 1008783
GD 1008784
GE 1008785
GF 1008786
GG 1008787
GH 1008788
GI 1008789
GJ 1008790
GK 1008791
GL 1008792
GM 1008793
GN 1008794
GO 1008795
GP 1008796
GQ 1008797
GR 1008798
GS 1008799
GT 1008800
GU 1008801
GV 1008802
GW 1008803
GX 1008804
GY 1008805
GZ 1008806
HA 1008807
HB 1008808
HC 1008809
HD 1008810
HE 1008811
HF 1008812
HG 1008813
HH 1008814
HI 1008815
HJ 1008816
HK 1008817
HL 1008818
HM 1008819
HN 1008820
HO 1008821
HP 1008822
HQ 1008823
HR 1008824
HS 1008825
HT 1008826
HU 1008827
HV 1008828
HW 1008829
HX 1008830
HY 1008831
HZ 1008832
IA 1008833
IB 1008834
IC 1008835
ID 1008836
IE 1008837
IF 1008838
IG 1008839
IH 1008840
II 1008841
IJ 1008842
IK 1008843
IL 1008844
IM 1008845
IN 1008846
IO 1008847
IP 1008848
IQ 1008849
IR 1008850
IS 1008851
IT 1008852
IU 1008853
IV 1008854
IW 1008855
IX 1008856
IY 1008857
IZ 1008858
JA 1008859
JB 1008860
JC 1008861
JD 1008862
JE 1008863
JF 1008864
JG 1008865
JH 1008866
JI 1008867
JJ 1008868
JK 1008869
JL 1008870
JM 1008871
JN 1008872
JO 1008873
JP 1008874
JQ 1008875
JR 1008876
JS 1008877
JT 1008878
JU 1008879
JV 1008880
JW 1008881
JX 1008882
JY 1008883
JZ 1008884
KA 1008885
KB 1008886
KC 1008887
KD 1008888
KE 1008889
KF 1008890
KG 1008891
KH 1008892
KI 1008893
KJ 1008894
KK 1008895
KL 1008896
KM 1008897
KN 1008898
KO 1008899
KP 1008900
KQ 1008901
KR 1008902
KS 1008903
KT 1008904
KU 1008905
KV 1008906
KW 1008907
KX 1008908
KY 1008909
KZ 1008910
LA 1008911
LB 1008912
LC 1008913
LD 1008914
LE 1008915
LF 1008916
LG 1008917
LH 1008918
LI 1008919
LJ 1008920
LK 1008921
LL 1008922
LM 1008923
LN 1008924
LO 1008925
LP 1008926
LQ 1008927
LR 1008928
LS 1008929
LT 1008930
LU 1008931
LV 1008932
LW 1008933
LX 1008934
LY 1008935
LZ 1008936
MA 1008937
MB 1008938
MC 1008939
MD 1008940
ME 1008941
MF 1008942
MG 1008943
MH 1008944
MI 1008945
MJ 1008946
MK 1008947
ML 1008948
MM 1008949
MN 1008950
MO 1008951
MP 1008952
MQ 1008953
MR 1008954
MS 1008955
MT 1008956
MU 1008957
MV 1008958
MW 1008959
MX 1008960
MY 1008961
MZ 1008962
NA 1008963
NB 1008964
NC 1008965
ND 1008966
NE 1008967
NF 1008968
NG 1008969
NH 1008970
NI 1008971
NJ 1008972
NK 1008973
NL 1008974
NM 1008975
NO 1008976
NP 1008977
NQ 1008978
NR 1008979
NS 1008980
NT 1008981
NU 1008982
NV 1008983
NW 1008984
NX 1008985
NY 1008986
NZ 1008987
OA 1008988
OB 1008989
OC 1008990
OD 1008991
OE 1008992
OF 1008993
OG 1008994
OH 1008995
OI 1008996
OJ 1008997
OK 1008998
OL 1008999
OM 1009000

**SINGLE POLE AND DOUBLE POLE (NON PLUG IN)**  
**SIDE ROTARY**



OPERATING CHARACTERISTICS	LS2A MOMENTARY	LS2N CENTER NEUTRAL DOUBLE POLE ONLY	LS2N MAINTAINED	LS2H NON-REVERSE LOW PRETRAVEL & LOW TORQUE	LS2L SEQUENCE DOUBLE POLE ONLY
PRETRAVEL (MAX)	15°	18°	65°	9°	1ST STEP 15°-2 NO STEP 10° ADD'L
OVERTRAVEL (MIN)	60°	57°	20°	66°	48°
DIFFERENTIAL TRAVEL (MAX)	Single Pole 5° Double Pole 7°	10°	40°	Single Pole 3° Double Pole 4°	5°
TOTAL TRAVEL (REF)	75°	75°	90°	75°	75°
OPERATING TORQUE (MAX)	4 IN. LBS	4 IN. LBS	4 IN. LBS	1.7 IN. LBS	4 IN. LBS
FULL TRAVEL TORQUE (MAX)	4 IN. LBS	4 IN. LBS	N/A	1.7 IN. LBS	4 IN. LBS

MASTER REDUCED

THIS DRAWING COVERS A PROPRIETARY ITEM AND IS THE PROPERTY OF MICRO SWITCH, A DIVISION OF HONEYWELL. THIS DRAWING IS NOT TO BE COPIED OR USED WITHOUT THE APPROVAL OF MICRO SWITCH.

**MICRO SWITCH**  
 FREEPORT, ILLINOIS, U.S.A.  
 A DIVISION OF HONEYWELL  
 FED. REG. CODE 5122

SWITCH - ENCLOSED

CATALOG LISTING  
**LS2 SERIES**  
 CHART 1

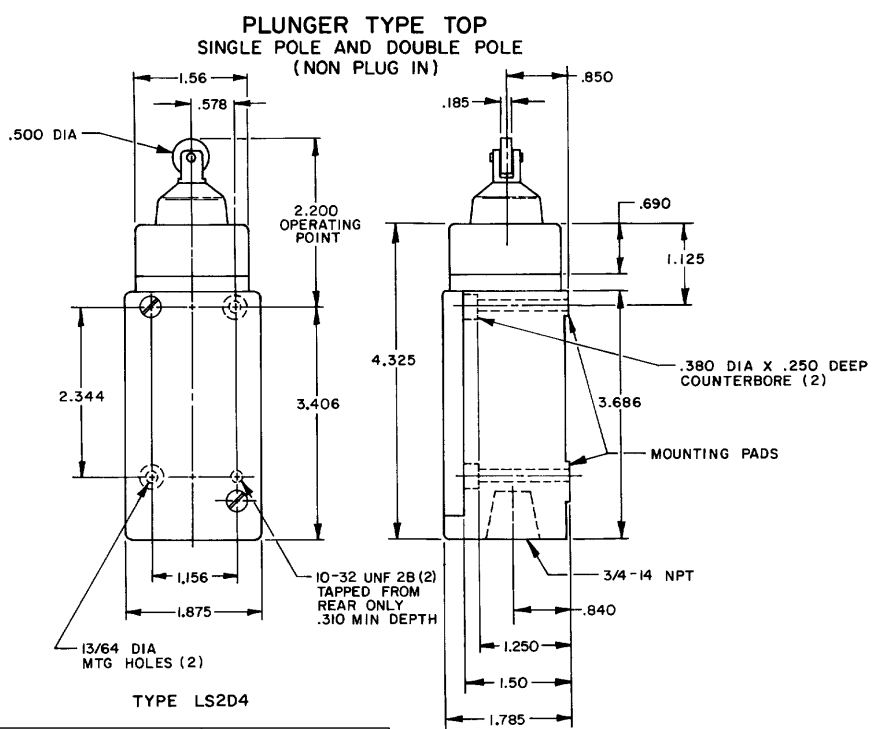
THIRD ANGLE PROJECTION  
 SCALE NONE  
 DO NOT SCALE PRINT

L52 SERIES  
 CATALOG LISTING  
 LS2 SERIES  
 CHART 1  
 ISSUE 7  
 PAGE 2 OF 4  
 RELEASE NO. CO-78498  
 REPLACES  
 REVISIONS  
 A 82000  
 B 13 NOV 95  
 C 13227  
 D 204630  
 E 206344  
 F 0002358  
 J A K 13 NOV 95  
 RASTER  
 DRAWN  
 J A K 13 NOV 95  
 CHECKED  
 J A F 17 NOV 95  
 CHECKED

**MICRO SWITCH**  
 a Honeywell Division  
FED. MFG. CODE 91628

**SWITCH - ENCLOSED**

CATALOG LISTING  
**LS2 SERIES**  
**CHART 1**



**NOTE**  
 1 OPERATING POINT GIVEN IN RELATION TO TOP MOUNTING HOLE  
 2 NOT APPLICABLE FOR 3N (DIRECT ACTING BASIC)

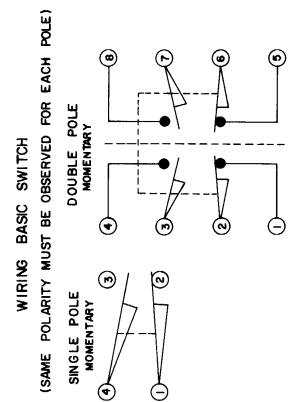
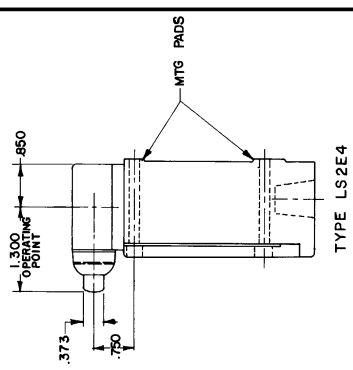
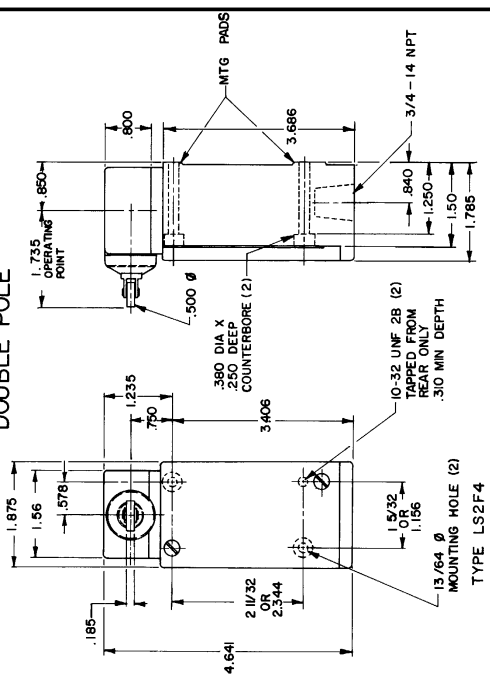
<small>THIS DRAWING COVERS A PROPRIETARY ITEM AND IS THE PROPERTY OF MICRO SWITCH, A DIVISION OF HONEYWELL. THIS DRAWING IS NOT TO BE COPIED OR USED WITHOUT THE APPROVAL OF MICRO SWITCH.</small>		<small>THIRD ANGLE PROJECTION</small> 
<b>CHARACTERISTICS</b> OPERATING FORCE ----- 4 LBS MAX OPERATING POINT ----- 2.200±.040 FULL OVERTRAVEL FORCE --- 7 LBS MAX PRETRAVEL ----- .070 MAX DIFFERENTIAL TRAVEL --- S.P. -.015 MAX D.P. -.020 MAX OVERTRAVEL ----- .190 MIN	<b>ELECTRICAL DATA</b> CONTACT ARRANGEMENT	SCALE NONE DO NOT SCALE PRINT UNLESS OTHERWISE SPECIFIED TOLERANCES ARE ONE PLACE (.0) ±.030 TWO PLACE (.00) ±.015 THREE PLACE (.000) ±.005 ANGLES ± WEIGHT

REV. NO.	DATE	BY	CHKD.
A	0039793		
B	0040188		
C	0046830		
D	0050372		
E	0053844		
F	0055000		
G	0062358		
H	0063000		
I	0063000		
J	0063000		
K	0063000		
L	0063000		
M	0063000		
N	0063000		
O	0063000		
P	0063000		
Q	0063000		
R	0063000		
S	0063000		
T	0063000		
U	0063000		
V	0063000		
W	0063000		
X	0063000		
Y	0063000		
Z	0063000		

DESIGNER	DATE	BY	CHKD.
RASTER	14 JUL 54	JAF	Aug 54
KEU			
REVISION	DATE	BY	CHKD.
A	0039793		
B	0040188		
C	0046830		
D	0050372		
E	0053844		
F	0055000		
G	0062358		
H	0063000		
I	0063000		
J	0063000		
K	0063000		
L	0063000		
M	0063000		
N	0063000		
O	0063000		
P	0063000		
Q	0063000		
R	0063000		
S	0063000		
T	0063000		
U	0063000		
V	0063000		
W	0063000		
X	0063000		
Y	0063000		
Z	0063000		

# SIDE PLUNGER

## SINGLE POLE (NON PLUG IN) AND DOUBLE POLE



WIRING BASIC SWITCH (SAME POLARITY MUST BE OBSERVED FOR EACH POLE)

10 AMP CONT.

A.C. VOLTAGE	AMPS AT .35 POWER FACTOR			
	SINGLE POLE MAKE	SINGLE POLE BREAK	DOUBLE POLE MAKE	DOUBLE POLE BREAK
120	60	6	30	3
240	30	3	15	1.5
480	15	1.5	7.5	.75
600	12	1.2	6	.6

SEE SIDE VIEW FOR OPERATING POINTS

CHARACTERISTICS	
PRETRAVEL (MAX)	.100
DIFFERENTIAL TRAVEL (MAX)	.045
OVERTRAVEL (MIN)	.120
OPERATING FORCE (MAX)	6 LBS
FULL OVERTRAVEL FORCE (MAX)	6 LBS

### ELECTRICAL RATINGS

D.C. VOLTAGE	MAKE & BREAK	
	INDUCTIVE	RESISTIVE
120	0.25	0.80
240	0.15	0.40

MASTER REDUCED

THIS DRAWING COVERS A PROPRIETARY ITEM AND IS THE PROPERTY OF MICRO SWITCH, A DIVISION OF HONEYWELL. THIS DRAWING IS NOT TO BE COPIED OR USED WITHOUT THE APPROVAL OF MICRO SWITCH.

**MICRO SWITCH**  
 1400 SOUTH ILLINOIS STREET  
 A DIVISION OF HONEYWELL  
 P.O. BOX 6008 MILWAUKEE, WIS. 53218

SWITCH - ENCLOSED

CATALOG LISTING  
**LS2 SERIES**  
 CHART 1

THIRD ANGLE PROJECTION

SCALE **NONE**

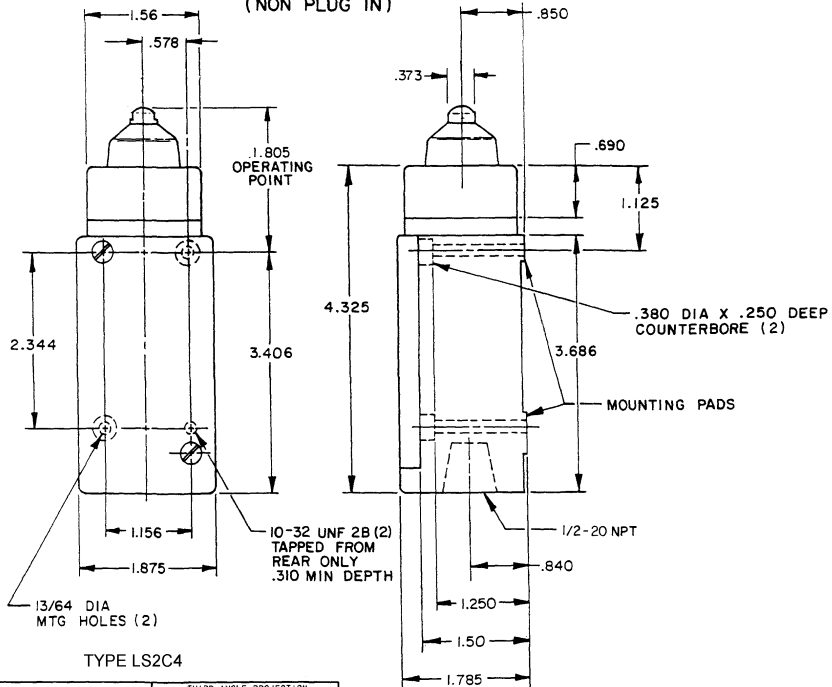
DO NOT SCALE PRINT

**MICRO SWITCH**  
a Honeywell Division  
FED. MFG. CODE 61929

SWITCH - ENCLOSED

CATALOG LISTING  
**LS2 SERIES**  
CHART I

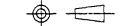
**PLUNGER TYPE TOP (PLAIN)**  
SINGLE POLE AND DOUBLE POLE  
(NON PLUG IN)



TYPE LS2C4

THIS DRAWING COVERS A PROPRIETARY ITEM AND IS THE PROPERTY OF MICRO SWITCH, A DIVISION OF HONEYWELL. THIS DRAWING IS NOT TO BE COPIED OR USED WITHOUT THE APPROVAL OF MICRO SWITCH

THIRD ANGLE PROJECTION



**CHARACTERISTICS**

OPERATING FORCE	4 LBS MAX
DIFFERENTIAL FORCE	1.805 ± .040
RELEASE FORCE	7 LBS MAX
PRETRAVEL	-.070 MAX
DIFFERENTIAL TRAVEL	S.P. -.015 MAX D.P. -.020 MAX
OVERTRAVEL	-.190 MIN

**ELECTRICAL DATA**

CONTACT ARRANGEMENT

SCALE NONE

DO NOT SCALE PRINT

UNLESS OTHERWISE SPECIFIED TOLERANCES ARE

ONE PLACE	(.01) ± .030
TWO PLACE	(.00) ± .015
THREE PLACE	(.000) ± .005
ANGLES	±
WEIGHT	

NOTE  
△ OPERATING POINT GIVEN IN RELATION TO TOP MOUNTING HOLE

CATALOG LISTING  
**LS2 SERIES**  
CHART I  
ISSUE 7  
PAGE 4 OF 4  
RELEASE NO. PR-20972  
REPLACES  
CHECK  
REVISIONS  
A 18 MAR 94  
B 093789  
C 204630  
D 206344  
E 0902358  
K E U 13 JUN 94  
DRAWN  
MASTER