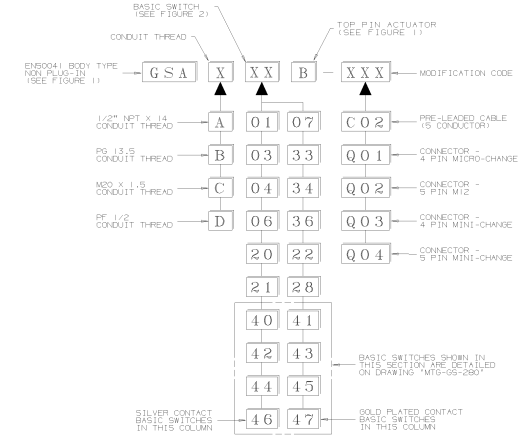
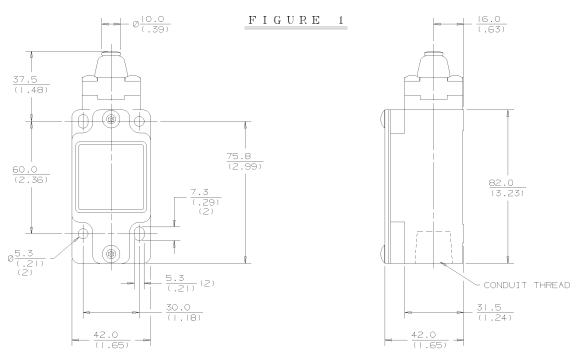


MTG-GS-252  
 ISSUE 2  
 REVISIONS  
 21 CO-703  
 22 (1/28)

HOMERWELL GLOBAL SAFETY SWITCH MTG-GS-252  
 CATALOGUE LISTING CHART NO.

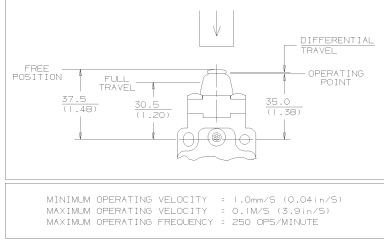


1/2" NPT x 14 CONDUIT THREAD	A	01	07	C02	PRE-LEADED CABLE (5 CONDUCTOR)
PG 13.5 CONDUIT THREAD	B	03	33	Q01	CONNECTOR - 4 PIN MICRO-CHANGE
MED X 1.8 CONDUIT THREAD	C	04	34	Q02	CONNECTOR - 5 PIN M12
PF 1/2 CONDUIT THREAD	D	06	36	Q03	CONNECTOR - 4 PIN MINI-CHANGE
		20	22	Q04	CONNECTOR - 5 PIN MINI-CHANGE
		21	28		
		40	41		
		42	43		
		44	45		
		46	47		

BASIC SWITCHES SHOWN IN THIS SECTION ARE DETAILED ON DRAWING "MTG-GS-280"  
 SILVER CONTACT BASIC SWITCHES IN THIS COLUMN      GOLD PLATED CONTACT BASIC SWITCHES IN THIS COLUMN

IEC 947-5-1 ELECTRICAL RATING				GOLD PLATED CONTACTS		ENVIRONMENTAL		APPROVALS																																			
SILVER CONTACTS				I <sub>th</sub> = 10A		IP67 NEMA/UL 1, 4, 12, 13																																					
<table border="1"> <tr> <th>AC</th> <th>AC15</th> <th>AC50</th> <th>AC15</th> <th>DC</th> <th>DC1.3</th> </tr> <tr> <td>U<sub>e</sub></td> <td>U<sub>e</sub></td> <td>U<sub>e</sub></td> <td>U<sub>e</sub></td> <td>U<sub>e</sub></td> <td>U<sub>e</sub></td> </tr> <tr> <td>120</td> <td>120</td> <td>120</td> <td>120</td> <td>24</td> <td>2.8</td> </tr> <tr> <td>240</td> <td>240</td> <td>240</td> <td>240</td> <td>120</td> <td>0.35</td> </tr> <tr> <td>380</td> <td>380</td> <td>380</td> <td>380</td> <td>250</td> <td>0.27</td> </tr> <tr> <td>500</td> <td>500</td> <td>500</td> <td>500</td> <td></td> <td></td> </tr> </table>				AC	AC15	AC50	AC15		DC	DC1.3	U <sub>e</sub>	U <sub>e</sub>	U <sub>e</sub>	U <sub>e</sub>	U <sub>e</sub>	U <sub>e</sub>	120	120	120	120	24	2.8	240	240	240	240	120	0.35	380	380	380	380	250	0.27	500	500	500	500			1V 10mA MIN.		TEMP RANGE : -25° C TO 85° C -13° F TO 185° F STORAGE : -40° C TO 85° C -40° F TO 185° F
AC	AC15	AC50	AC15	DC	DC1.3																																						
U <sub>e</sub>	U <sub>e</sub>	U <sub>e</sub>	U <sub>e</sub>	U <sub>e</sub>	U <sub>e</sub>																																						
120	120	120	120	24	2.8																																						
240	240	240	240	120	0.35																																						
380	380	380	380	250	0.27																																						
500	500	500	500																																								
<table border="1"> <tr> <th>VOLTS</th> <th>AMPS</th> <th>VOLTS</th> <th>AMPS</th> <th>VOLTS</th> <th>AMPS</th> </tr> <tr> <td>120</td> <td>6</td> <td>120</td> <td>6</td> <td>24</td> <td>2.8</td> </tr> <tr> <td>240</td> <td>3</td> <td>240</td> <td>3</td> <td>120</td> <td>0.35</td> </tr> <tr> <td>380</td> <td>1.5</td> <td>380</td> <td>1.5</td> <td>250</td> <td>0.27</td> </tr> <tr> <td>500</td> <td>1.2</td> <td>500</td> <td>1.2</td> <td></td> <td></td> </tr> </table>				VOLTS	AMPS	VOLTS	AMPS	VOLTS	AMPS	120	6	120	6	24	2.8	240	3	240	3	120	0.35	380	1.5	380	1.5	250	0.27	500	1.2	500	1.2			50V 100mA MAX.		SHOCK : 50G PER IEC 68-2-27 VIBRATION : 10G PER IEC 68-2-6							
VOLTS	AMPS	VOLTS	AMPS	VOLTS	AMPS																																						
120	6	120	6	24	2.8																																						
240	3	240	3	120	0.35																																						
380	1.5	380	1.5	250	0.27																																						
500	1.2	500	1.2																																								
IEC 947-5-1 EN50041 APPROVALS				SCALE: + 1/1 DIMENSIONS ARE IN (INCHES)		MODIFY ON CAD SYSTEM ONLY																																					

- NOTES:-
- RED EPOXY PAINT FINISHED ZINC DIE-CAST BODY AND STEEL COVER, BLACK EPOXY PAINT FINISHED ZINC DIE-CAST HEAD.
  - FREE POSITION (IF P.), OPERATING POINT, OVERTRAVEL (O.T.) AND PRETRAVEL ALL TO EN50041.
  - ANY STANDARD LISTING WITH SUFFIX 'RS' OR 'FE' IS PERMITTED.
  - FOR CONNECTION DIAGRAMS AND ADDITIONAL ELECTRICAL, DIMENSIONAL AND ENVIRONMENTAL INFORMATION REFER TO DRAWING Q1-45212.
  - HEAD AND COVER FIXED WITH TORX® SOCKET HEAD SCREWS (DRIVER SUPPLIED).



MINIMUM OPERATING VELOCITY : 1.0m/s (0.041m/s)  
 MAXIMUM OPERATING VELOCITY : 0.1M/S (3.91m/s)  
 MAXIMUM OPERATING FREQUENCY : 250 OPS/MINUTE

NO CHANGES CAN BE MADE TO THIS DRAWING WITHOUT JOINT NEWHOUSE/FREEPORT APPROVAL