

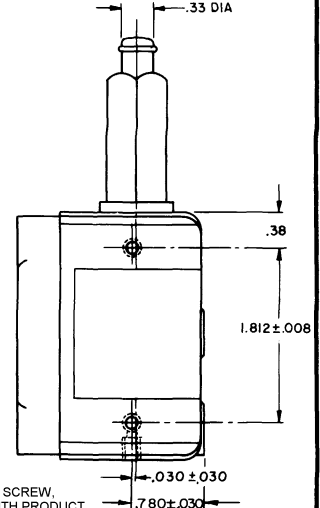
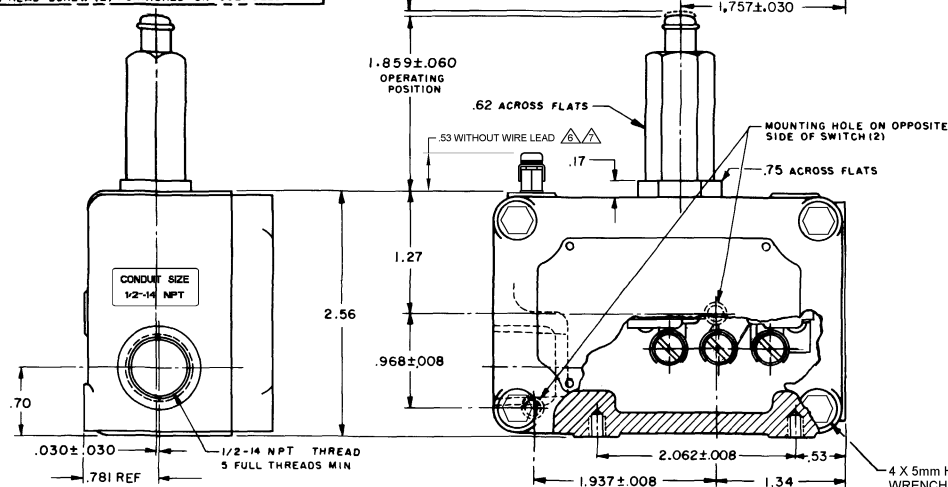
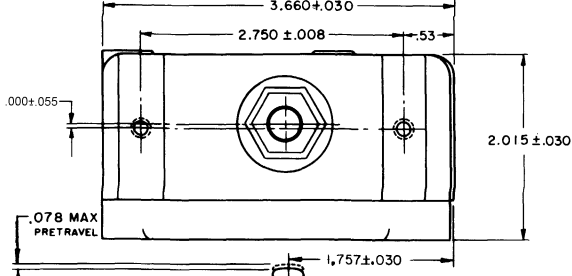
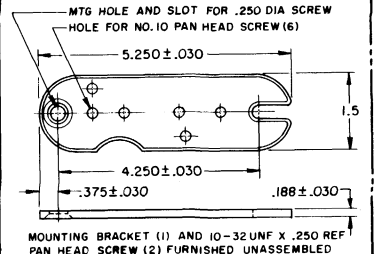
EX-Q
 M
 ISSUE 27
 04/JUN/09
 CMH
 04/JUN/09

REVISIONS:
 A CO19876 27 OCT 66
 B CO28103 12 JUL 68
 C CO-30555 27 APR 69
 D 10/21/73
 E 26 AUG 83
 F 10/21/83
 G 22 APR 87
 H 02/15/88
 I 0012750 27 OCT 88
 J 06MAY05
 K 0052827 27 OCT 88
 L 04/JUN/09

MICRO SWITCH

SWITCH-ENCLOSED

EX-Q



THIS DRAWING COVERS A PROPRIETARY ITEM AND IS THE PROPERTY OF MICRO SWITCH, A DIVISION OF MINNEAPOLIS-MONEYWELL REGULATOR CO. THIS DRAWING IS NOT TO BE COPIED OR USED WITHOUT THE APPROVAL OF MICRO SWITCH.

CHARACTERISTICS	ELECTRICAL DATA	SCALE FULL
OPERATING FORCE --- 3 LB MAX	CONTACT ARRANGEMENT S P D T	DO NOT SCALE PRINT
RELEASE FORCE --- 3/4 LB MIN	-L96- 15A-125, 250, OR 480 VAC	UNLESS OTHERWISE SPECIFIED
DIFFERENTIAL TRAVEL --- .004 MAX	1/2 A-125 VDC; 1/4 A-250 VDC	DIMENSIONS ARE IN INCHES
OVERTRAVEL --- .188 MIN	1/8 HP-125 VAC; 1/4 HP-250 VAC	TOLERANCES ARE:
SWITCH-BASIC REPLACEMENT-B2-2R-P4		ONE PLACE (.0) 2.030
		TWO PLACE (.00) 2.018
		THREE PLACE (.000) 2.008
		ANGLES 2
		WEIGHT

UL Ex

NOTE

- 1 - MOUNTING SCREW HOLE 10-32 UNF THREAD X .219 REF DEEP (6)
- 2 - 8-32 UNC X .219 REF TERMINAL SCREWS AND CUP WASHERS
- 3 - EXPLOSION PROOF - UNDERWRITER'S LAB INC. LISTED RATING FOR HAZARDOUS LOCATIONS NEMA 7, CLASS I, GROUPS C AND D, NEMA 9, CLASS II, GROUPS E, F AND G
- 4 - EUROPEAN HAZARDOUS LOCATIONS DESIGNATION: Ex d IIB + H2 T6 CATEGORY II 2 G
- 5 - SEAL RATING: NEMA 1

△ EXTERNAL GROUND SCREW MAY BE ASSEMBLED TO ANY UNUSED MOUNTING SCREW HOLE
 △ ASSEMBLY PROVIDED SPLIT LOCKWASHER BETWEEN GROUND LUG AND HOUSING

RASTER