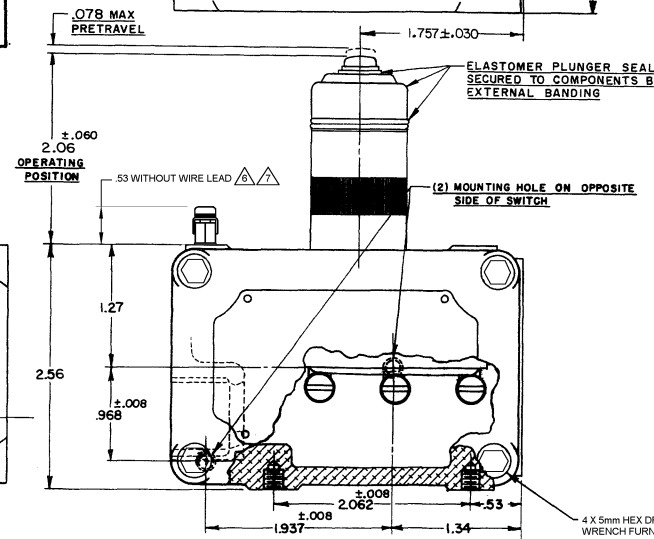
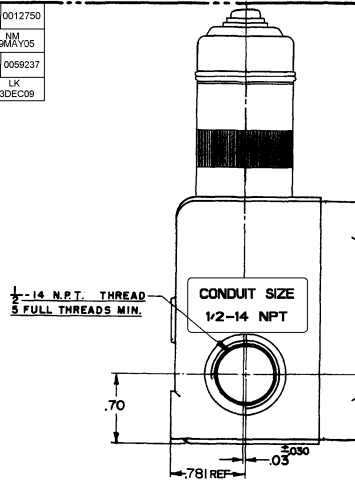
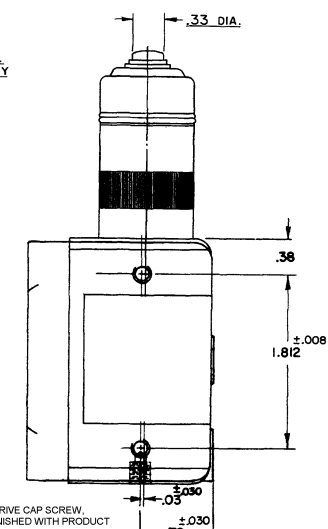
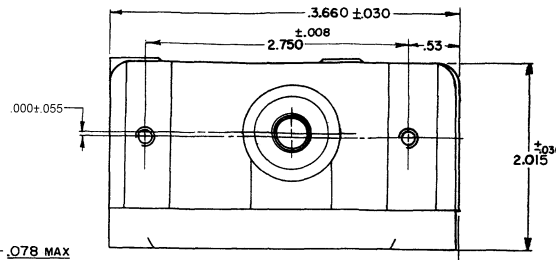
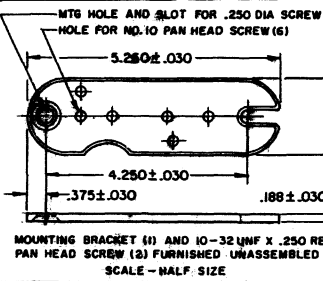


**MICRO SWITCH**

**SWITCH-ENCLOSED**

**CATALOG LISTING  
EX-N15**

THIS DRAWING COVERS A PROPRIETARY ITEM AND IS THE PROPERTY OF MICRO SWITCH, A DIVISION OF HONEYWELL. THIS DRAWING IS NOT TO BE COPIED OR USED WITHOUT THE APPROVAL OF MICRO SWITCH.



**EX-N15**  
 MOUNTING BRACKET (1) AND 10-32 UNF X .250 REF PAN HEAD SCREW (2) FURNISHED UNASSEMBLED  
 SCALE - HALF SIZE  
 L 0012750  
 NM 09MAY05  
 M 0059237  
 LK 03DEC09  
 REVISIONS  
 A CO 18276  
 H B F 18 JUNE 64  
 B CO 19478  
 W B F 28 OCT 66  
 C CO 20103  
 D CO 36559  
 B E N  
 C O 53779 A  
 F CO 48258  
 B NOV 85  
 G CO 61381  
 D A V  
 22 APR 87  
 H CO 71415  
 28 NOV 91  
 J CO 73219  
 MAM  
 30 SEP 92  
 K CO 77354  
 L L A  
 16 AUG 94  
 RASTER  
 M-943  
 DRAWN  
 OMW 10 FEB 99 CHECKED CEN 10 FEB 99

CHARACTERISTICS	
OPERATING FORCE	3 LB MAX
RELEASE FORCE	3/4 LB MIN
DIFFERENTIAL TRAVEL	.004 MAX
OVERTRAVEL	.188 MIN
SWITCH-BASIC REPLACEMENT - BZ-2R15-P4	

ELECTRICAL DATA	
CONTACT ARRANGEMENT	SPDT
L9-	10 A-125, 250, OR 480 VAC 1/2 A-125 VDC; 1/4 A-250 VDC

SCALE - FULL	
DO NOT SCALE PRINT	
UNLESS OTHERWISE SPECIFIED	
DIMENSIONS ARE IN INCHES	
TOLERANCES ARE:	
ONE PLACE (.0)	±.030
TWO PLACE (.00)	±.015
THREE PLACE (.000)	±.008
ANGLES	±
WEIGHT	

**NOTE:**

- EXPLOSION PROOF - UNDERWRITERS' LAB INC LISTED FOR HAZARDOUS NEMA 7, LOCATIONS CLASS I, GROUPS C AND D, NEMA 9, CLASS II, GROUPS E, F AND G.
- (8) MOUNTING SCREW HOLE, 10-32 NF-29 THREAD X 2 1/8" DEEP.
- 10-32 NC X 2 1/8" TERMINAL SCREWS AND CUPWASHERS.
- EUROPEAN HAZARDOUS LOCATIONS DESIGNATION EX IIIB + H2 TO CATEGORY II 2 G.
- SEAL RATING: NEMA 1
- EXTERNAL GROUND SCREW MAY BE ASSEMBLED TO ANY UNUSED MOUNTING SCREW HOLE
- ASSEMBLE PROVIDED SPLIT LOCKWASHER BETWEEN GROUND LUG AND HOUSING

THIS DRAWING COVERS A PROPRIETARY ITEM AND IS THE PROPERTY OF MICRO SWITCH, A DIVISION OF MINNEAPOLIS-HONEYWELL REGULATOR CO. THIS DRAWING IS NOT TO BE COPIED OR USED WITHOUT THE APPROVAL OF MICRO SWITCH.