

MICRO SWITCH

A DIVISION OF MINNEAPOLIS-HONEYWELL REGULATOR COMPANY
MINNEAPOLIS, MINNESOTA
FED. MFR. CODE 91929

SWITCH - ENCLOSED

CATALOG LISTING

DTF2-2RN-RH

(M) DTF2-2RN
ISSUE 4

DTF2-2RN-RH

M

DRAWING NUMBER

12

ISSUE

8

BP

14FEB06

CHECK

REVISIONS

A CO 9800

OMW 27 FEB 59

B CO 46992-C

CJH 9 OCT 80

C CO 51000-C

CJH 18 OCT 83

D CO 54997-W

DJS 22 FEB 86

E CO 071134

TSM 27 SEP 91

F CO 072788

GJW 12 SEP 92

G CO 77179-C

JJO 12 MAR 94

H 0018962

VKR 14FEB06

CHECK

OMW 27 FEB 59

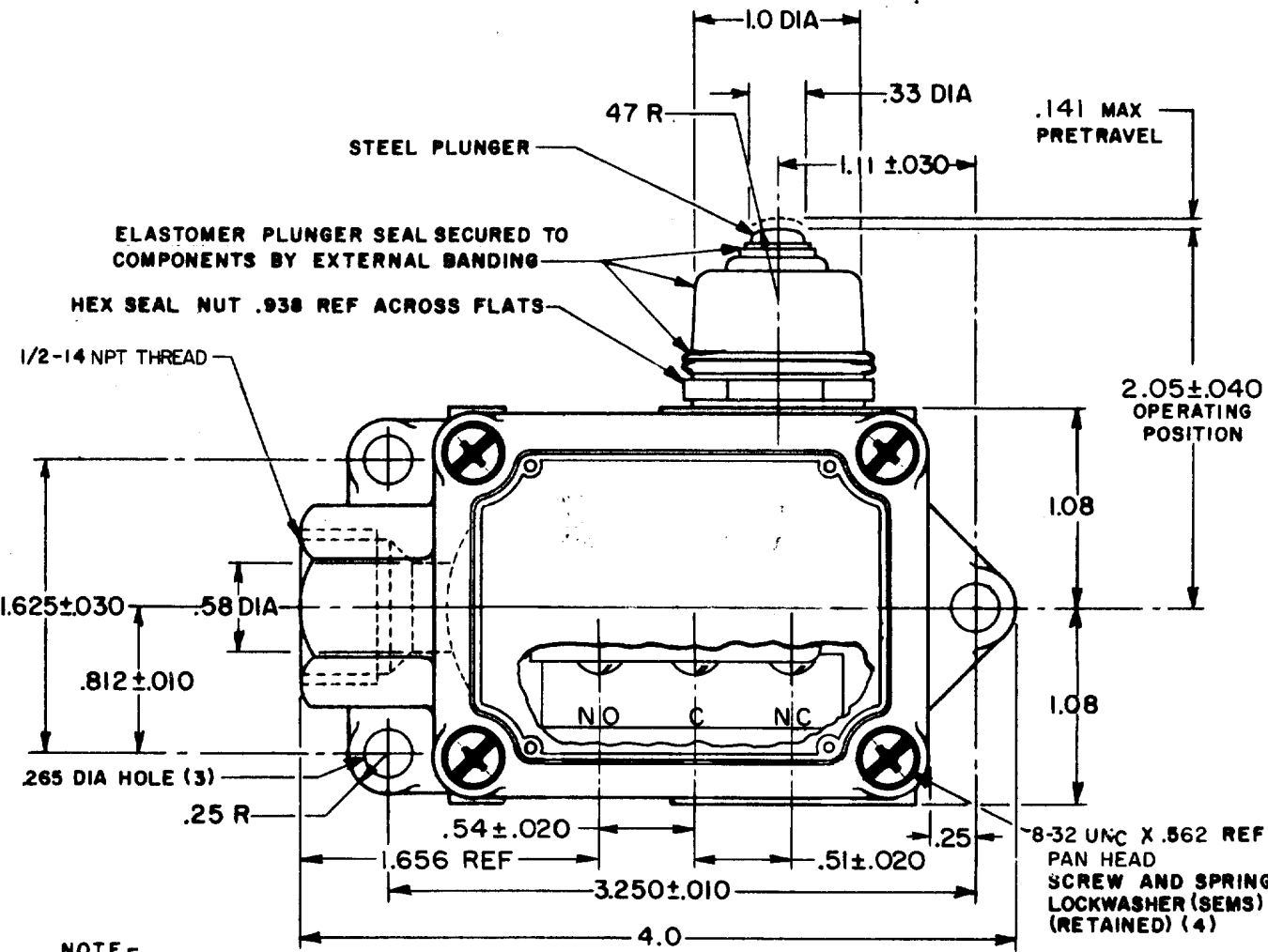
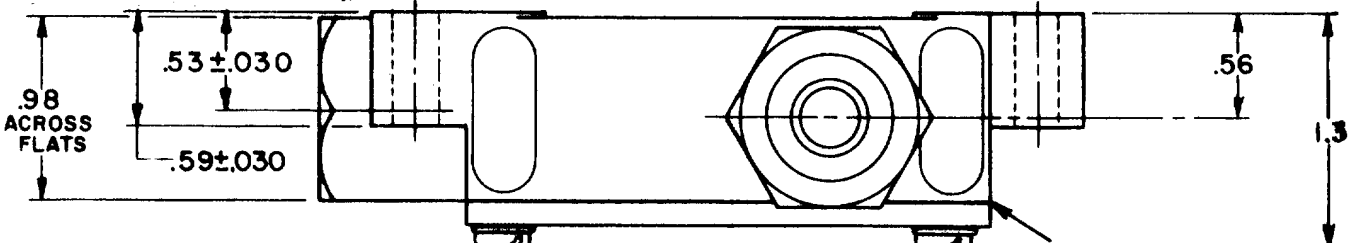
CHECK

OMW 27 FEB 59

CHECK


OMW 27 FEB 59

CHECK



NOTE -
1-4-40 NC X .125 REF ROUND HEAD TERMINAL SCREW AND LOCKWASHER (6)

THIS DRAWING COVERS A PROPRIETARY ITEM AND IS THE PROPERTY OF MICRO SWITCH, A DIVISION OF MINNEAPOLIS-HONEYWELL REGULATOR CO. THIS DRAWING IS NOT TO BE COPIED OR USED WITHOUT THE APPROVAL OF MICRO SWITCH.

CHARACTERISTICS	ELECTRICAL DATA		SCALE - FULL
OPERATING FORCE - - - - - 2 1/2 LB MAX	CONTACT ARRANGEMENT D P D T	BREAK DISTANCE .020 MIN	DO NOT SCALE PRINT
RELEASE FORCE - - - - - 1/4 LB MIN	-L59- 10 A-125 OR <u>250</u> VAC 0.3 A-125 VDC; 0.15 A-250 VDC 		UNLESS OTHERWISE SPECIFIED DIMENSIONS ARE IN INCHES
DIFFERENTIAL TRAVEL - - - - .060 MAX			TOLERANCES ARE: ONE PLACE (.0) ± .030 TWO PLACE (.00) ± .015 THREE PLACE (.000) ± .005 ANGLES ±
OVERTRAVEL - - - - - .156 MIN			WEIGHT .500 LB
SWITCH-BASIC REPLACEMENT - - DT-2R3-A7			

FO-50376